

SPECIFICATIONS

1. 4" inlet/outlet, 3" vent, Sch. 40. Plain End(No-Hub)
2. Max flow rate: 43 GPM per 1016.3 of UPC
3. Liquid capacity: 275 Gallons (36.8 cu ft)
4. Unit weight w/std. covers: 230 lbs.
5. (1) 28" H2O rated cast iron grate and (1) 23" H2O solid cast iron cover
6. Seamless molded polyethylene tank.

NOTES

1. For gravity drainage applications only. Do not use for pressure applications.
2. Seamless medium density polyethylene tank.
3. Unit supplied with built-in adapter for up to 3 1/2" of adjustability. Additional riser(s) available for deeper burial depth.
4. Cover placement allows full access to tank for proper maintenance.
5. Narrow footprint allows clearance through doorways and down stairs.

ENGINEER SPECIFICATION GUIDE

Striem sand interceptor model SI-UPC-1016 shall be lifetime guaranteed and made in USA of seamless, rotationally-molded polyethylene. Interceptor shall be furnished for above or below grade installation, with field adjustable riser system, and vent connection. Unit shall have one grate cover over inlet section and one solid cover over outlet section. Each cover shall be traffic rated.

THIRD PARTY STRUCTURAL ANALYSIS

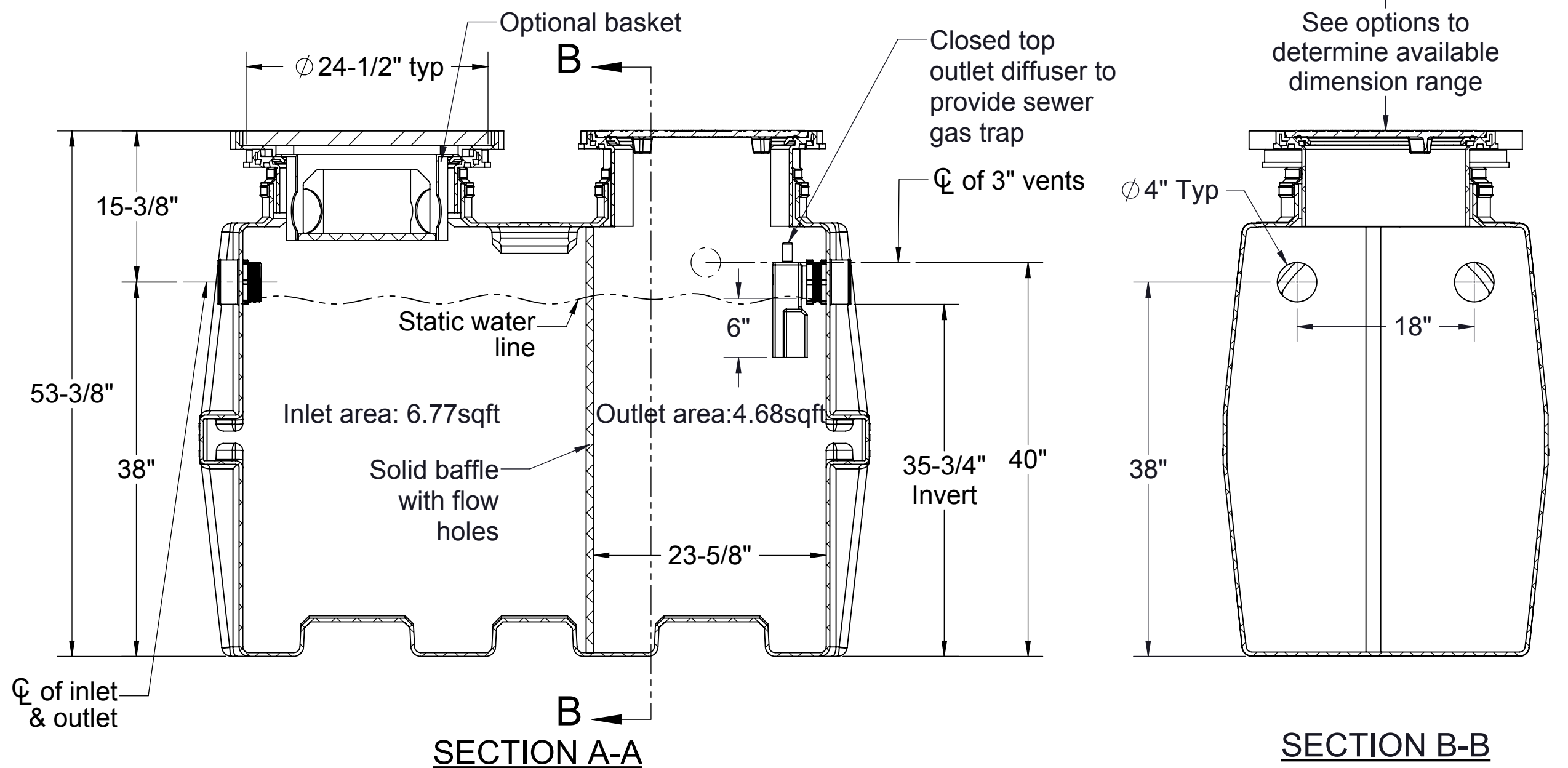
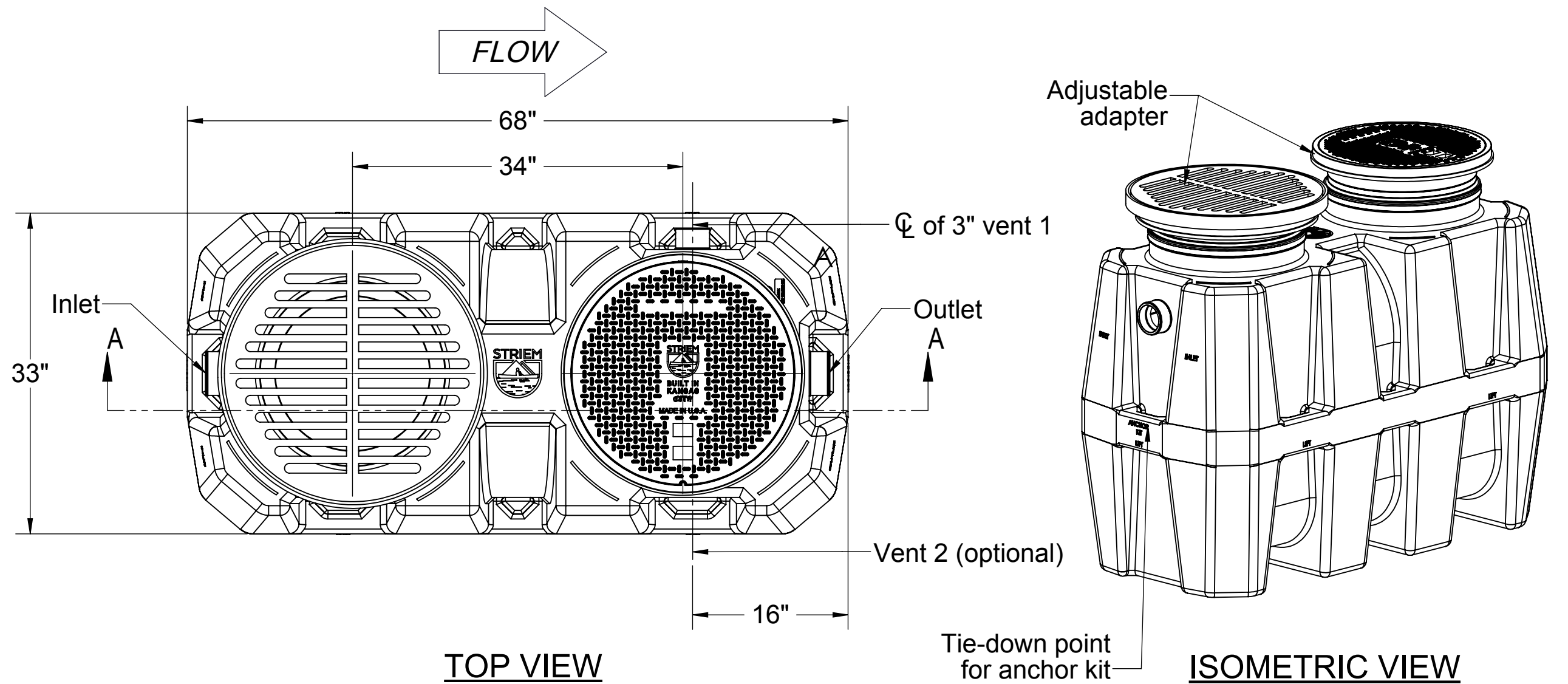
The SI-UPC-1016 has been structurally analyzed in accordance with the requirements of IBC 2012 and ASCE/SEI 7 for direct burial. The maximum burial depth and backfill material are specified in our installation instructions. The structural design has been reviewed and sealed by a professional engineer registered in the state of California. A sealed structural analysis report is available upon request.

OPTIONS

- 3M - 3" Male Thread Inlet / Outlet
- 3P - 3" Plain End SCH.40 Inlet / Outlet
- 4M - 4" Male Thread Inlet / Outlet
- 6P - 6" Plain End SCH.40 Inlet / Outlet
- 6M - 6" Male Thread Inlet / Outlet
- AK1 - High Water Anchor Kit
- 7 gallon capacity sediment basket

TeleGlide RISER OPTIONS

- SR24 (2) - >3 1/2"-22"
- LR24 (2) - >22"-37"
- SR24 (4) - >37"-41"
- SR24 (2) + LR24 (2) - >41"-56"
- LR24 (4) - >56"-70"



Signature of Approval: _____
 Company: _____
 Date of Approval: _____
 Specifying Engineer: _____
 Engineering Firm: _____

| | | | |
|--|----------------------|---------------|-------------|
| MODEL NUMBER: SI-UPC-1016 | | | |
| DESCRIPTION: 275 GALLON SAND INTERCEPTOR DESIGNED PER SPECIFICATIONS LISTED IN UPC 1016.0. | | | |
| DWG BY: RS | DATE: 2/19/19 | REV: 0 | ECO: |

SPECIFICATION SHEET

Striem
 3100 Brinkerhoff
 Kansas City, KS 66115
 Tel: 913-222-1500
 Fax: 913-291-0457
 www.striemco.com

Made in the U.S.A

PROPRIETARY AND CONFIDENTIAL

THE INFORMATION CONTAINED IN THIS DRAWING IS THE SOLE PROPERTY OF STRIEM, LLC. ANY REPRODUCTION IN PART OR AS A WHOLE WITHOUT THE WRITTEN PERMISSION OF STRIEM, LLC. IS PROHIBITED.