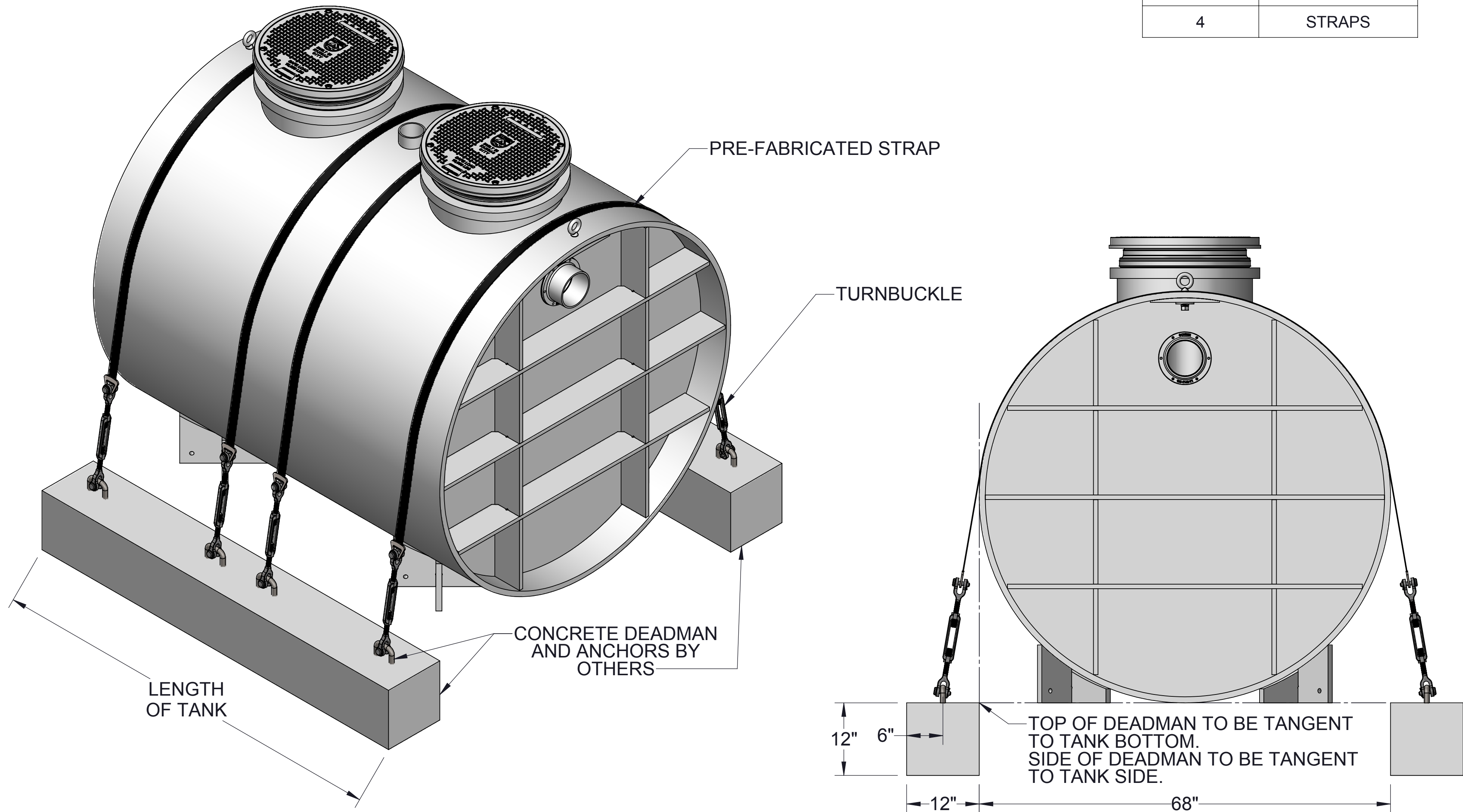


**SPECIFICATIONS**

1. DROP FORGED HOT DIPPED GALVANIZED TURNBUCKLES: 5200 LB RATED EACH.
2. PRE-FABRICATED STRAPS WITH D-RINGS : 4000 LB RATED EACH.

HDK-1 INCLUDES	
QTY	DESCRIPTION
8	TURNBUCKLES
4	STRAPS



<b>MODEL NUMBER:</b> HDK-1	
<b>DESCRIPTION:</b> HIGH WATER TABLE HOLD DOWN KIT FOR 750, 1000, AND 1500 GALLON TANKS	
<b>DWG BY:</b> RS	<b>DATE:</b> 12/21/18
<b>REV:</b>	<b>ECO:</b>

**SPECIFICATION SHEET**

**Striem**  
3100 Brinkerhoff  
Kansas City, KS 66115  
Tel: 913-222-1500  
Fax: 913-291-0457  
www.striemco.com



Made in the U.S.A

PROPRIETARY AND CONFIDENTIAL

THE INFORMATION CONTAINED IN THIS DRAWING IS THE SOLE PROPERTY OF STRIEM, LLC. ANY REPRODUCTION IN PART OR AS A WHOLE WITHOUT THE WRITTEN PERMISSION OF STRIEM, LLC. IS PROHIBITED.