

**SPECIFICATIONS**

1. 4" inlet/outlet Sch. 40. Plain End(No-Hub)
2. Liquid capacity: 125 Gallons
3. Solids capacity: 70 Gallons
4. Unit weight w/std. covers: 130 lbs.
5. H2O rated pickable cast iron cover, 16,000 lbs load.
6. Maximum operating temperature 140°F continuous.

**NOTES**

1. For gravity drainage applications only. Do not use for pressure applications.
2. 3/8" thick seamless high density polyethylene tank.
3. Unit supplied with built-in adapter for up to 3" of adjustability. Additional riser(s) available for deeper burial depth.
4. Cover placement allows full access to tank for proper maintenance.
5. Designed narrow footprint allows clearance through doorways and down stairwells.
6. Diffuser is removable to inspect or clean piping.
7. For on-the-floor or buried applications.

**ENGINEER SPECIFICATION GUIDE**

Striem Settler™ Catch Basin model CB-125-SFL shall be lifetime guaranteed and made in USA of seamless, rotationally-molded High Density Polyethylene with a minimum 3/8" uniform wall thickness. Catch Basin shall be furnished for below grade installation with a H2O rated pickable cast iron cover with 16,000 lb load capacity. Catch Basin shall be provided with outlet and inlet connection.

**OPTIONS**

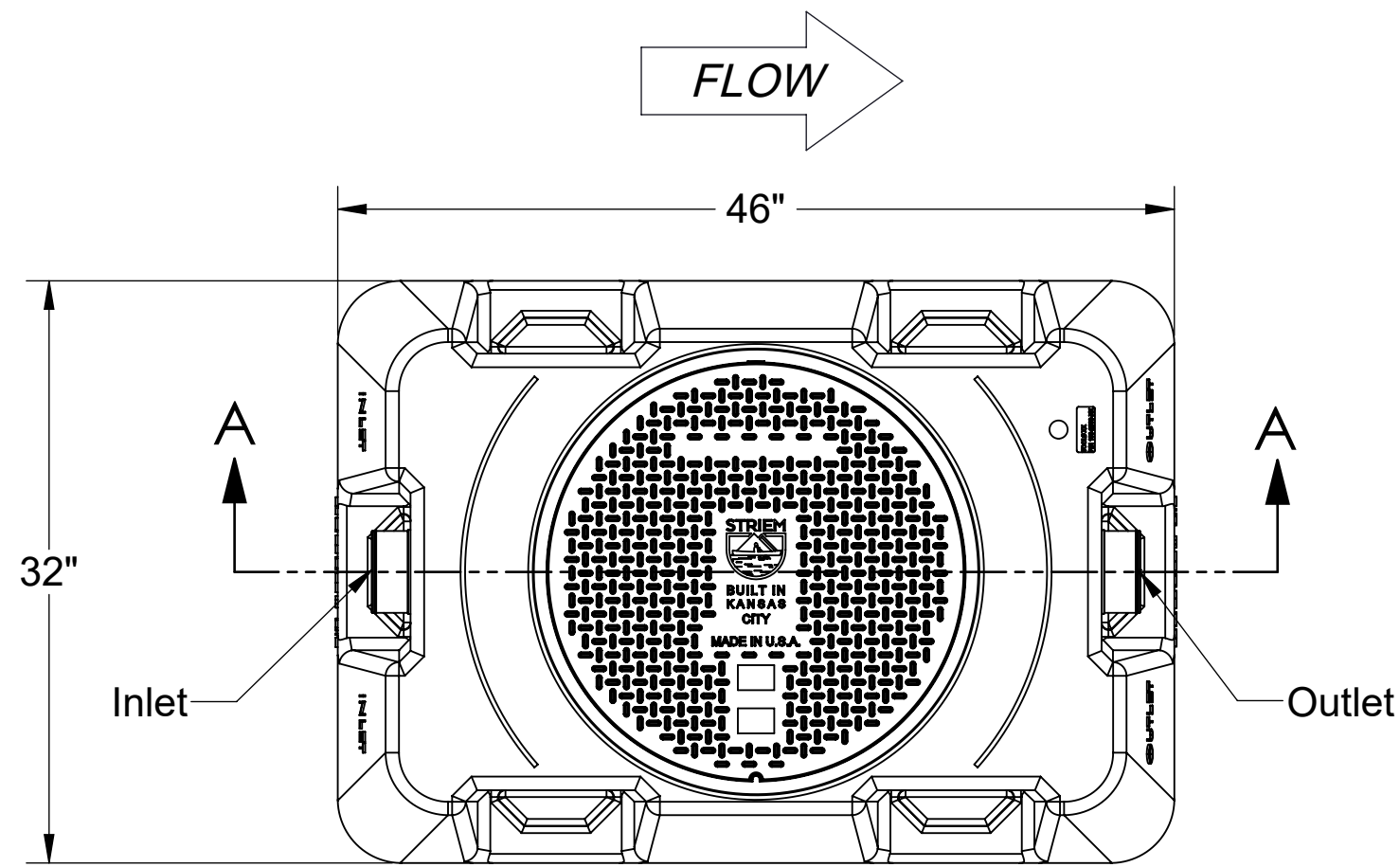
- 6P** - 6" Plain End SCH.40 Inlet / Outlet
- CC24** - Integral Membrane Clamping Collar Kit
- AK1** - High Water Anchor Kit

**PO IS NON-CANCELABLE  
ORDER IS NON-RETURNABLE**

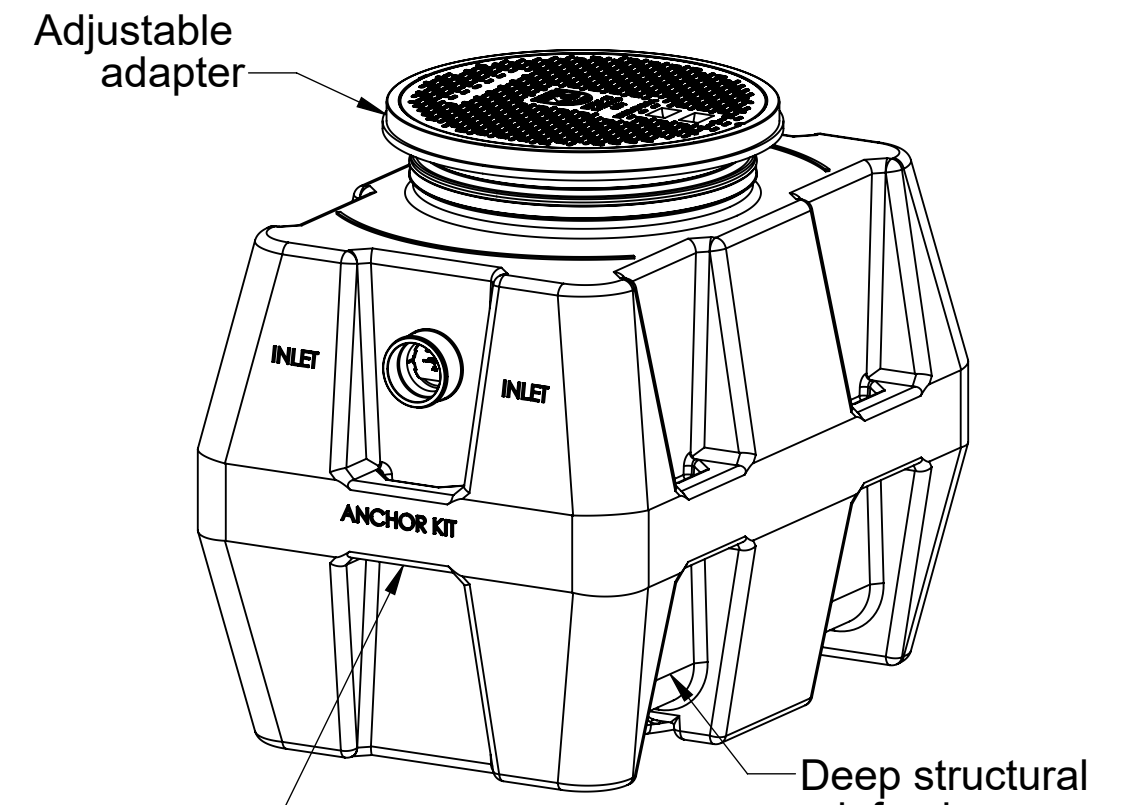
Signature of Approval: \_\_\_\_\_  
 Company: \_\_\_\_\_  
 Date of Approval: \_\_\_\_\_  
 Specifying Engineer: \_\_\_\_\_  
 Engineering Firm: \_\_\_\_\_

PROPRIETARY AND CONFIDENTIAL

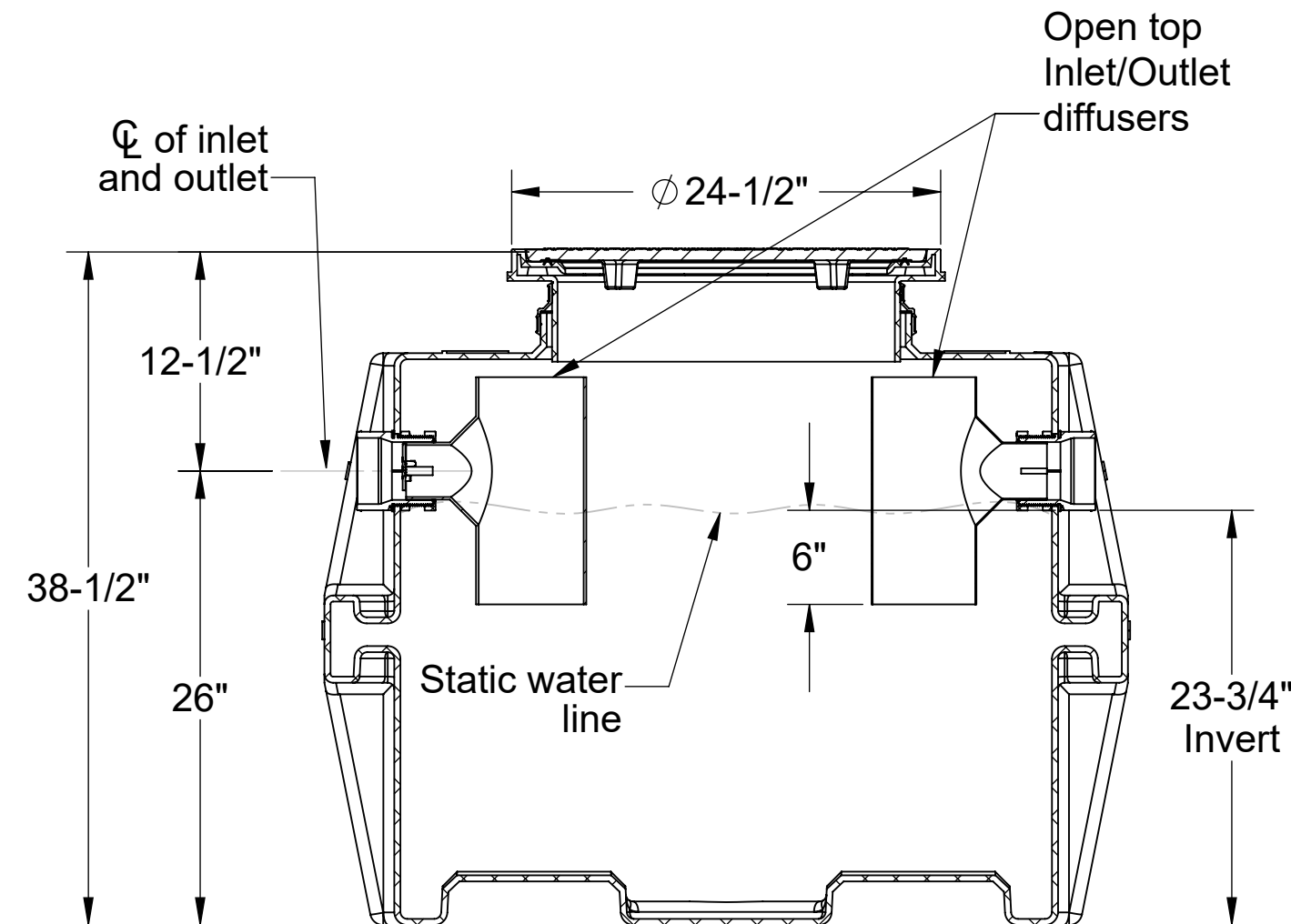
THE INFORMATION CONTAINED IN THIS DRAWING IS THE SOLE PROPERTY OF STRIEM, LLC. ANY REPRODUCTION IN PART OR AS A WHOLE WITHOUT THE WRITTEN PERMISSION OF STRIEM, LLC. IS PROHIBITED.



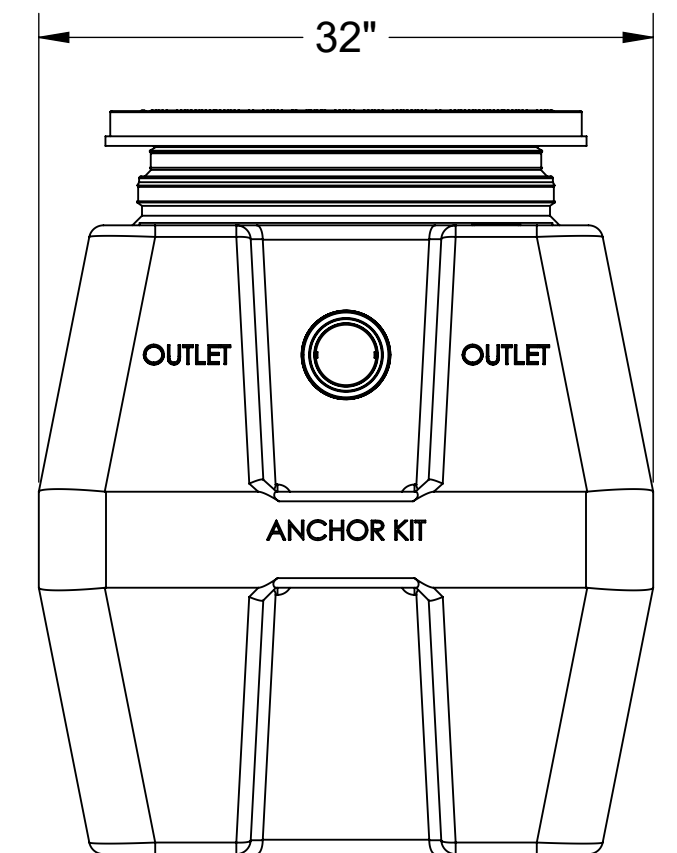
**TOP VIEW**



**ISOMETRIC VIEW**



**SECTION "A-A"**



**OUTLET END VIEW**

<b>MODEL NUMBER:</b> CB-125-SFL	
<b>DESCRIPTION:</b> SETTLER SERIES 125 GALLON LIQUID STORAGE CAPACITY POLYETHYLENE CATCH BASIN WITH H2O RATED PICKABLE CAST IRON COVER	
<b>DWG BY:</b> MJ	<b>DATE:</b> 8/31/18
<b>REV:</b> 0	<b>ECO:</b>

**SPECIFICATION SHEET**

**Striem**  
 3100 Brinkerhoff  
 Kansas City, KS 66115  
 Tel: 913-222-1500  
 Fax: 913-291-0457  
 www.striemco.com

Made in the U.S.A

