

**SPECIFICATIONS**

1. 4" inlet/outlet Sch. 40. Plain End(No-Hub)
2. Flow rate: 125 GPM\*
3. Total capacity: 125 Gallons
4. Solids capacity: 78 Gallons
5. Unit weight w/std. covers: 130 lbs.
6. H2O rated pickable cast iron cover, 16,000 lbs load.
7. Maximum operating temperature 140°F continuous.  
\*1/4" slope based on Manning's formula with friction factor, N=0.012"

**NOTES**

1. For gravity drainage applications only. Do not use for pressure applications.
2. 3/8" thick seamless polyethylene tank.
3. Unit supplied with built-in adapter for up to 3" of adjustability. Additional riser(s) available for deeper burial depth.
4. Cover placement allows full access to tank for proper maintenance.
5. Designed narrow footprint allows clearance through doorways and down stairwells.
6. Diffuser is removable to inspect or clean piping.
7. For on-the-floor or buried applications.

**ENGINEER SPECIFICATION GUIDE**

Striem Settler™ Catch Basin model CB-125-SFL shall be lifetime guaranteed and made in USA of seamless, rotationally-molded polyethylene with a minimum 3/8" uniform wall thickness. Catch Basin shall be furnished for below grade installation with a H2O rated pickable cast iron cover with 16,000 lb load capacity. Catch Basin shall be provided with outlet and inlet connection.

**THIRD PARTY STRUCTURAL ANALYSIS**

The CB-125-SFL has been structurally analyzed in accordance with the requirements of IBC 2012 and ASCE/SEI 7 for direct burial. The maximum burial depth and backfill material are specified in our installation instructions. The structural design has been reviewed and sealed by a professional engineer registered in the state of California. A sealed structural analysis report is available upon request.

**OPTIONS**

- 6P - 6" Plain end inlet / outlet
- CC24 - Integral membrane clamping collar
- AK-1 - High water table 304 stainless steel anchor kit

**TeleGlide RISER OPTIONS**

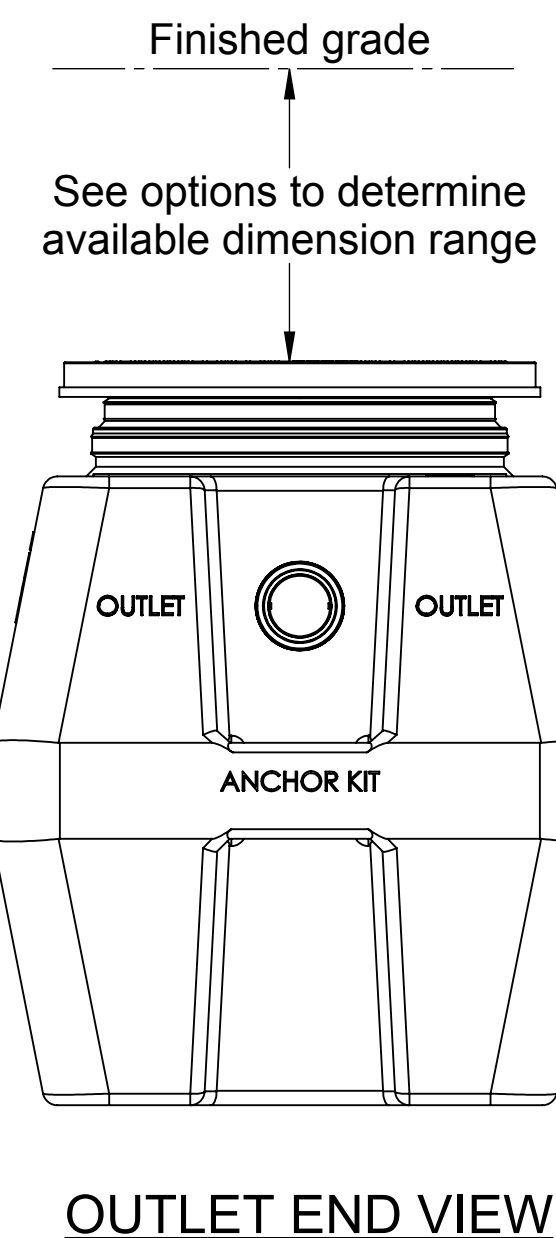
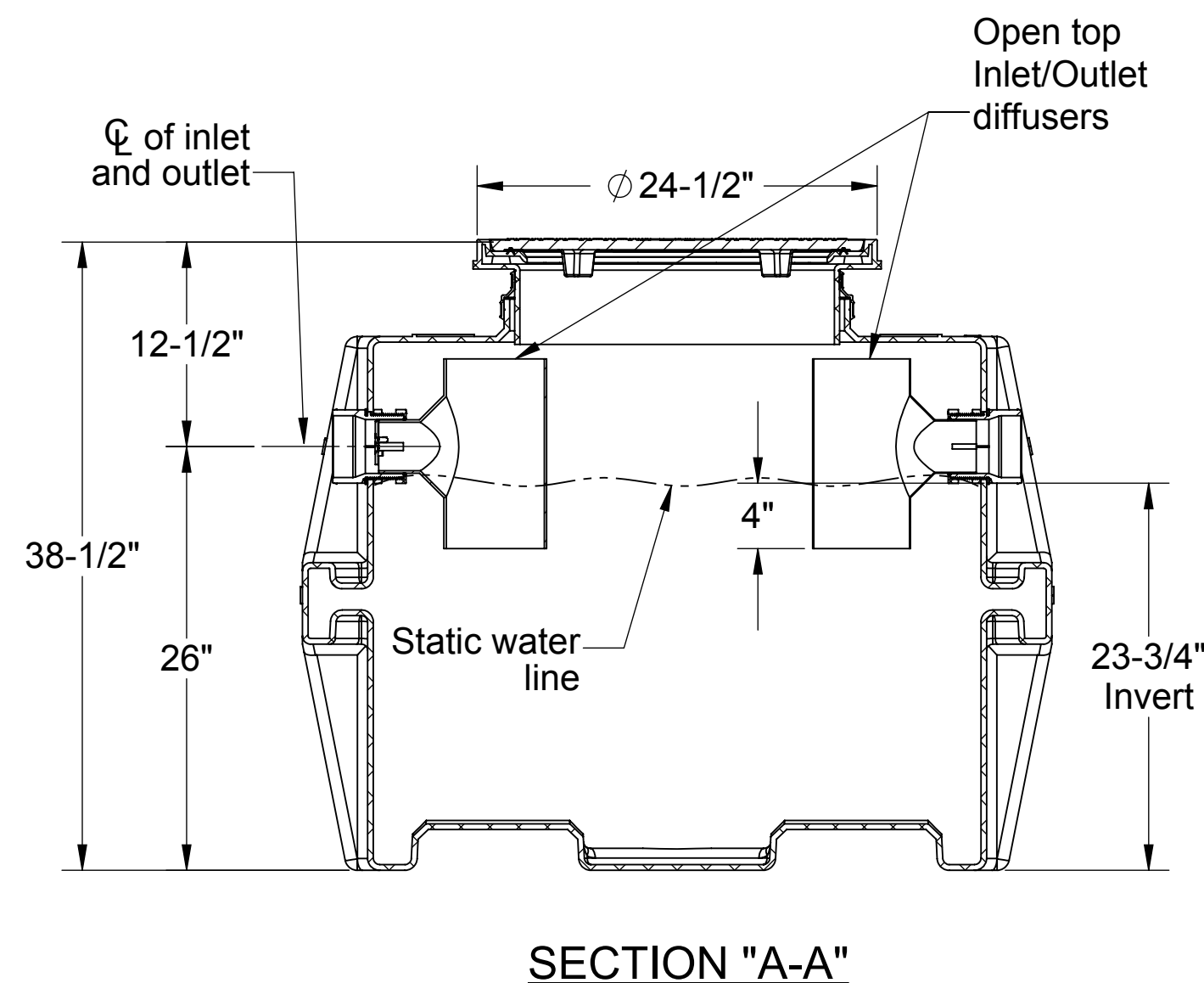
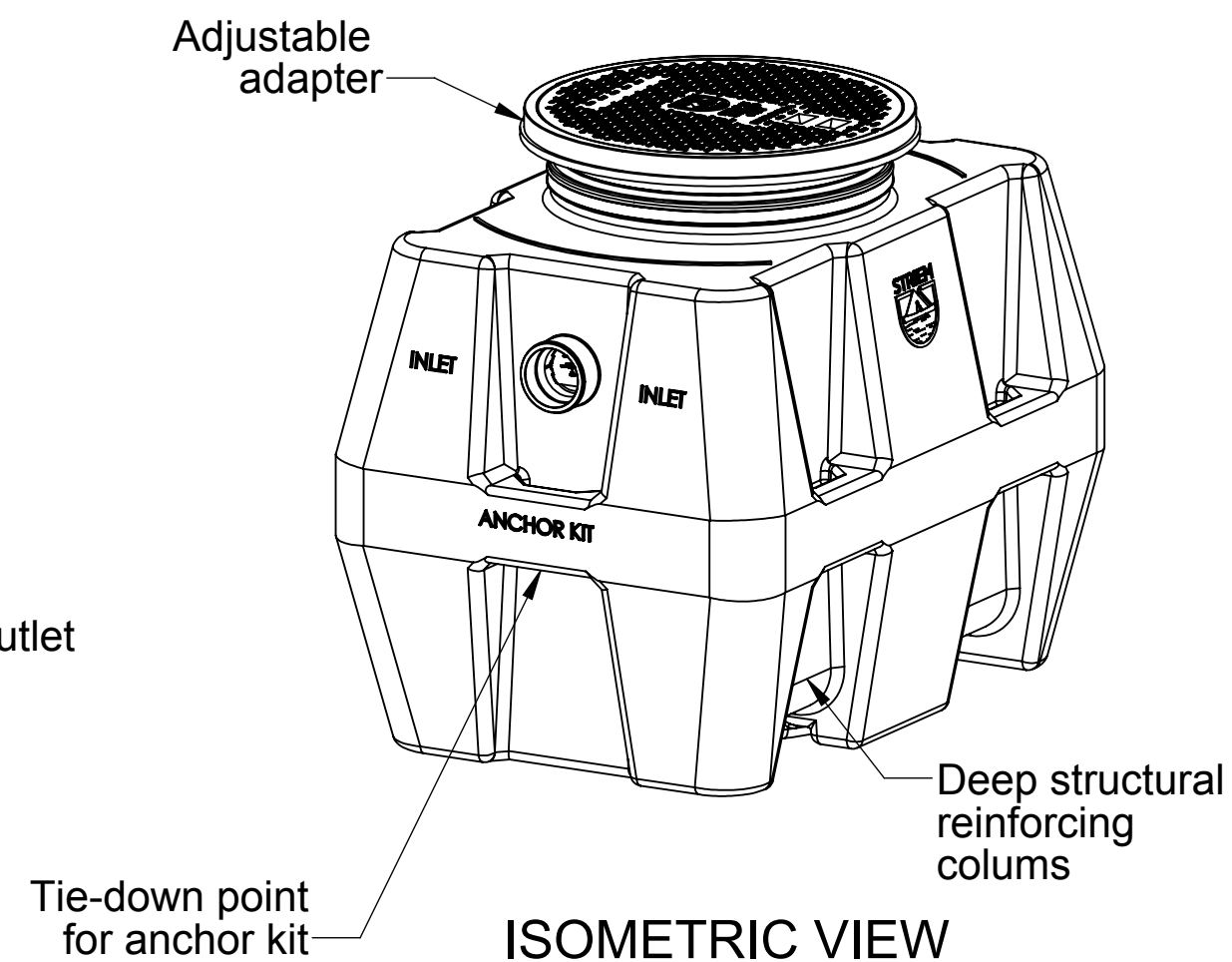
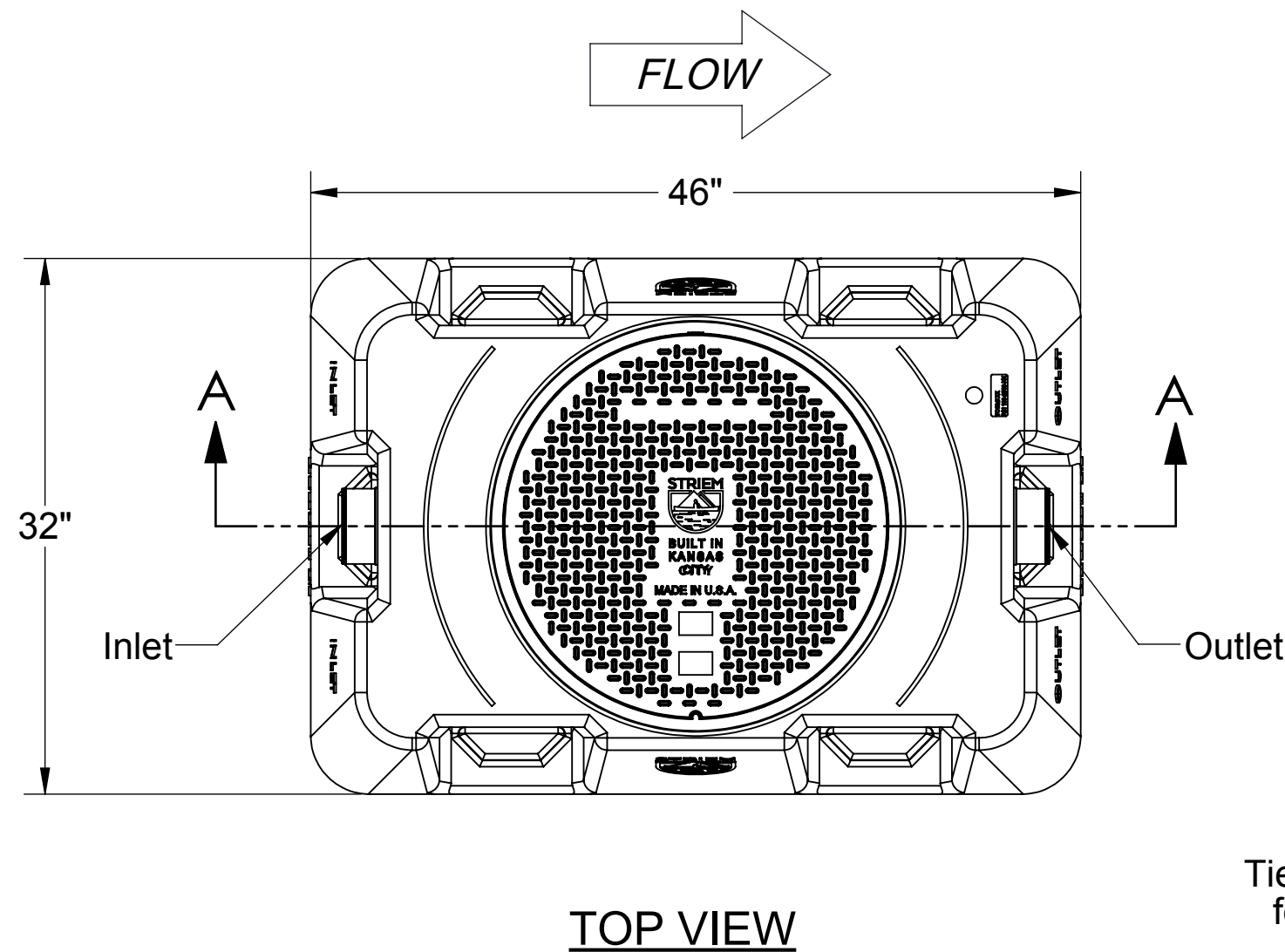
- SR24 - >3"-21"
- LR24 - >21"-36"
- SR24 - >36"-40"
- SR24 + LR24 - >40"-55"
- LR24 - >55"-69"

PO IS NON-CANCELABLE  
ORDER IS NON-RETURNABLE

Signature of Approval: \_\_\_\_\_  
Company: \_\_\_\_\_  
Date of Approval: \_\_\_\_\_  
Specifying Engineer: \_\_\_\_\_  
Engineering Firm: \_\_\_\_\_

PROPRIETARY AND CONFIDENTIAL

THE INFORMATION CONTAINED IN THIS DRAWING IS THE SOLE PROPERTY OF STRIEM, LLC. ANY REPRODUCTION IN PART OR AS A WHOLE WITHOUT THE WRITTEN PERMISSION OF STRIEM, LLC. IS PROHIBITED.



<b>MODEL NUMBER:</b> CB-125-SFL			
<b>DESCRIPTION:</b> POLYETHYLENE CATCH BASIN SOLIDS INTERCEPTOR WITH H2O RATED PICKABLE CAST IRON COVER			
<b>DWG BY:</b> RS	<b>DATE:</b> 3/5/19	<b>REV:</b> 0	<b>ECO:</b>

**SPECIFICATION SHEET**

**Striem**  
3100 Brinkerhoff  
Kansas City, KS 66115  
Tel: 913-222-1500  
Fax: 913-291-0457  
www.striemco.com

Made in the U.S.A

