

SPECIFICATIONS

1. 4" inlet/outlet Sch. 40. Plain End(No-Hub)
2. Liquid capacity: 52 Gallons
3. Solids capacity: 25 Gallons
4. Unit weight w/std. covers: 158 lbs.
5. H2O rated pickable cast iron cover, 16,000 lbs load.
6. Maximum operating temperature 140°F continuous.

NOTES

1. For gravity drainage applications only. Do not use for pressure applications.
2. 3/8" thick seamless high density polyethylene tank.
3. Unit supplied with built-in adapter for up to 3" of adjustability. Additional riser(s) available for deeper burial depth.
4. Cover placement allows full access to tank for proper maintenance.
5. Designed narrow footprint allows clearance through doorways and down stairwells.
6. Diffuser is removable to inspect or clean piping.
7. For on-the-floor or buried applications.

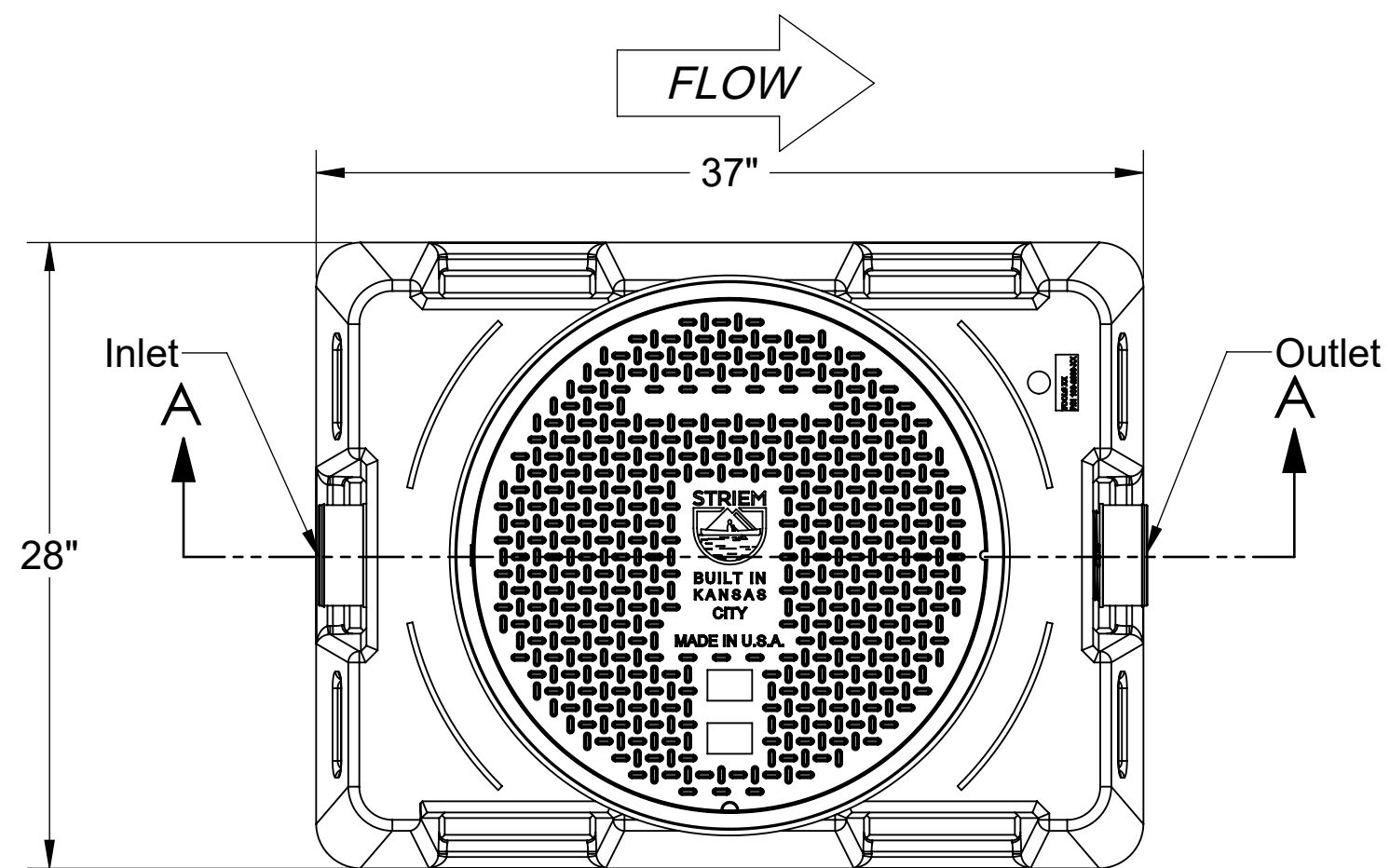
ENGINEER SPECIFICATION GUIDE

Striem Settler™ Catch Basin model CB-50-SFL shall be lifetime guaranteed and made in USA of seamless, rotationally-molded High Density Polyethylene with a minimum 3/8" uniform wall thickness. Catch Basin shall be furnished for below grade installation with a H2O rated pickable cast iron cover with 16,000 lb load capacity. Catch Basin shall be provided with outlet and inlet connection.

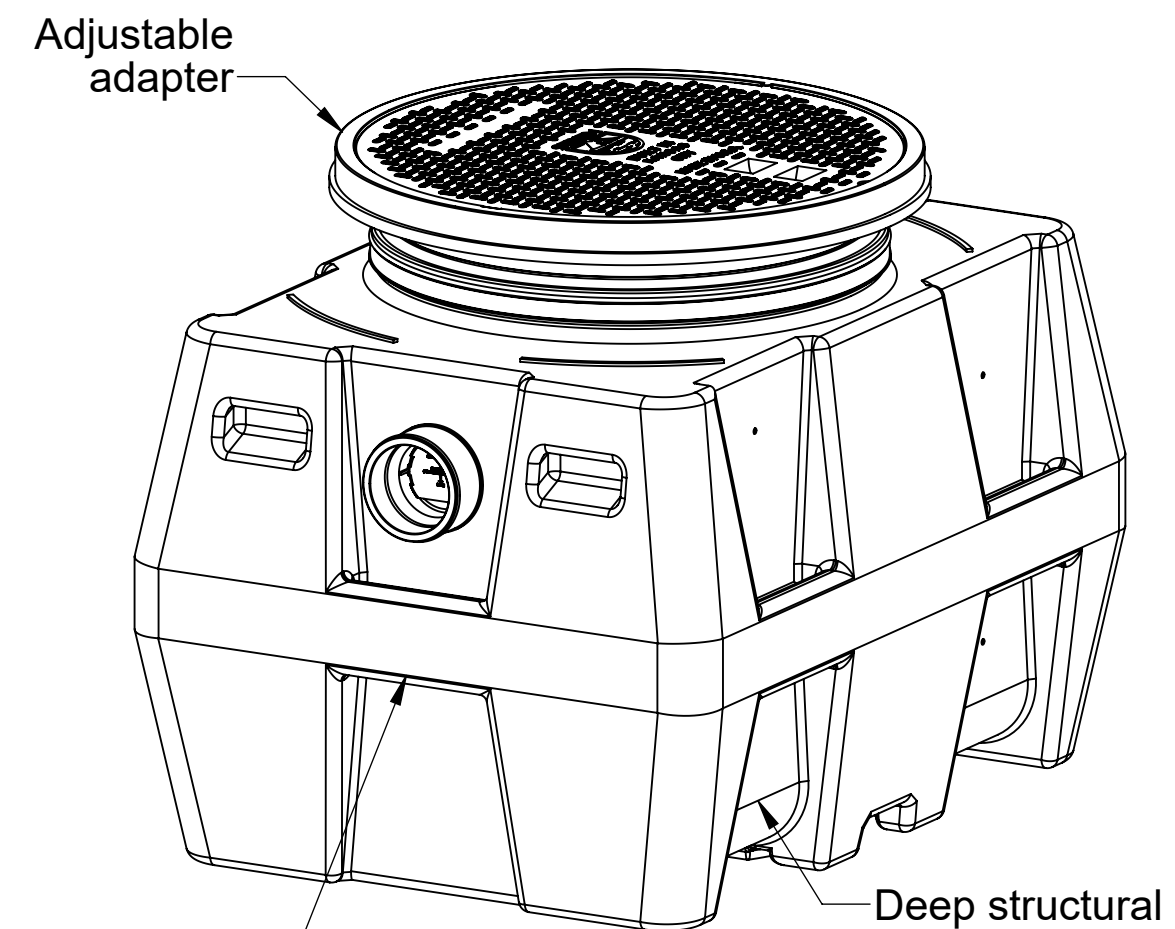
OPTIONS

- CC24** - Integral Membrane Clamping Collar Kit
- AK1** - High Water Anchor Kit

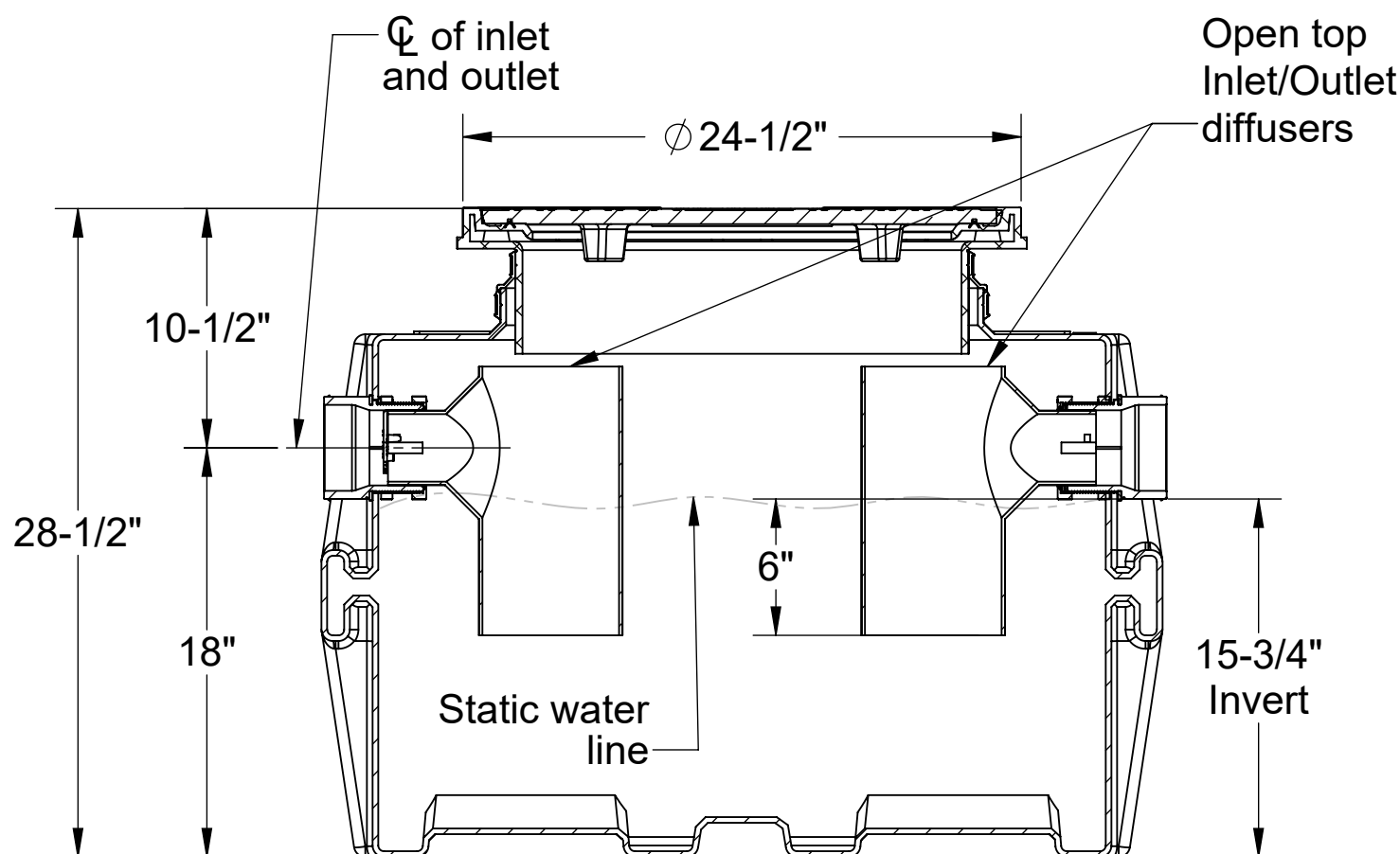
**PO IS NON-CANCELABLE
ORDER IS NON-RETURNABLE**



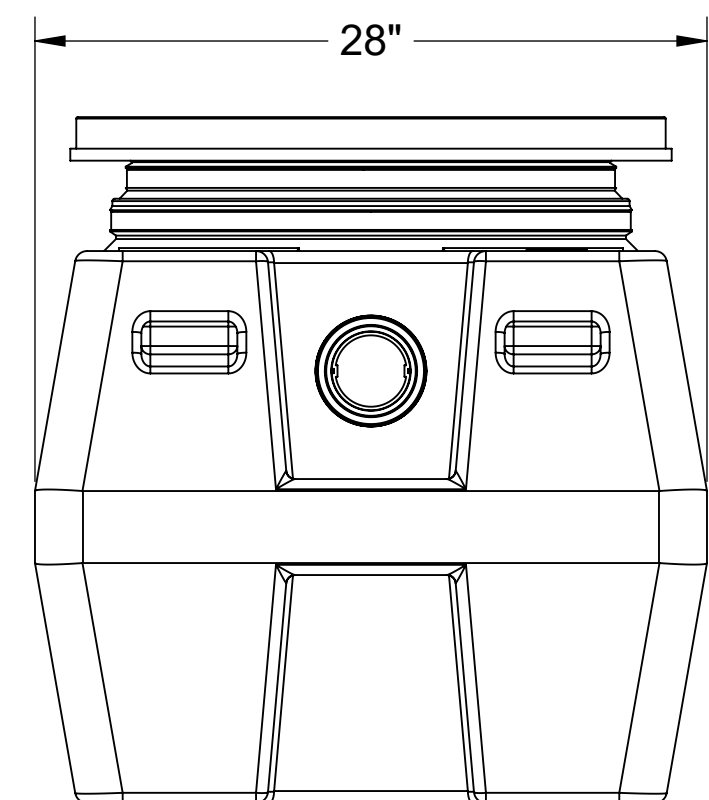
TOP VIEW



ISOMETRIC VIEW



SECTION "A-A"



OUTLET END VIEW

Signature of Approval:

Company:

Date of Approval:

Specifying Engineer:

Engineering Firm:

MODEL NUMBER:	CB-50-SFL
DESCRIPTION:	SETTLER SERIES 52 GALLON LIQUID STORAGE CAPACITY POLYETHYLENE CATCH BASIN WITH H2O RATED PICKABLE CAST IRON COVER
DWG BY:	MJ
DATE:	8/31/18
REV:	0
ECO:	

SPECIFICATION SHEET

Striem
3100 Brinkerhoff
Kansas City, KS 66115
Tel: 913-222-1500
Fax: 913-291-0457
www.striemco.com

Made in the U.S.A

PROPRIETARY AND CONFIDENTIAL

THE INFORMATION CONTAINED IN THIS DRAWING IS THE SOLE PROPERTY OF STRIEM, LLC. ANY REPRODUCTION IN PART OR AS A WHOLE WITHOUT THE WRITTEN PERMISSION OF STRIEM, LLC. IS PROHIBITED.