

SPECIFICATIONS

1. 6" Plain End Inlet, 4" Vent.
2. Liquid holding capacity: 1000 gallons (133.7 cu. ft.).
3. Unit weight with composite cover: 1400 lbs.
4. Maximum operating temperature 140°F continuous.
5. Highway rated covers: 16,000 lb. load rating.

NOTES

1. For gravity drainage applications only. Do not use for pressure applications.
2. 1" thick seamless High Density Polyethylene.
3. Unit supplied with built-in adapter for up to 6" of adjustability. Additional riser(s) available for deeper burial depth.
4. Cover placement allows full access to tank for proper maintenance.
5. For buried applications.
6. Lifting lug set for easy install.

ENGINEER SPECIFICATION GUIDE

Striem Bio Basin model BB-1000 shall be lifetime guaranteed and made in USA of seamless, molded High Density Polyethylene with minimum 1" uniform wall thickness. Tank shall be furnished for below grade installation with field adjustable riser system. Cover shall provide water/gas-tight seal and have a maximum 16,000 lbs load rating.

THIRD PARTY STRUCTURAL ANALYSIS

The BB-1000 has been structurally analyzed in accordance with the requirements of IBC 2012 and ASCE/SEI 7 for direct burial. The maximum burial depth and backfill material are specified in our installation instructions. The structural design has been reviewed and sealed by a professional engineer registered in the state of California. A sealed structural analysis report is available upon request.

OPTIONS

- 4P - 4" Plain Inlet / Outlet
- 4F - 4" Flanged Inlet / Outlet
- 4M - 4" Male Thread Inlet / Outlet
- 6P - 6" Plain Inlet / Outlet
- 6F - 6" Flanged Inlet / Outlet
- 6M - 6" Male Thread Inlet / Outlet
- AVA- 3 - Single level monitoring package.
- AVA- 4 - Multi-level monitoring package.
- Outlet with manual valve and panel.
- Outlet with electronic valve and panel.
- Low outlet connection (Specify Height: _____)
- HDK-1 - High Water Table Hold Down Kit

TeleGlide RISER OPTIONS

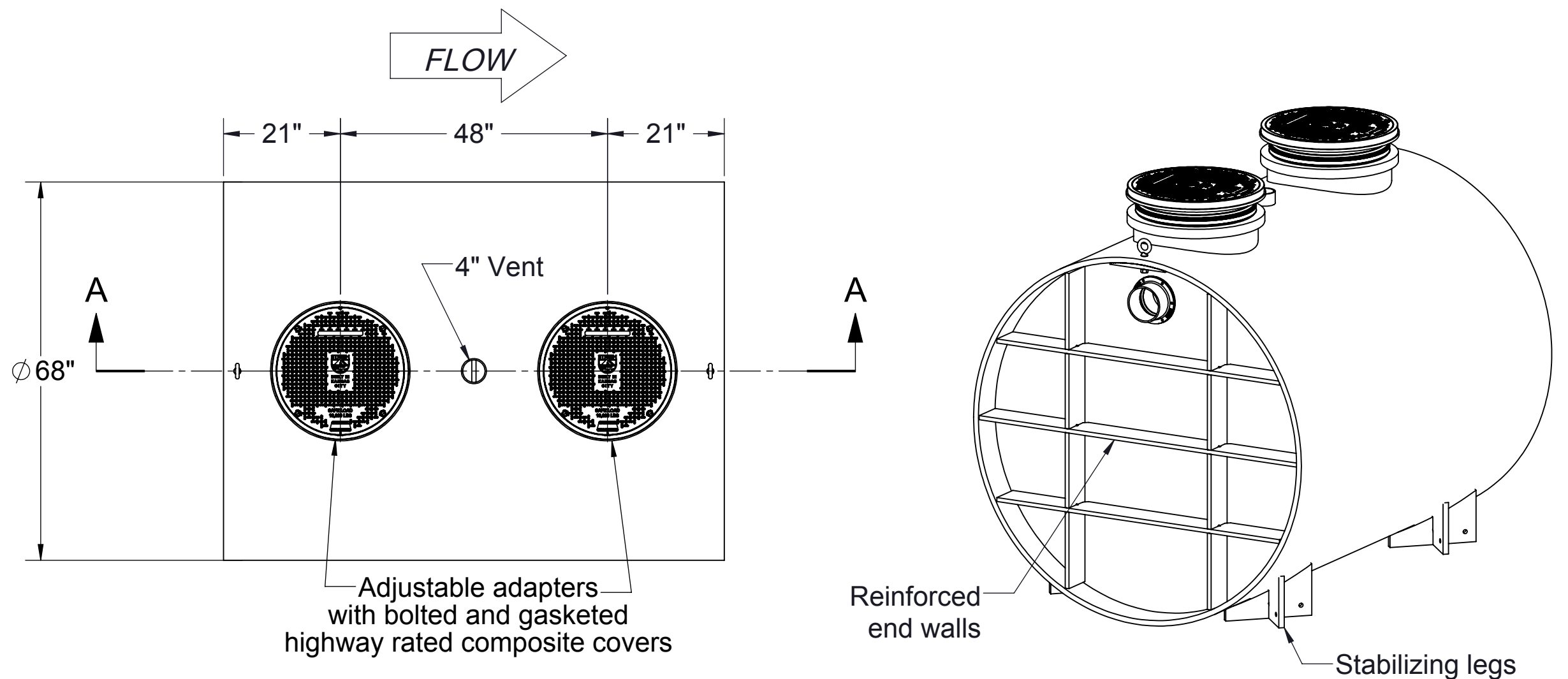
- SR24 (2) -> 6"-24"
- LR24 (2) -> 24"-39"
- SR24 (4) -> 39"-43"
- SR24 (2) + LR24 (2) -> 43"-58"
- LR24 (4) -> 58"-72"

**PO IS NON-CANCELABLE
ORDER IS NON-RETURNABLE**

Signature of Approval: _____
 Company: _____
 Date of Approval: _____
 Specifying Engineer: _____
 Engineering Firm: _____

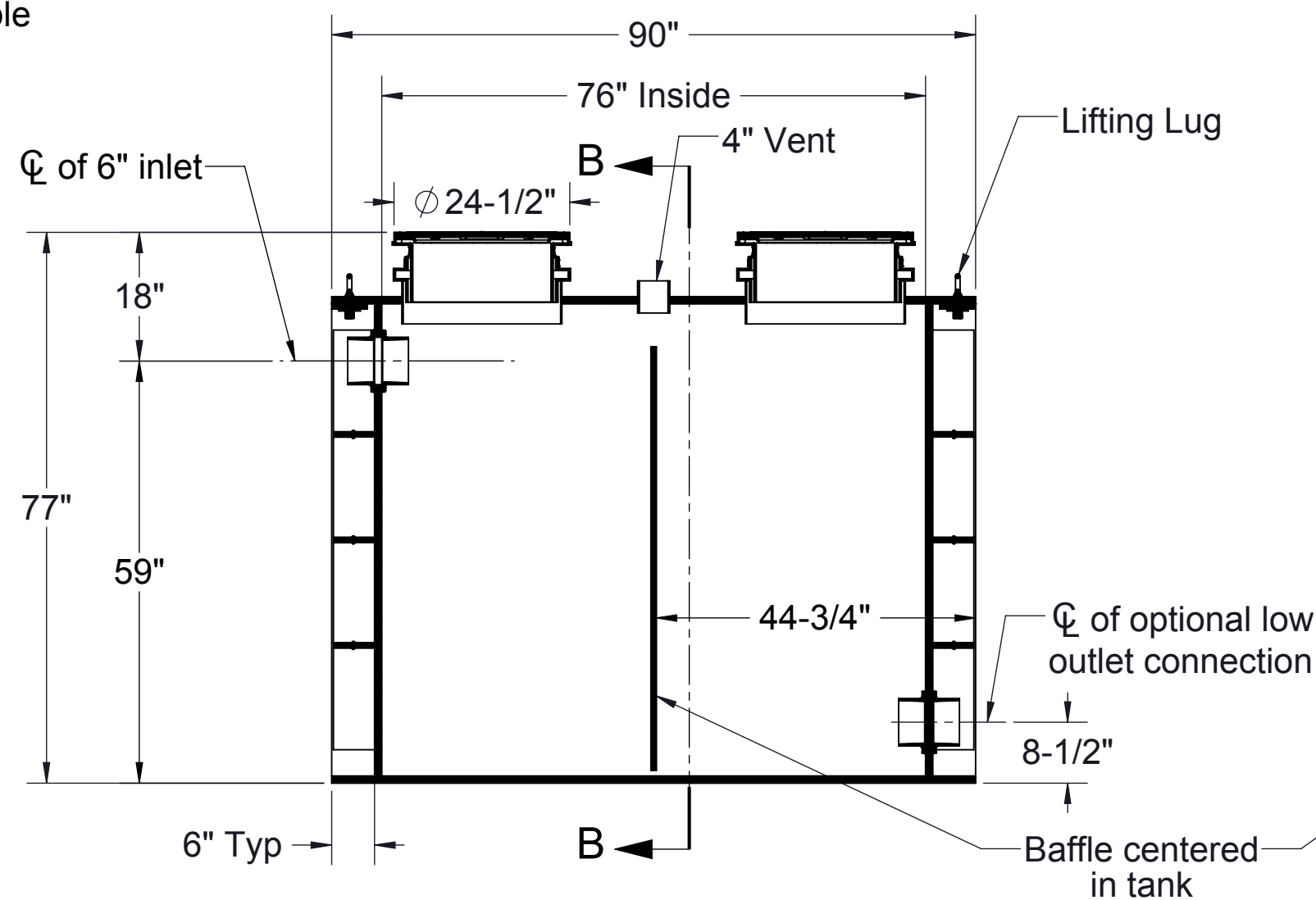
PROPRIETARY AND CONFIDENTIAL

THE INFORMATION CONTAINED IN THIS DRAWING IS THE SOLE PROPERTY OF STRIEM, LLC. ANY REPRODUCTION IN PART OR AS A WHOLE WITHOUT THE WRITTEN PERMISSION OF STRIEM, LLC. IS PROHIBITED.

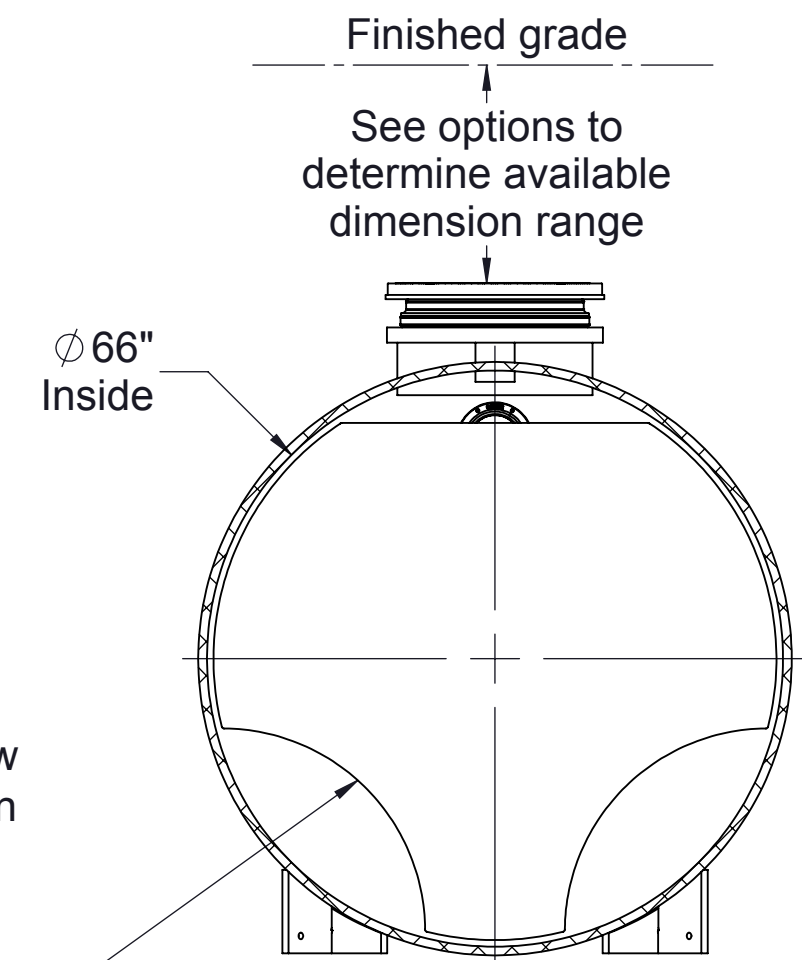


TOP VIEW

ISOMETRIC VIEW



SECTION A-A



SECTION B-B

MODEL NUMBER: BB-1000	
DESCRIPTION: POLYETHYLENE DECONTAMINATION TANK 1000 GALLON CAPACITY	
DWG BY: RS	DATE: 1/29/19
REV: 0	ECO:

SPECIFICATION SHEET

Striem
 3100 Brinkerhoff
 Kansas City, KS 66115
 Tel: 913-222-1500
 Fax: 913-291-0457
 www.striemco.com

Made in the U.S.A