

SPECIFICATIONS (NT-1000)

1. 6" inlet and outlet connections, 4" vent connection.
2. Liquid holding capacity: 1000 Gallons
3. Unit weight w/std. cover: 1,400 Pounds
4. 16,000 lb. load rated, bolted, gas/water tight composite covers.
5. Maximum operating temperature 140°F continuous.

NOTES

1. 1" thick high density polyethylene walls.
2. Unit supplied with built-in adapter(s) for up to 6" of adjustability. Additional riser(s) available for deeper burial depth.
3. Unit for below grade installation.
4. Lifting lug set included for easy install.

ENGINEER SPECIFICATION GUIDE

Striem NT Series neutralization tank model NT-1000 shall be lifetime guaranteed and Made in USA of High Density Polyethylene with minimum 1" uniform wall thickness. Tank shall be furnished with inlets, outlets, vents, cover, bracing, riser system, monitoring equipment and other modifications per jobsite-specific conditions and per engineer's specification.

THIRD PARTY STRUCTURAL ANALYSIS

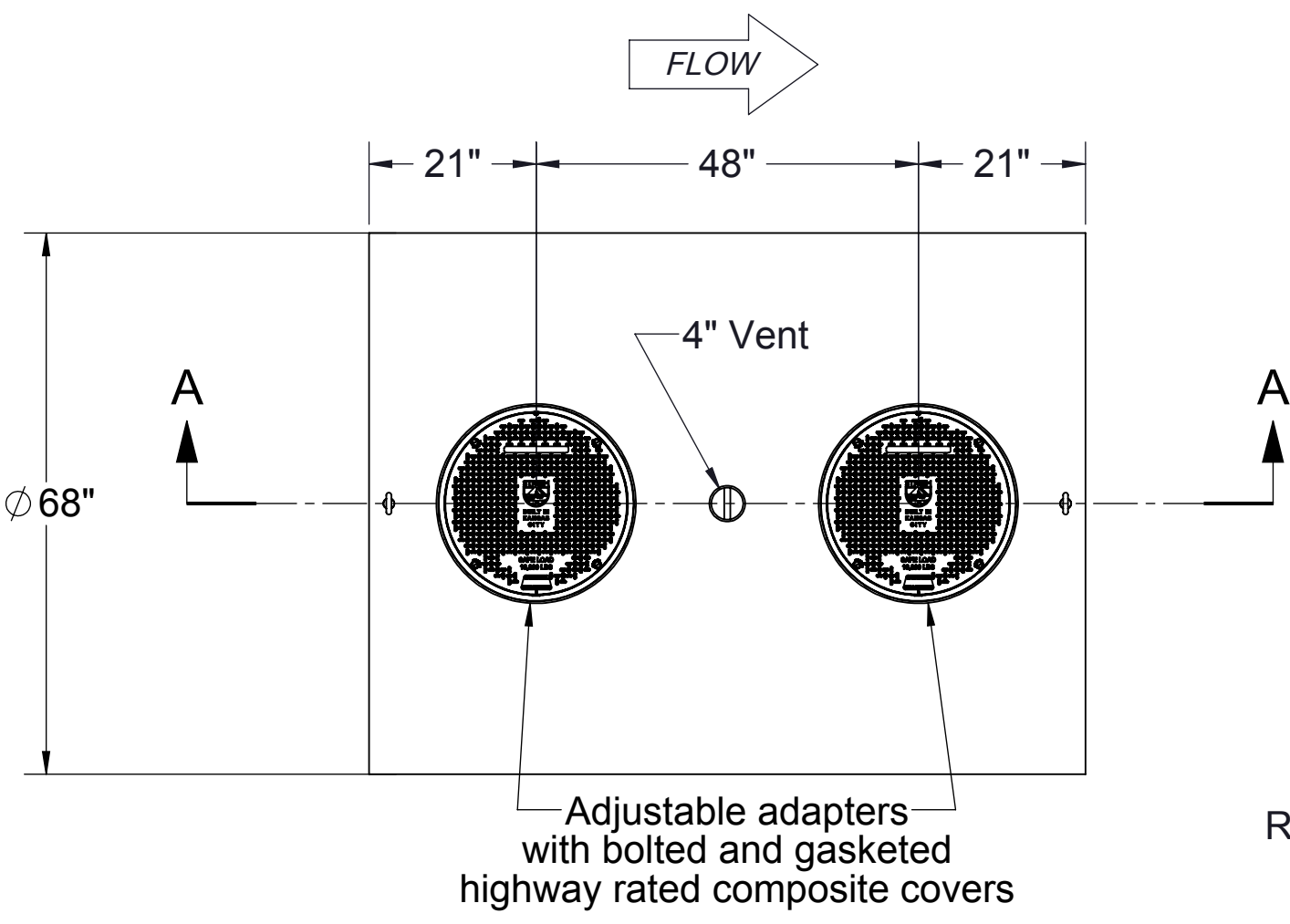
The NT-1000 has been structurally analyzed in accordance with the requirements of IBC 2012 and ASCE/SEI 7 for direct burial. The maximum burial depth and backfill material are specified in our installation instructions. The structural design has been reviewed and sealed by a professional engineer registered in the state of California. A sealed structural analysis report is available upon request.

OPTIONS

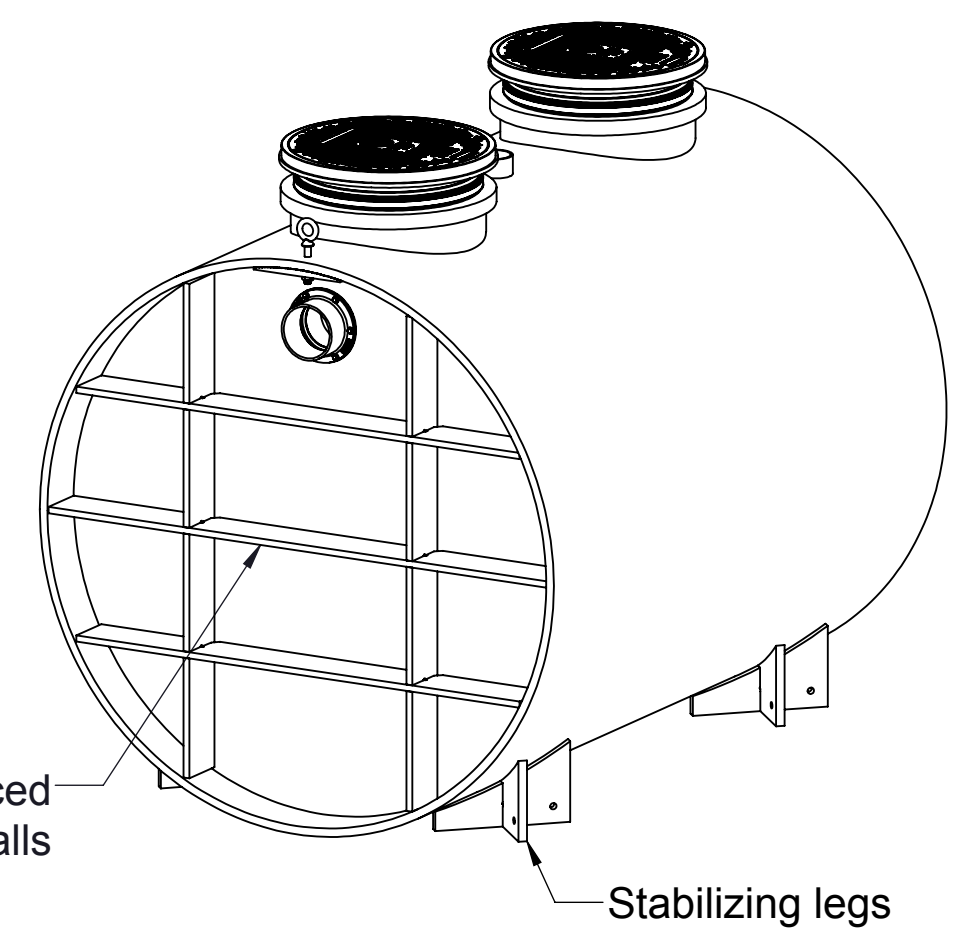
- 4P - 4" Plain End Inlet / Outlet
- 6M - 6" Male Thread Inlet / Outlet
- 8P - 8" Plain End Inlet / Outlet
- 90%+ Calcium Carbonate Limestone
- Command Center pH Monitoring Package
- HDK-1 - High Water Table Hold Down Kit

TeleGlide RISER OPTIONS

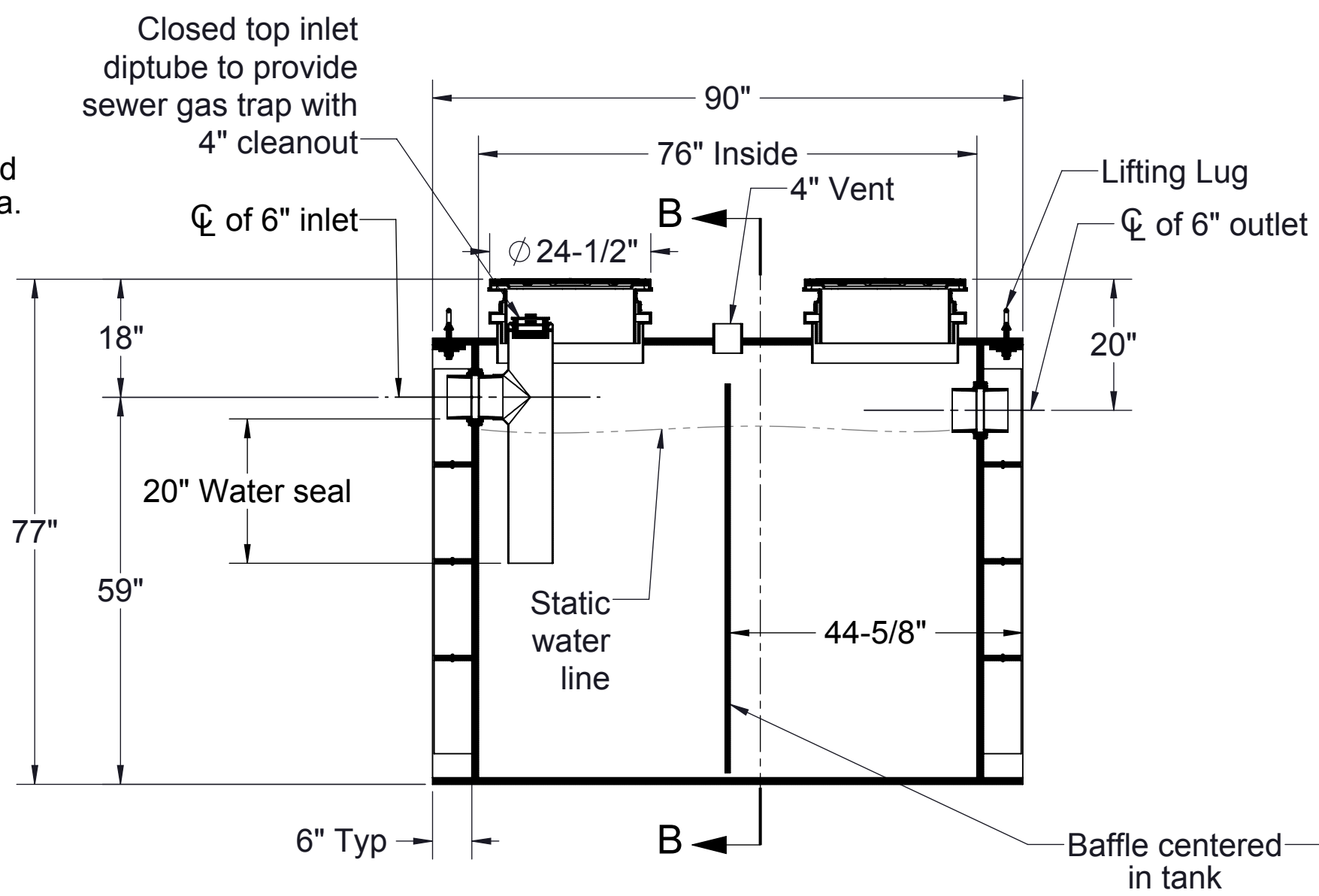
- SR24 (2) - >6"-24"
- LR24 (2) - >24"-39"
- SR24 (4) - >39"-43"
- SR24 (2) + LR24 (2) - >43"-58"
- LR24 (4) - >58"-72"



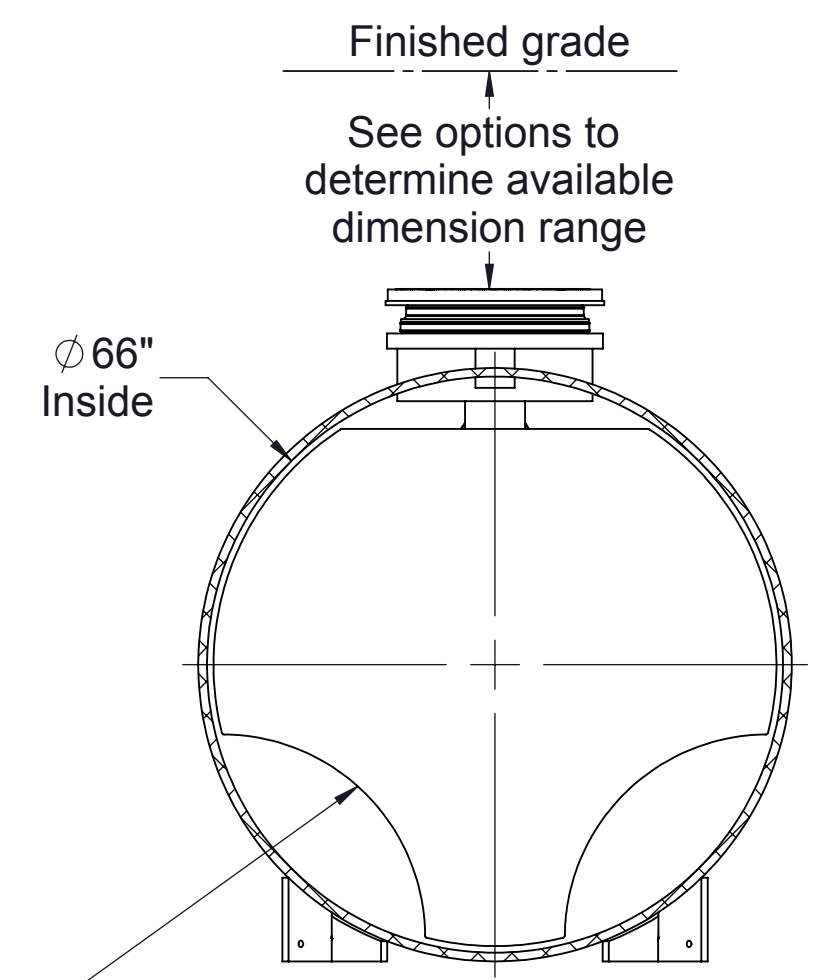
TOP VIEW



ISOMETRIC VIEW



SECTION A-A



SECTION B-B

**PO IS NON-CANCELABLE
ORDER IS NON-RETURNABLE**

Signature of Approval: _____
 Company: _____
 Date of Approval: _____
 Specifying Engineer: _____
 Engineering Firm: _____

MODEL NUMBER: NT-1000	
DESCRIPTION: BELOW GRADE CHEMICAL WASTE TANK 1000 GALLON CAPACITY	
DWG BY: RS	DATE: 1/29/19
REV: 0	ECO:

SPECIFICATION SHEET

Striem
 3100 Brinkerhoff
 Kansas City, KS 66115
 Tel: 913-222-1500
 Fax: 913-291-0457
 www.striemco.com

Made in the U.S.A

PROPRIETARY AND CONFIDENTIAL

THE INFORMATION CONTAINED IN THIS DRAWING IS THE SOLE PROPERTY OF STRIEM, LLC. ANY REPRODUCTION IN PART OR AS A WHOLE WITHOUT THE WRITTEN PERMISSION OF STRIEM, LLC. IS PROHIBITED.