

## TeleGlide Riser (16 Series) Installation Guideline

### Tools included (with riser kit)

- Silver permanent marker

### Tools Needed:

- Tape measure
- Phillips head screwdriver
- Jigsaw or
- Cordless circular saw or
- Reciprocating saw

### Riser Assembly Instructions/Steps:

1. If unit is to be buried, you will need a riser kit (sold separately). The 16 Series TeleGlide Riser System for these models allows riser heights from 2-1/8" above standard unit up to 16". Only ONE riser may be used per base unit to allow sufficient access to internal serviceable components. See Figure 5.
2. If more than 16" of riser height is needed, you will need to adjust jobsite requirements OR purchase the next available model with a 24 Series TeleGlide Riser System which allows taller riser heights.
3. Once unit is set so that pipe connections line up with jobsite piping, remove cover from unit. Fasten yellow gasketed ring to unit with hardware provided in separate riser kit. Ring flange with 4 bolt notches faces down against the unit. See Figure 1.
4. Push riser into ring until it stops (about 1 inch). See Figure 2.
5. Measure the distance from the top edge of the riser down to the finished floor. Make sure to account for any future tile work in your measurement. See Figure 2.
6. Remove riser from ring. Take measurement from step 5 from the BOTTOM of the riser upwards towards the top of the riser. Mark a line around the riser, and cut with handsaw, jig saw, or reciprocating saw. Remove debris from cut edge with scraper, utility knife, or gloves. See Figure 3.
7. Place cut riser back into ring on unit until it stops. Fasten cover from unit into riser with the same 4 bolts from the unit. Unit is ready to be water tested and backfilled. Install finished floor. See Figure 4.

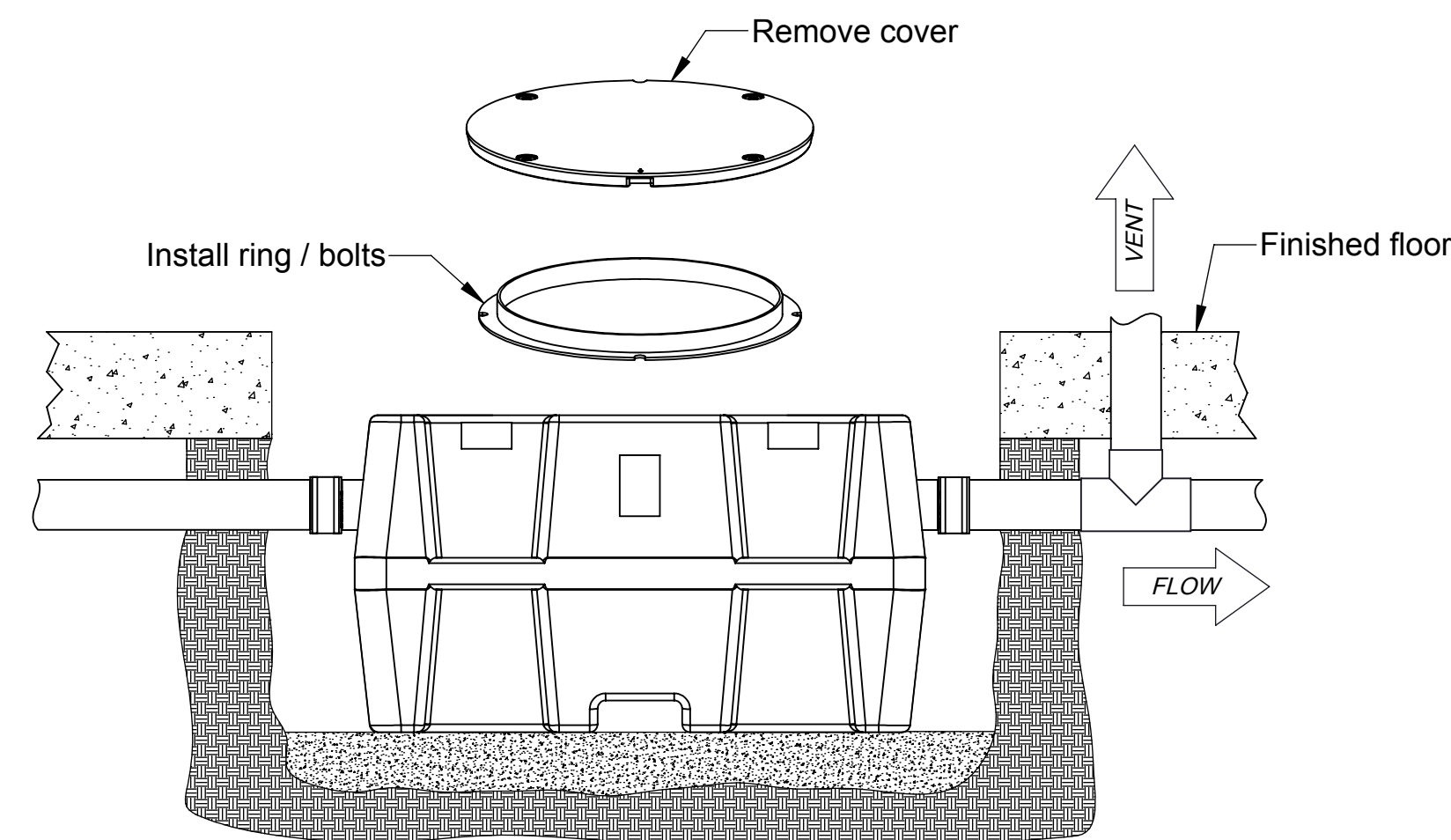
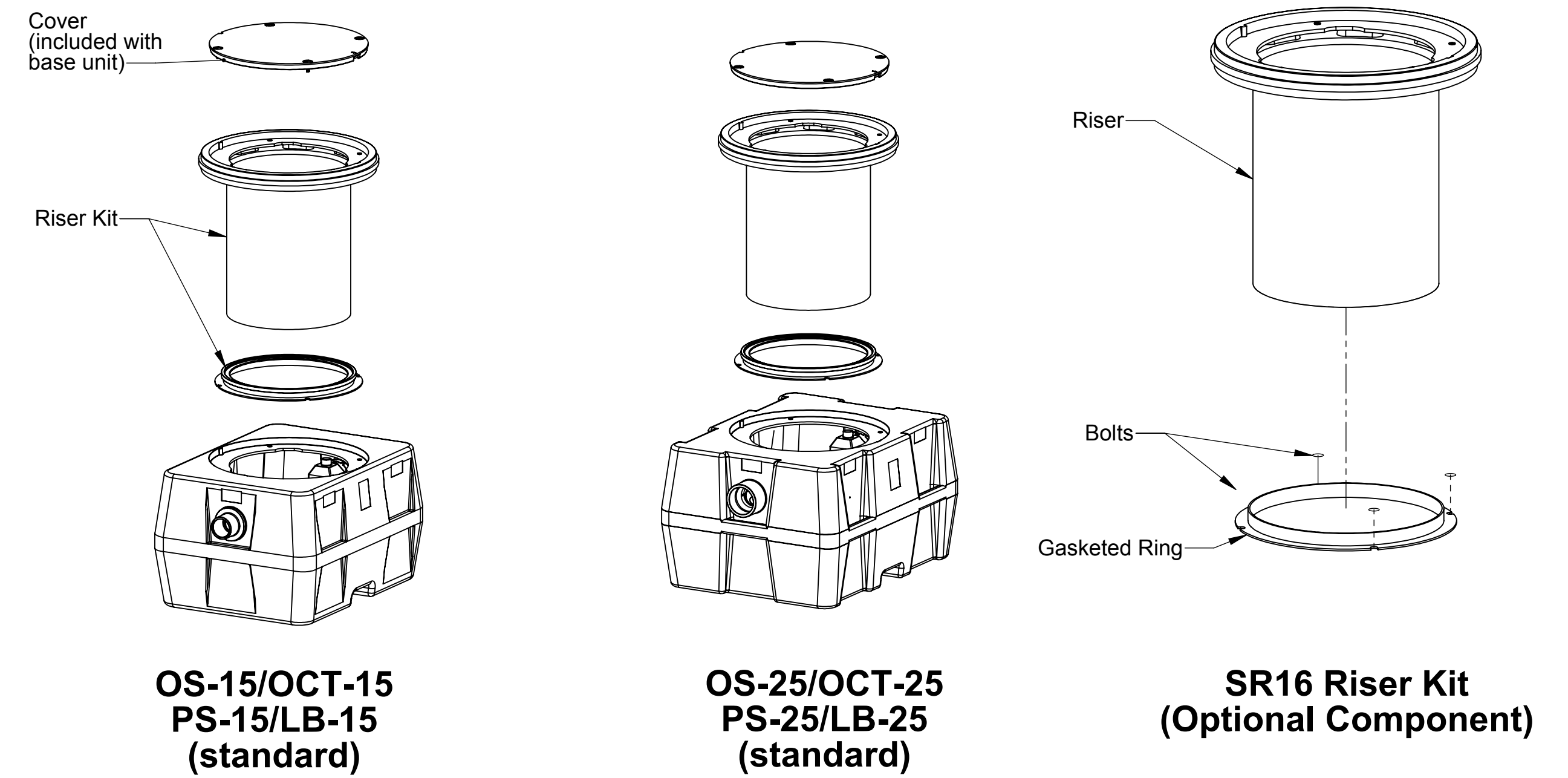


Figure 1

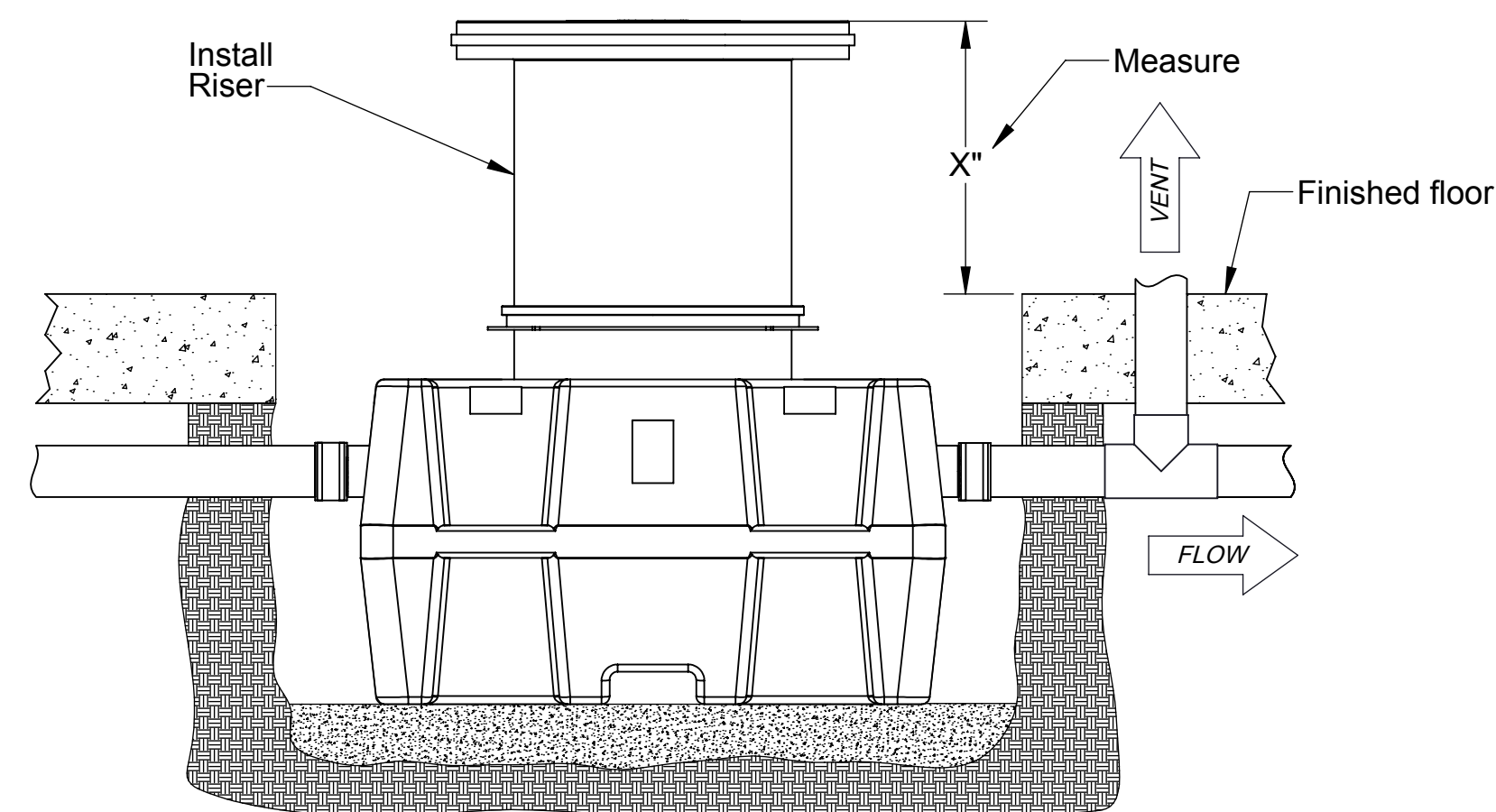


Figure 2

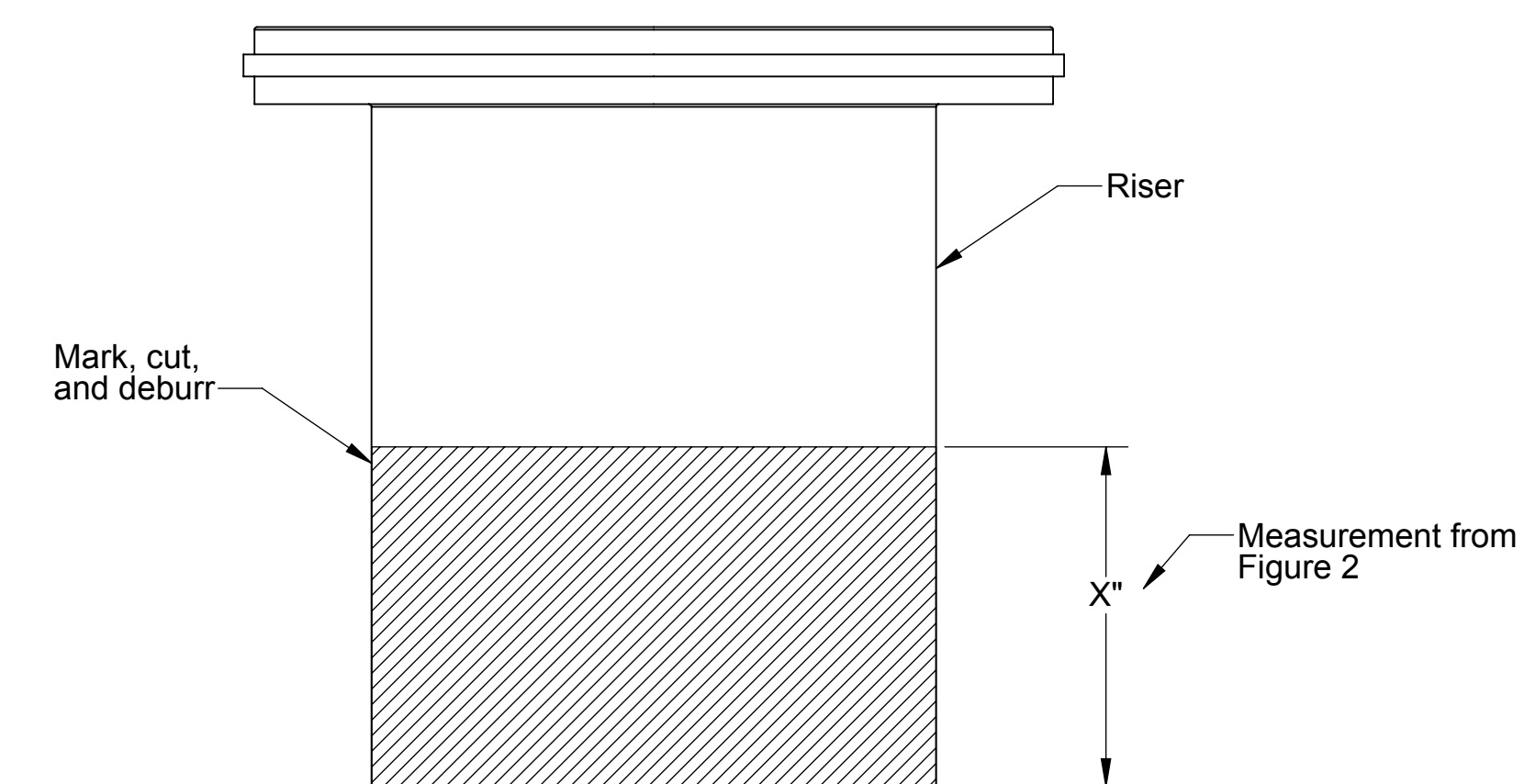


Figure 3

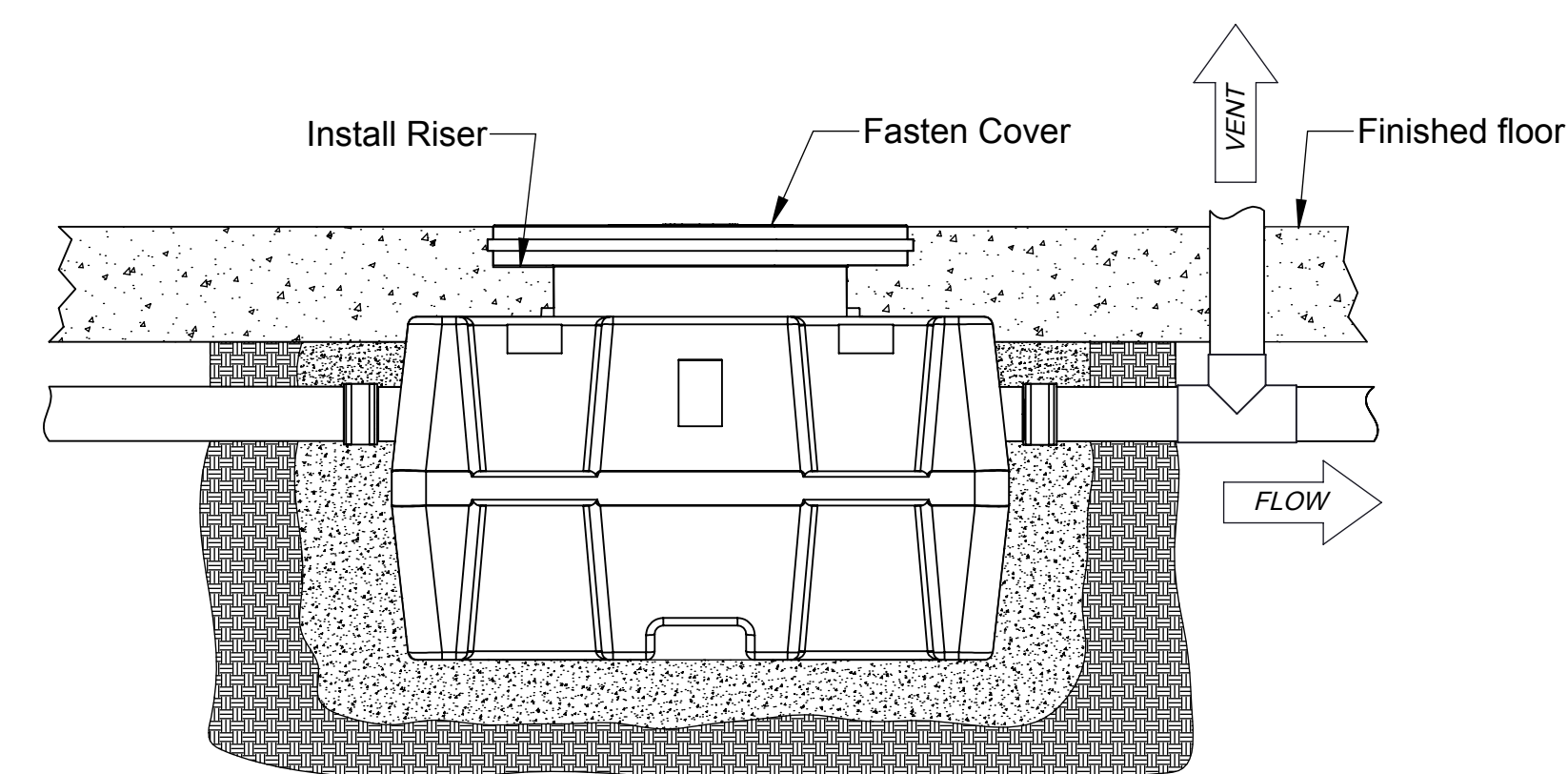
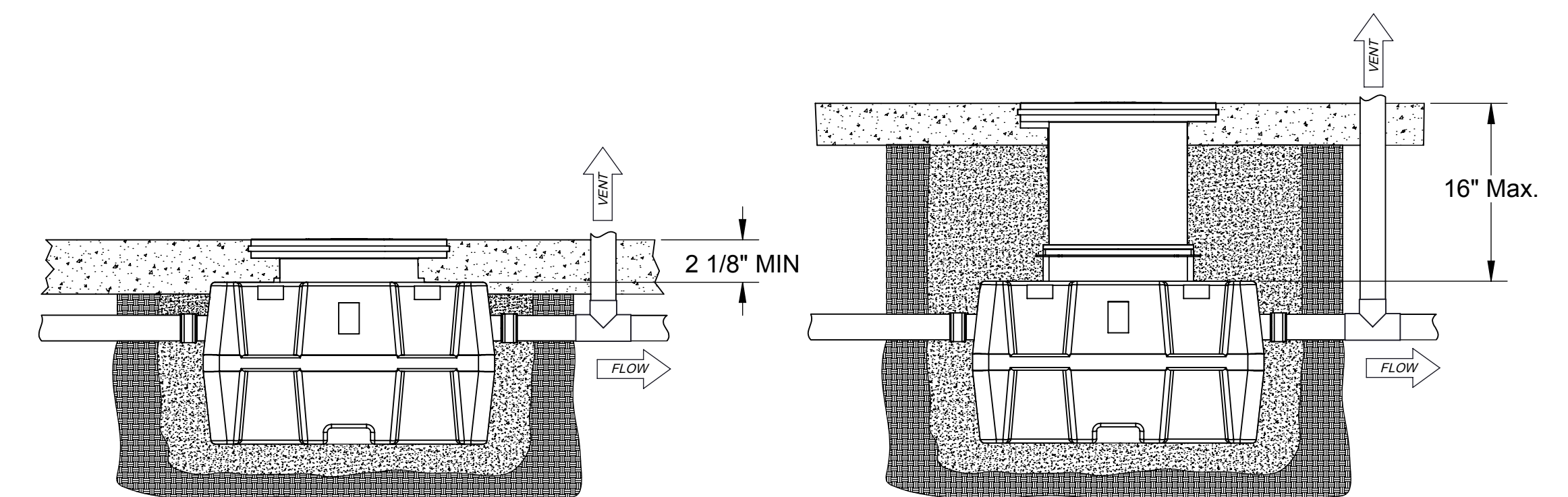


Figure 4



Minimum and maximum riser heights when units are buried.

Figure 5

### DESCRIPTION:

TELEGLIDE RISER (16 SERIES)  
INSTALLATION GUIDE

SHEET NUMBER: 1 of 1

DWG BY: RS

DATE: 10/16/17

REV:

ECO:

**Striem**  
3100 Brinkerhoff  
Kansas City, KS 66115  
Tel: 913-222-1500  
Fax: 913-291-0457  
www.striemco.com

Made in the U.S.A



PROPRIETARY AND CONFIDENTIAL  
THE INFORMATION CONTAINED IN THIS DRAWING IS THE SOLE PROPERTY OF STRIEM, LLC. ANY REPRODUCTION IN PART OR AS A WHOLE WITHOUT THE WRITTEN PERMISSION OF STRIEM, LLC IS PROHIBITED.