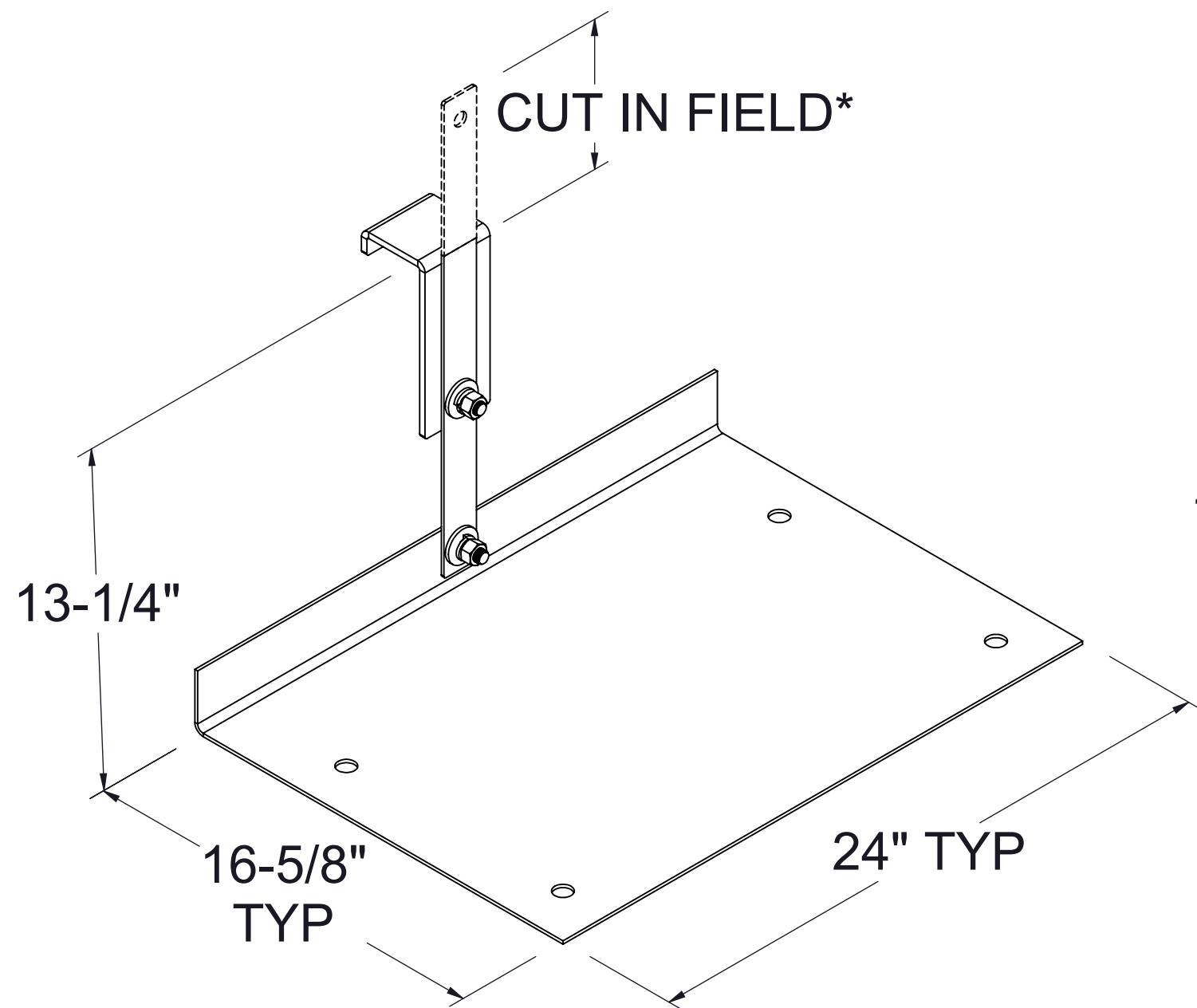
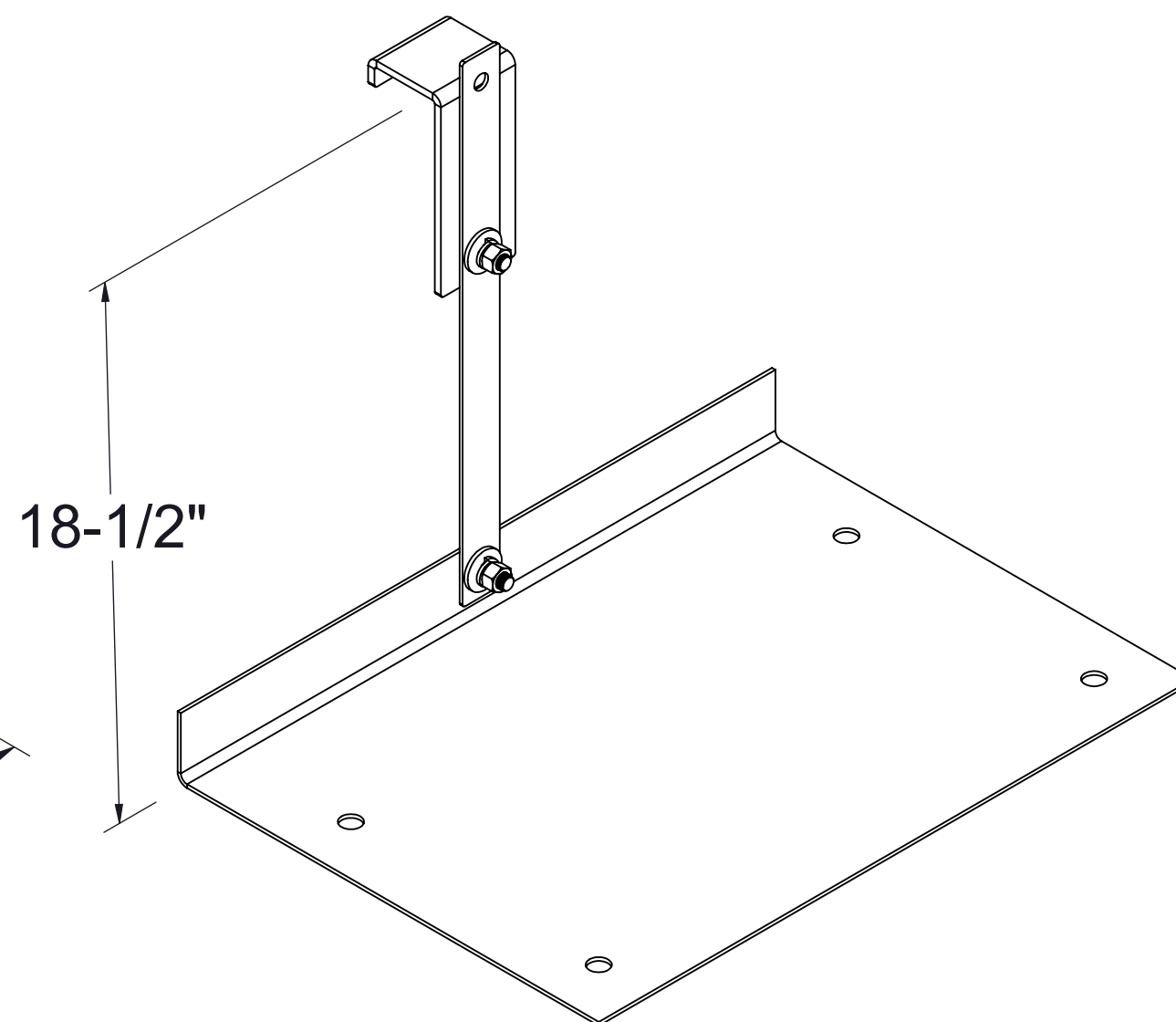


SPECIFICATIONS

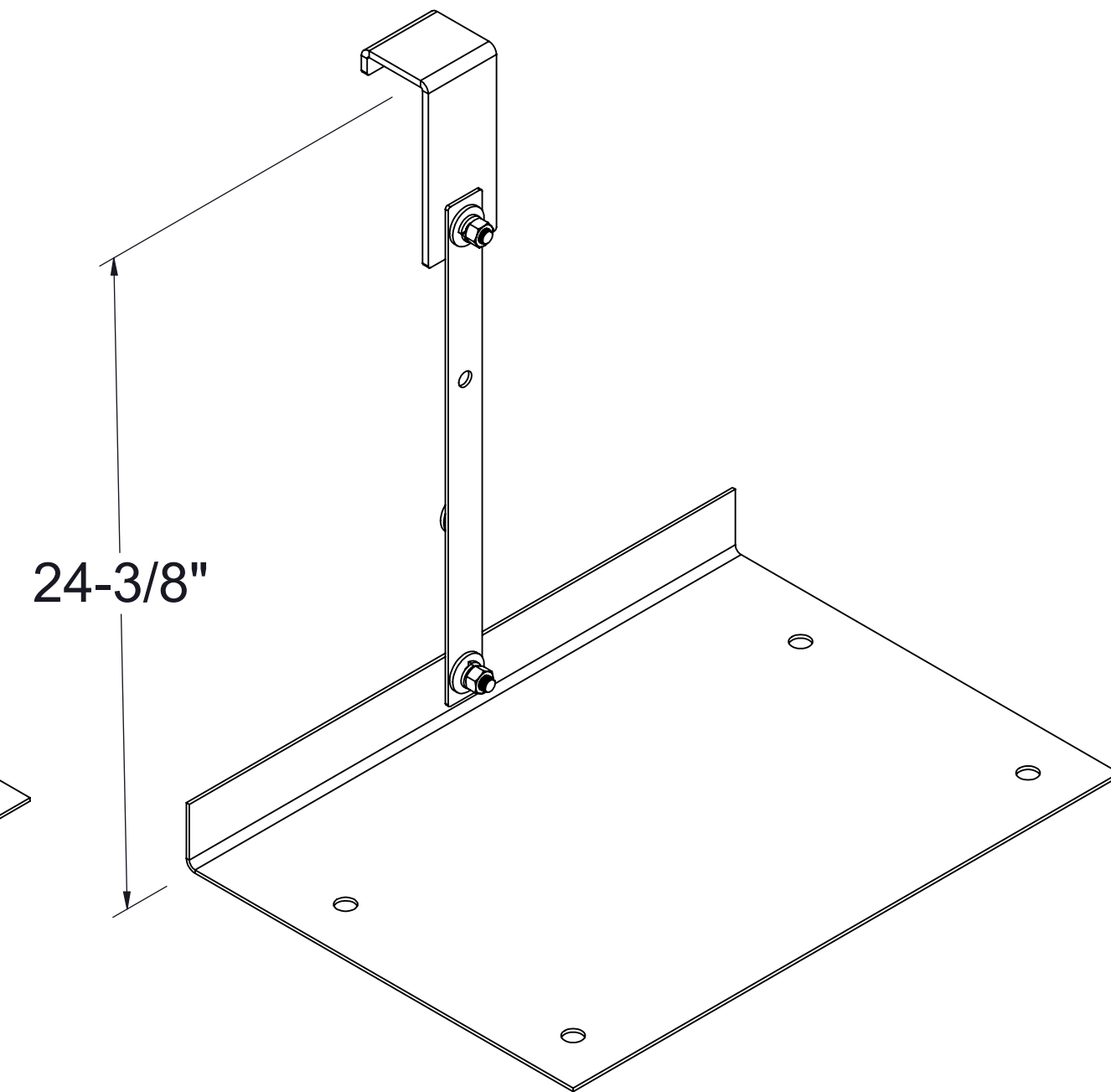
1. 11 GAUGE (304-2B) STAINLESS STEEL PLATE FOR BASE AND STRAP.
2. 1/4" x 3" (304-2B) STAINLESS STEEL PLATE FOR HOOK.
3. ALL STAINLESS STEEL FASTENERS.



CONFIGURATION FOR: OS-50



CONFIGURATION FOR: OS-75



CONFIGURATION FOR: OS-100

*To remove excess metal, use a 4" grinder with a metal cutoff wheel.

PROPRIETARY AND CONFIDENTIAL

THE INFORMATION CONTAINED IN THIS DRAWING IS THE SOLE PROPERTY OF STRIEM, LLC. ANY REPRODUCTION IN PART OR AS A WHOLE WITHOUT THE WRITTEN PERMISSION OF STRIEM, LLC. IS PROHIBITED.

MODEL NUMBER: AK-1	
DESCRIPTION: HIGH WATER TABLE ANCHOR KITS	
DWG BY: MJ	DATE: 11/12/18
REV:	ECO:

SPECIFICATION SHEET

Striem
3100 Brinkerhoff
Kansas City, KS 66115
Tel: 913-222-1500
Fax: 913-291-0457
www.striemco.com

Made in the U.S.A

