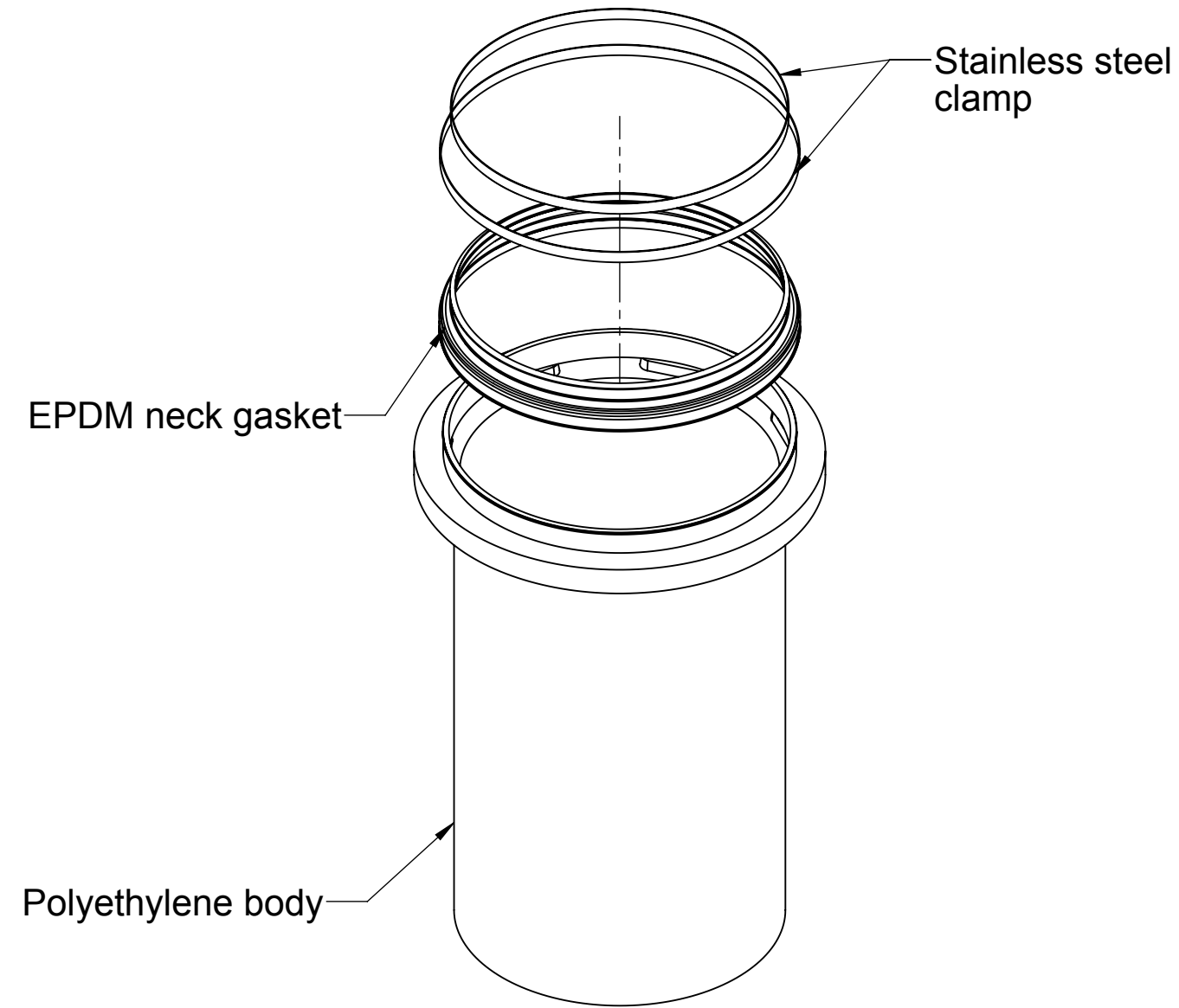


**SPECIFICATIONS**

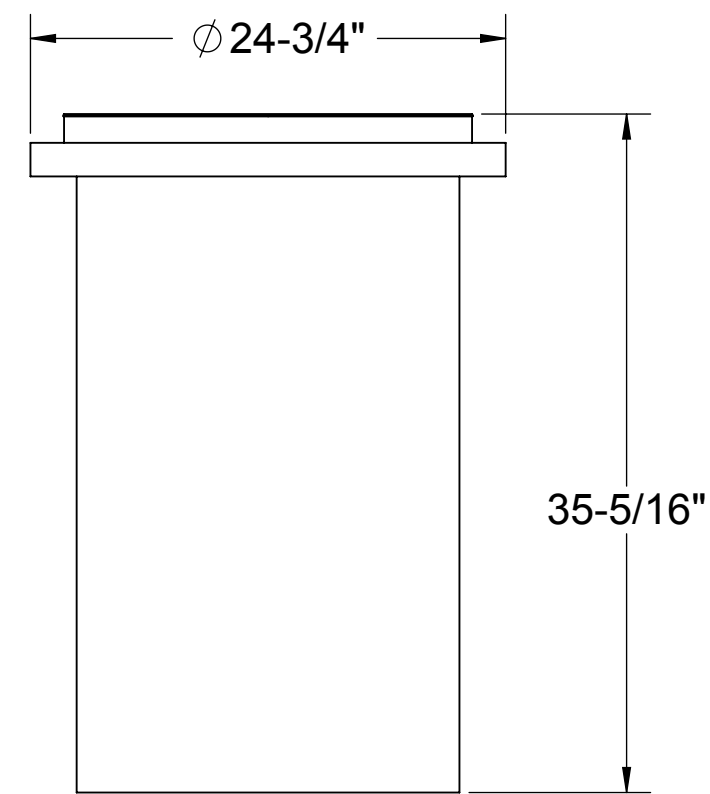
1. Molded polyethylene body
2. EPDM neck gasket
3. Stainless steel clamps

**ENGINEER SPECIFICATION GUIDE**

TieGlide field adjustable riser system to consist of rotationally molded polyethylene body, EPDM gasket and stainless steel clamps. Risers shall allow onsite adjustability of cover to grade.



LONG RISER (LR24)



LONG RISER (SR24)  
SIDE VIEW

<b>MODEL NUMBER:</b> LR24	
<b>DESCRIPTION:</b> RISER EXTENSION SYSTEM COMPONENT SPECIFICATIONS	
<b>DWG BY:</b> RS	<b>DATE:</b> 9/14/16
<b>REV:</b>	<b>ECO:</b>

**SPECIFICATION SHEET**

**Striem**  
9500 Woodend Road  
Edwardsville, KS 66111  
Tel: 913-222-1500  
Fax: 913-951-3399  
www.striemco.com



Made in the U.S.A

PROPRIETARY AND CONFIDENTIAL

THE INFORMATION CONTAINED IN THIS DRAWING IS THE SOLE PROPERTY OF STRIEM, LLC. ANY REPRODUCTION IN PART OR AS A WHOLE WITHOUT THE WRITTEN PERMISSION OF STRIEM, LLC. IS PROHIBITED.