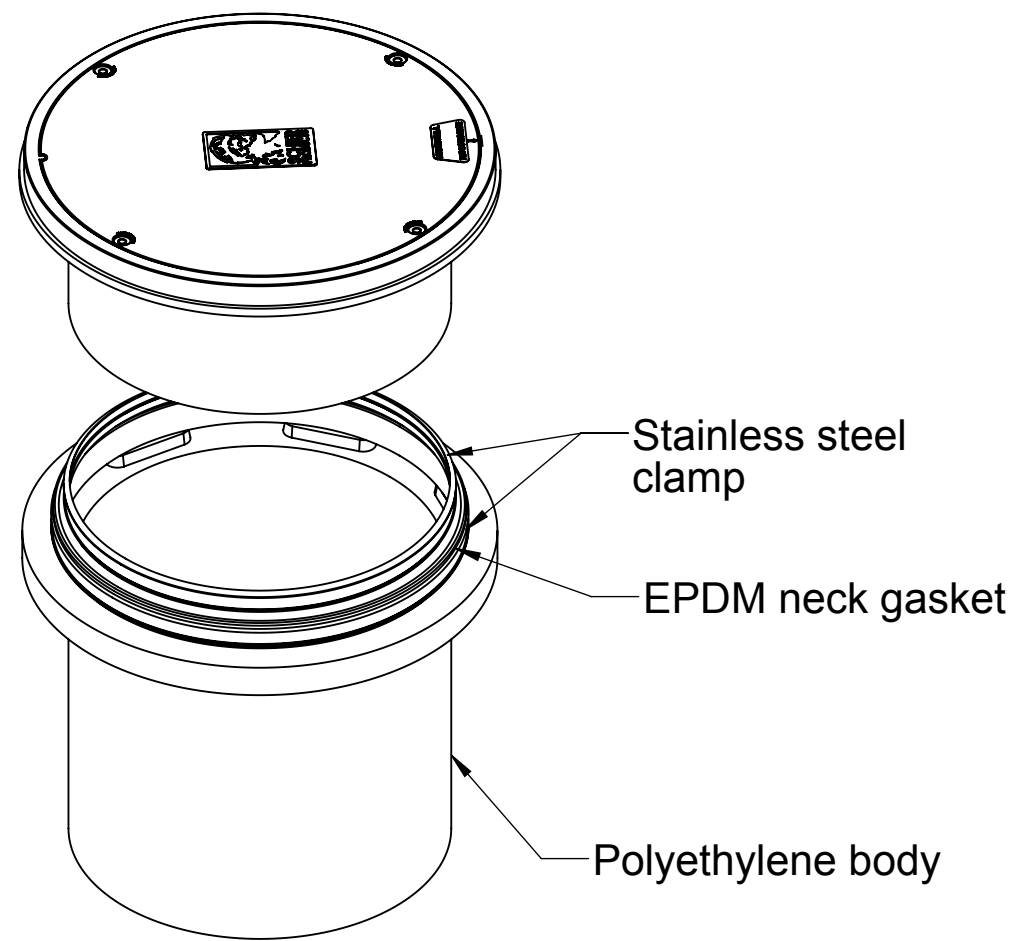


SPECIFICATIONS

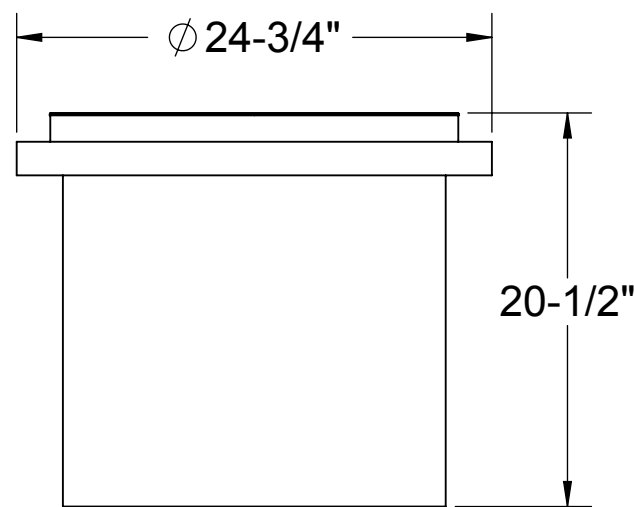
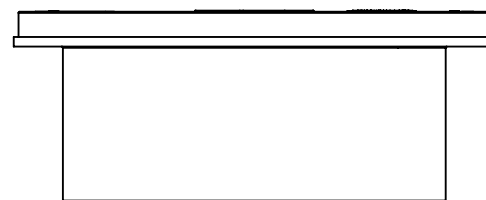
- 1. Molded polyethylene body
- 2. EPDM neck gasket
- 3. Stainless steel clamps

ENGINEER SPECIFICATION GUIDE

TieGlide field adjustable riser system to consist of rotationally molded polyethylene body, EPDM gasket and stainless steel clamps. Risers shall allow onsite adjustability of cover to grade.



SHORT RISER (SR24)



SHORT RISER (SR24)
SIDE VIEW

SPECIFICATION SHEET

MODEL NUMBER:	SR24
DESCRIPTION:	RISER EXTENSION SYSTEM COMPONENT SPECIFICATIONS
DWG BY:	RS
DATE:	9/14/16
REV:	
ECO:	

Striem
9500 Woodend Road
Edwardsville, KS 66111
Tel: 913-222-1500
Fax: 913-951-3399
www.striemco.com

Made in the U.S.A

