

**SPECIFICATIONS**

1. Molded polyethylene body
2. EPDM gaskets
3. Powder coated steel ring

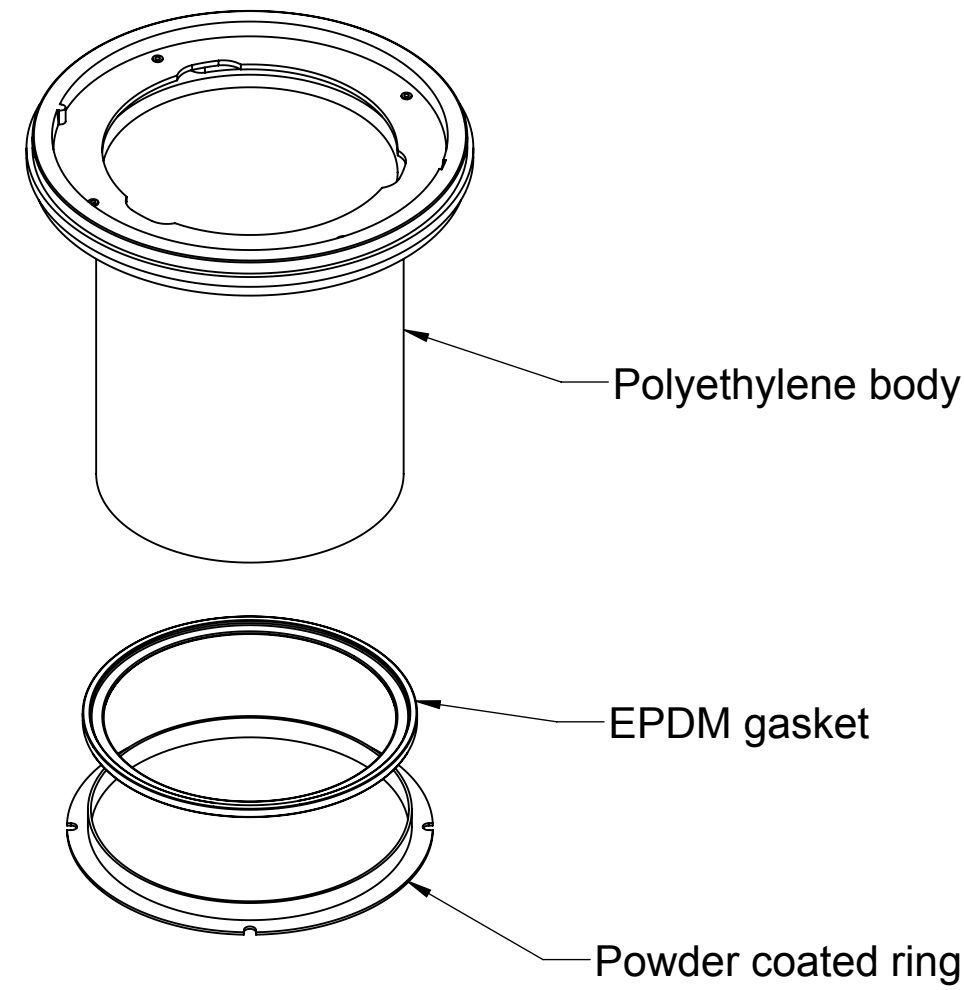
**ENGINEER SPECIFICATION GUIDE**

TeleGlide field adjustable riser system to consist of rotationally molded polyethylene body, EPDM gasket and powder coated steel ring. Risers shall allow onsite adjustability of cover to grade.

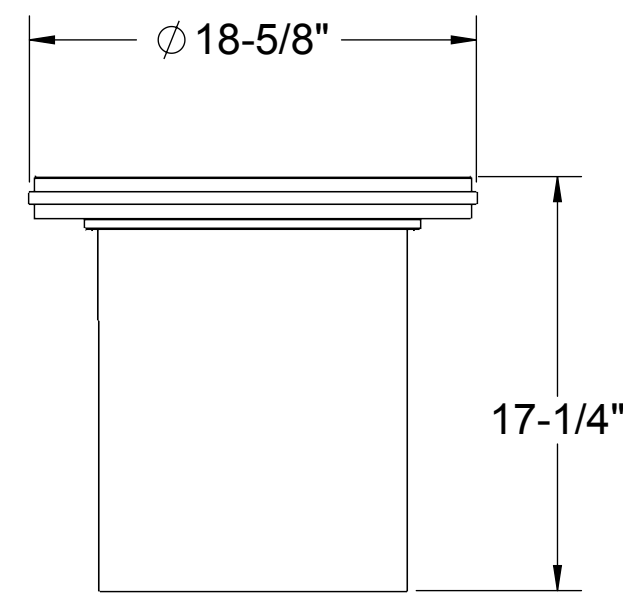
**INSTALLATION NOTE**

Minimum install height - 2-1/8". Maximum install height - 16-0".

Do not stack risers. Maximum of one riser per base unit. Access to internal components will be compromised. If deeper invert required, install larger unit with 24" cover.



SHORT RISER (SR16)



SHORT RISER (SR16)  
SIDE VIEW

<b>MODEL NUMBER:</b> SR16	
<b>DESCRIPTION:</b> RISER EXTENSION SYSTEM COMPONENT SPECIFICATIONS	
<b>DWG BY:</b> RS	<b>DATE:</b> 9/14/16
<b>REV:</b>	<b>ECO:</b>

**SPECIFICATION SHEET**

**Striem**  
9500 Woodend Road  
Edwardsville, KS 66111  
Tel: 913-222-1500  
Fax: 913-951-3399  
www.striemco.com



Made in the U.S.A

PROPRIETARY AND CONFIDENTIAL

THE INFORMATION CONTAINED IN THIS DRAWING IS THE SOLE PROPERTY OF STRIEM, LLC. ANY REPRODUCTION IN PART OR AS A WHOLE WITHOUT THE WRITTEN PERMISSION OF STRIEM, LLC. IS PROHIBITED.