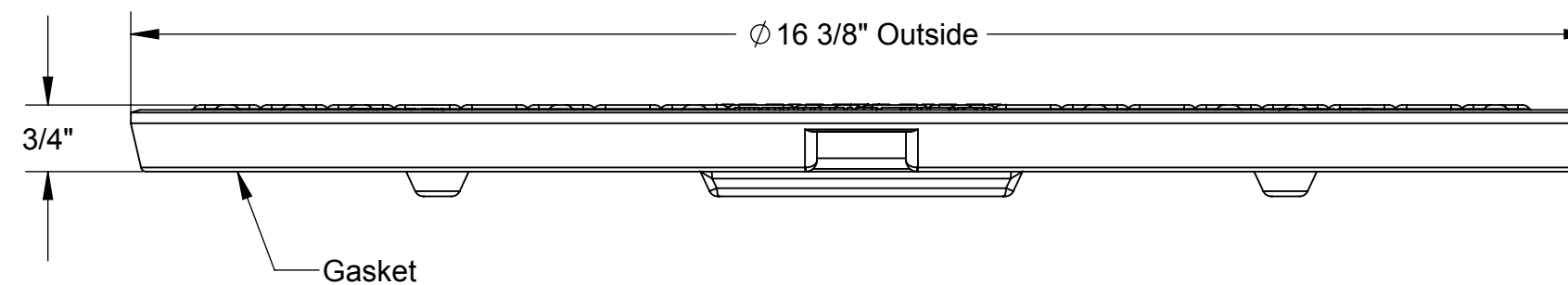
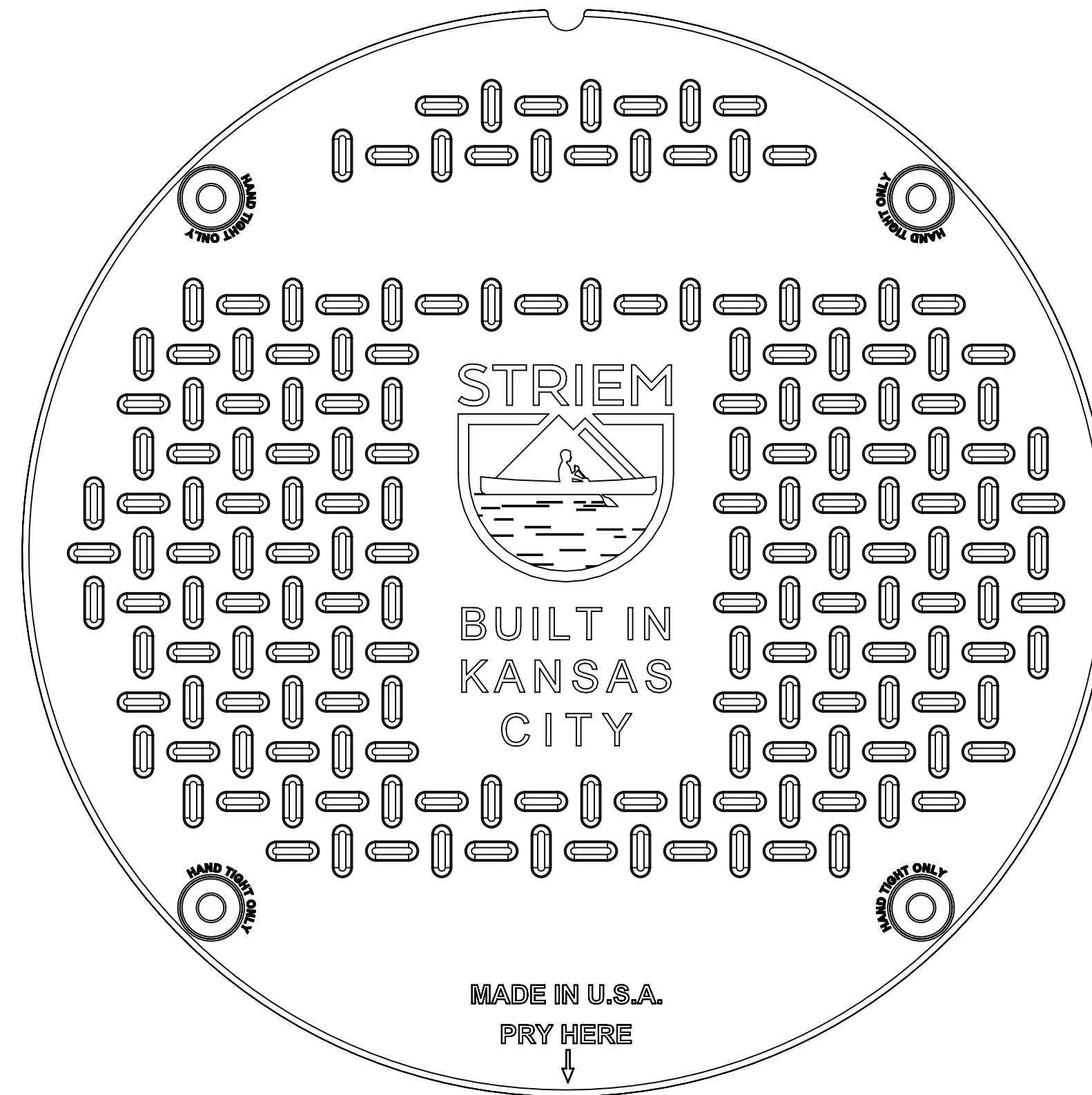


**SPECIFICATIONS (C16-M)**

1. Maximum Cover load: 2,500 lbs. with safety factor of 2
2. Bolted cover with gasket, protects against surface water infiltration and internal gas release
3. Total weight = 4 pounds
4. Part Color = Black

**ENGINEER SPECIFICATION GUIDE**

Cover shall be bolted with stainless steel hardware and sealed with a gasket. Cover shall hold a maximum load of 2,500 lbs. with a safety factor of 2.



<b>MODEL NUMBER:</b> C-16M	
<b>DESCRIPTION:</b> COVER, 16IN, BLACK 2,500 LB	
<b>DWG BY:</b> RS	<b>DATE:</b> 4/12/18
<b>REV:</b> 0	<b>ECO:</b>

**SPECIFICATION SHEET**

**Striem**  
3100 Brinkerhoff  
Kansas City, KS 66115  
Tel: 913-222-1500  
Fax: 913-291-0457  
www.striemco.com



Made in the U.S.A

PROPRIETARY AND CONFIDENTIAL

THE INFORMATION CONTAINED IN THIS DRAWING IS THE SOLE PROPERTY OF STRIEM, LLC. ANY REPRODUCTION IN PART OR AS A WHOLE WITHOUT THE WRITTEN PERMISSION OF STRIEM, LLC. IS PROHIBITED.