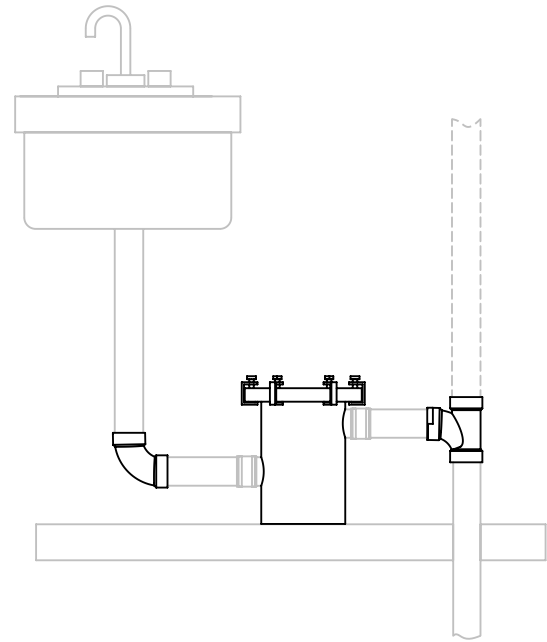


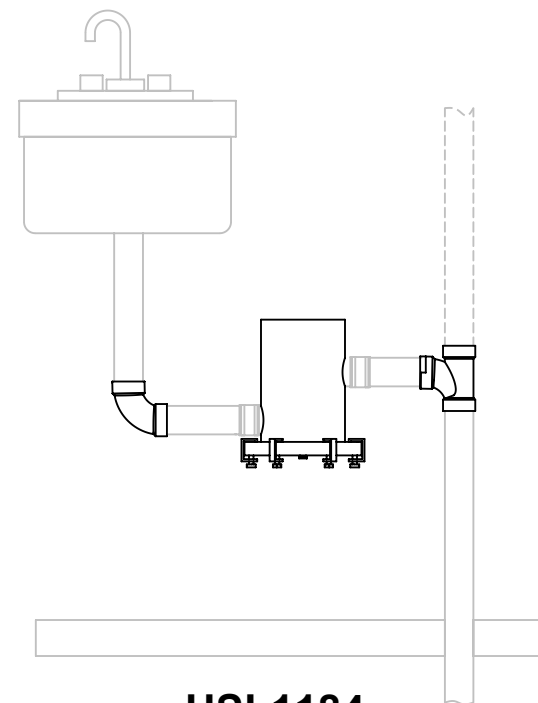
### INSTALLATION (USI-1180 & USI-1184)

1. Install Solids and Sediment interceptor as close to fixture as possible.
2. USI-Series interceptors are supplied with plain end connections. Use flexible rubber couplings to attach to piping.
3. Connect inlet and outlet piping. In some areas, Striem Solids and Sediment Interceptors may also serve function of the sewer gas trap (check with local codes for trap and vent requirements).
4. After piping is installed, inspect all pipe joints to ensure there are no leaks.
5. Ensure Sediment Container is placed correctly. Opening in container should match up with inlet connection.
6. Replace cover and gasket.
7. Unit is now ready for operation.

#### INSTALLATION WITHOUT TRAP

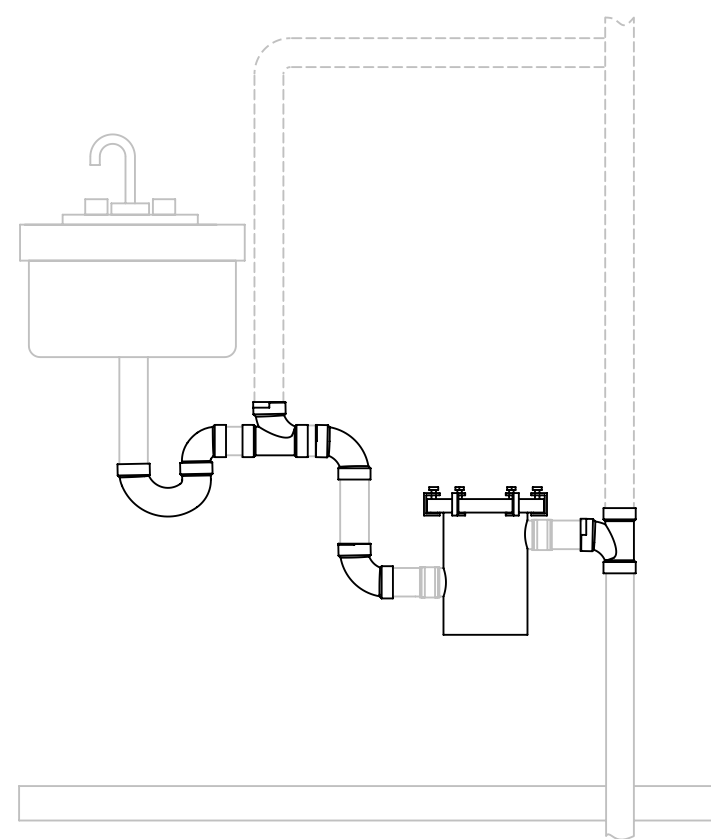


USI-1180

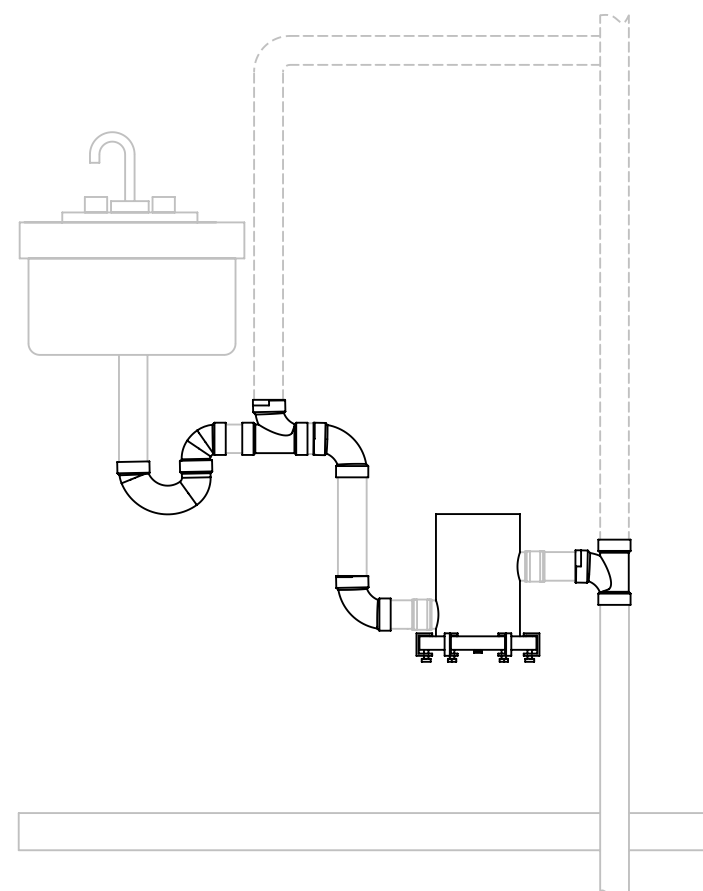


USI-1184

#### INSTALLATION WITH TRAP



USI-1180



USI-1184

### OPERATIONS & MAINTENANCE

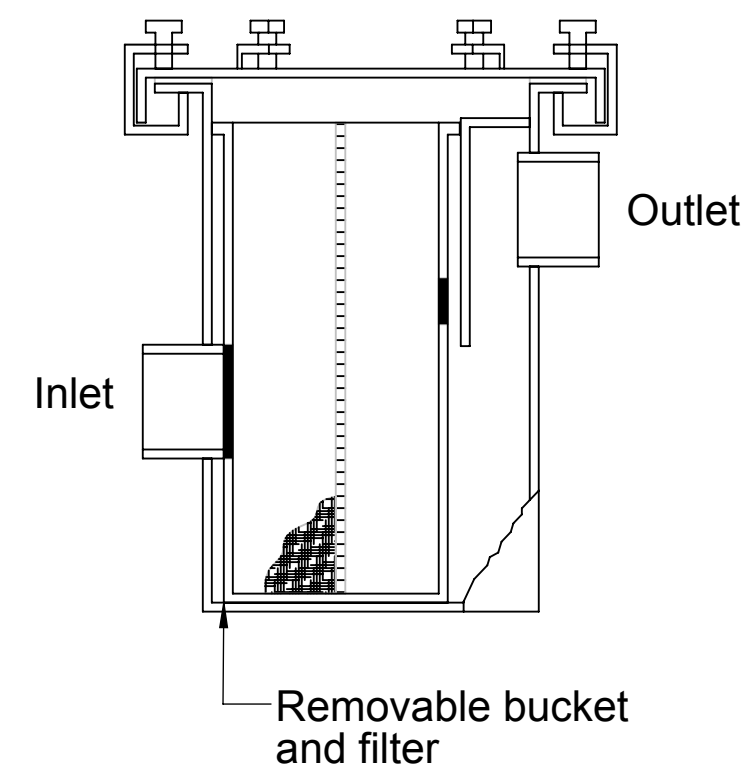
Regular inspection and maintenance is essential to keep clay and plaster Interceptor in peak working order.

1. Remove cover. Note: Opening USI-1184 cover will allow accumulated water to drain out. Place container below cover before opening.
2. Carefully remove Sediment Container. Do not allow sediment debris back into plumbing system.
3. Clean Sediment Container.
4. Clean main body. When cleaning USI Series, make sure to remove accumulated water and fine debris that may have accumulated at bottom of interceptor.
5. Replace Sediment Container. Make sure opening in Sediment Container matches up with inlet connection.
6. Inspect gasket for any rips or tears. Replace if necessary.
7. Replace cover and tighten.
8. Properly dispose of collected material.

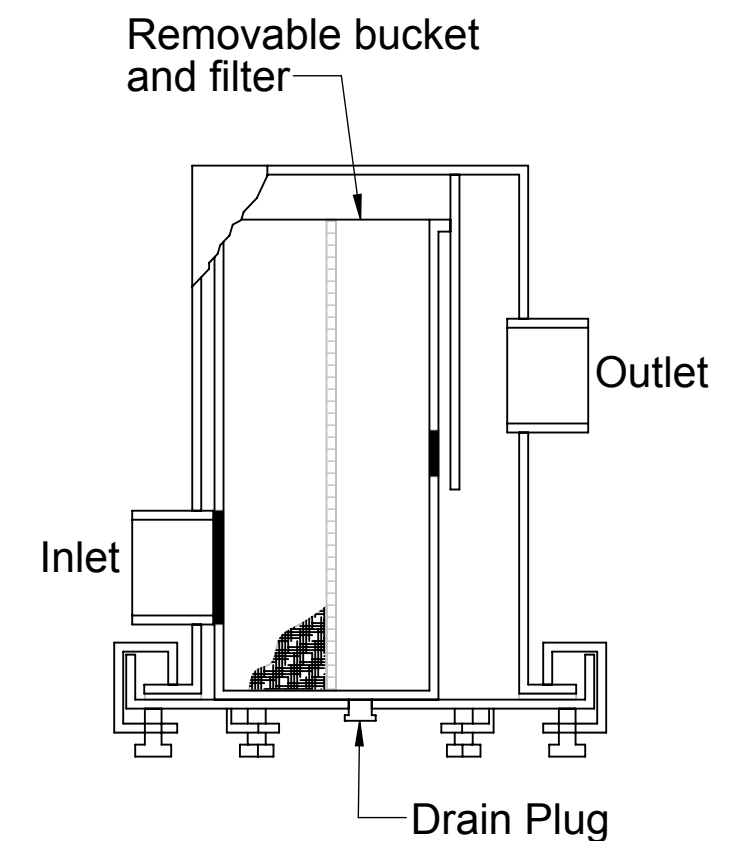
### FREQUENCY

Based upon all the variables, every Solids and Sediment Interceptor will have its own maintenance schedule. A sediment interceptor may have to be cleaned daily, weekly or monthly.

1. After an interceptor is installed, the unit should be inspected every two weeks for accumulation.
2. When accumulation is observed and the unit requires cleaning, it should be noted on a maintenance schedule and a cleaning cycle established.
3. Solids and Sediment Interceptors should always be cleaned after unusually heavy use periods, even though the regular cleaning cycle has not expired.



USI-1180



USI-1184

**MODEL NUMBER:** USI-1180/USI-1184

#### DESCRIPTION:

INSTALLATION / OPERATION AND  
MAINTENANCE GUIDE FOR 1.2 GALLON  
LIQUID HOLDING CAPACITY POINT OF  
USE POLYETHYLENE SOLIDS  
INTERCEPTOR

**DWG BY:** RS **DATE:** 10/17/16 **REV:** **ECO:**

**Striem**  
9500 Woodend Road  
Edwardsville, KS 66111  
Tel: 913-222-1500  
Fax: 913-951-3399  
www.striemco.com

Made in the U.S.A



PROPRIETARY AND CONFIDENTIAL

THE INFORMATION CONTAINED IN THIS DRAWING IS THE SOLE PROPERTY OF STRIEM, LLC. ANY REPRODUCTION IN PART OR AS A WHOLE WITHOUT THE WRITTEN PERMISSION OF STRIEM, LLC. IS PROHIBITED.