

SPECIFICATIONS (BB-500)

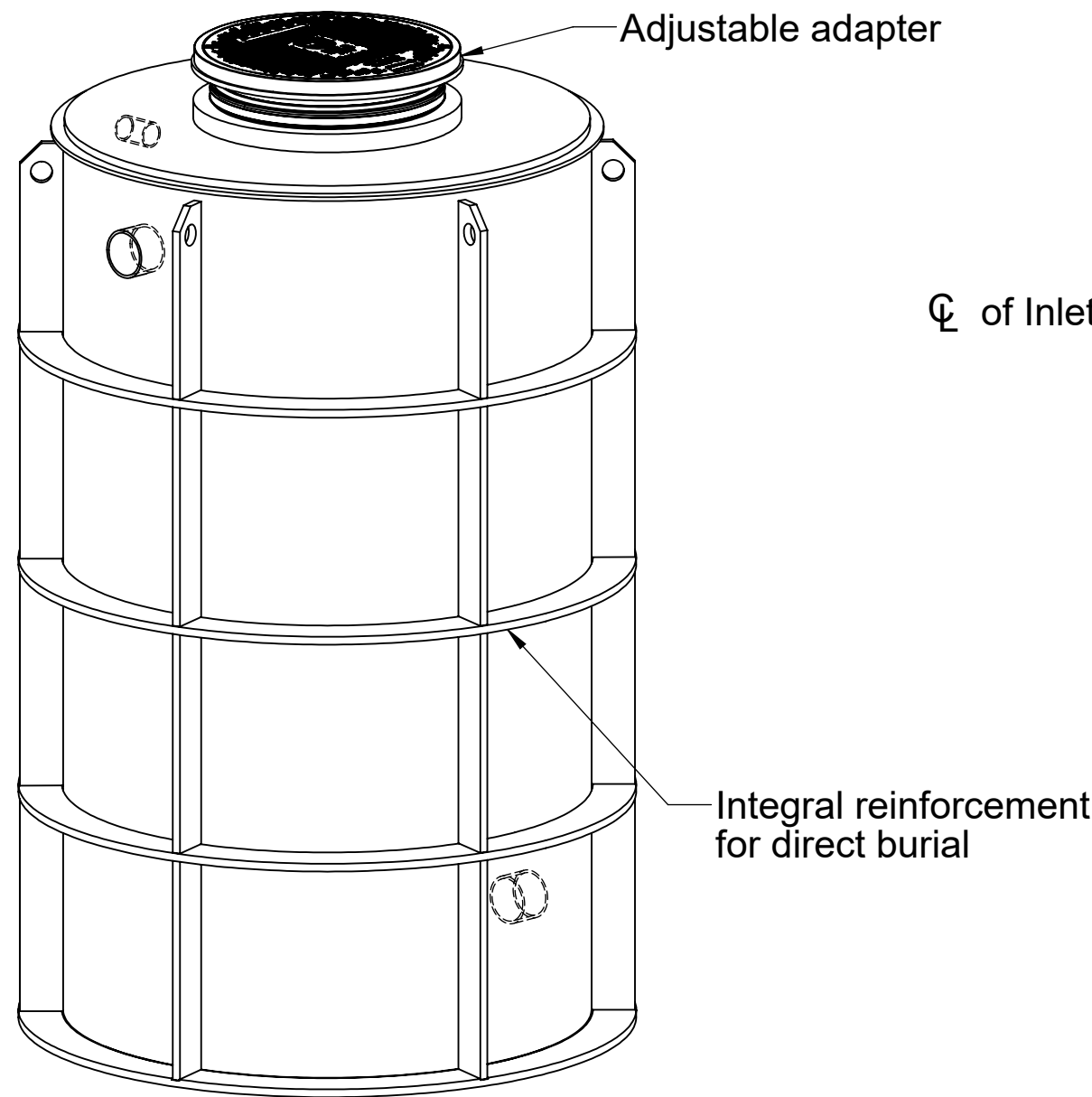
- 4" inlet connection, 2" vent connection.
- Liquid holding capacity: 584 Gallons.
- Unit weight w/std. cover: 435 Pounds.
- 16,000 lb. load rated, bolted, gas/water tight composite covers.
- Maximum operating temperature 140°F continuous.

NOTES

- For gravity drainage applications only. Do not use for pressure applications.
- 3/8" thick seamless high density polyethylene walls.
- Unit supplied with built-in adapter for up to 6" of adjustability. Additional riser(s) are also available for deeper burial depth.
- Cover placement allows full access to tank for proper maintenance.
- Unit for below grade installation.

ENGINEER SPECIFICATION GUIDE

Striem Bio Basin™ decontamination tank model BB-500 shall be lifetime guaranteed and Made in USA of seamless, rotationally-molded polyethylene with minimum 3/8" uniform wall thickness. Tank shall be furnished with inlets, outlets, vents, cover, bracing, riser system, monitoring equipment and other modifications per jobsite-specific conditions and per engineer's specification.



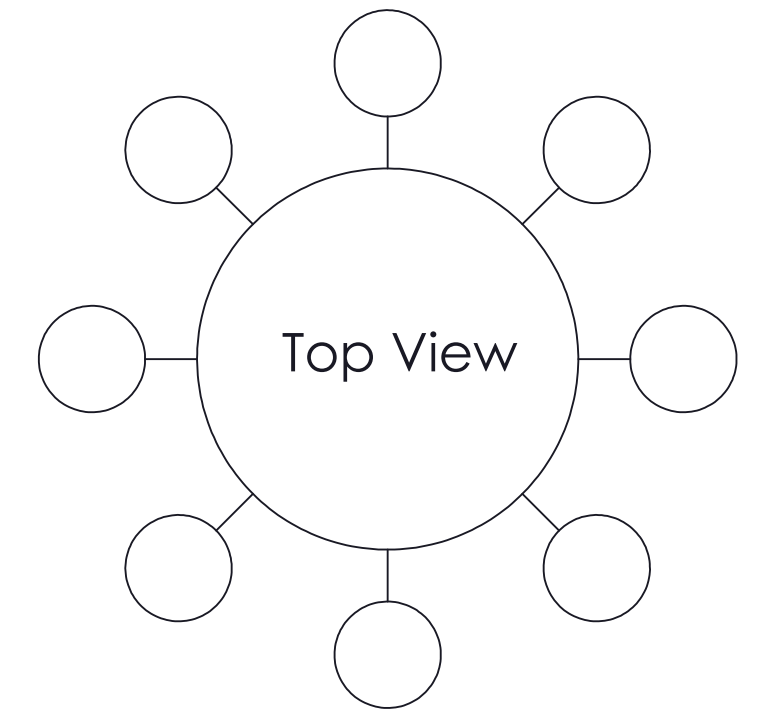
Directions: Complete steps 1-4 and submit signed with purchase order

1 Choose Connection Types

<p>Inlet</p> <input type="checkbox"/> Plain End <input type="checkbox"/> Female Thread <input type="checkbox"/> Flanged	<p>Optional Outlet</p> <input type="checkbox"/> Plain End <input type="checkbox"/> Female Thread <input type="checkbox"/> Flanged	<p>Vent</p> <input type="checkbox"/> Plain End <input type="checkbox"/> Female Thread <input type="checkbox"/> Flanged
<p>Size</p> <input type="checkbox"/> 1-1/2" <input type="checkbox"/> 2" <input type="checkbox"/> 3" <input type="checkbox"/> 4" <input type="checkbox"/> 6" (Female Thread not available)	<p>Size</p> <input type="checkbox"/> 1-1/2" <input type="checkbox"/> 2" <input type="checkbox"/> 3" <input type="checkbox"/> 4" <input type="checkbox"/> 6" (Female Thread not available)	<p>Size</p> <input type="checkbox"/> 1-1/2" <input type="checkbox"/> 2" <input type="checkbox"/> 3" <input type="checkbox"/> 4"

2 Specify Connection Location

I = Inlet, O = Outlet, V= Vent



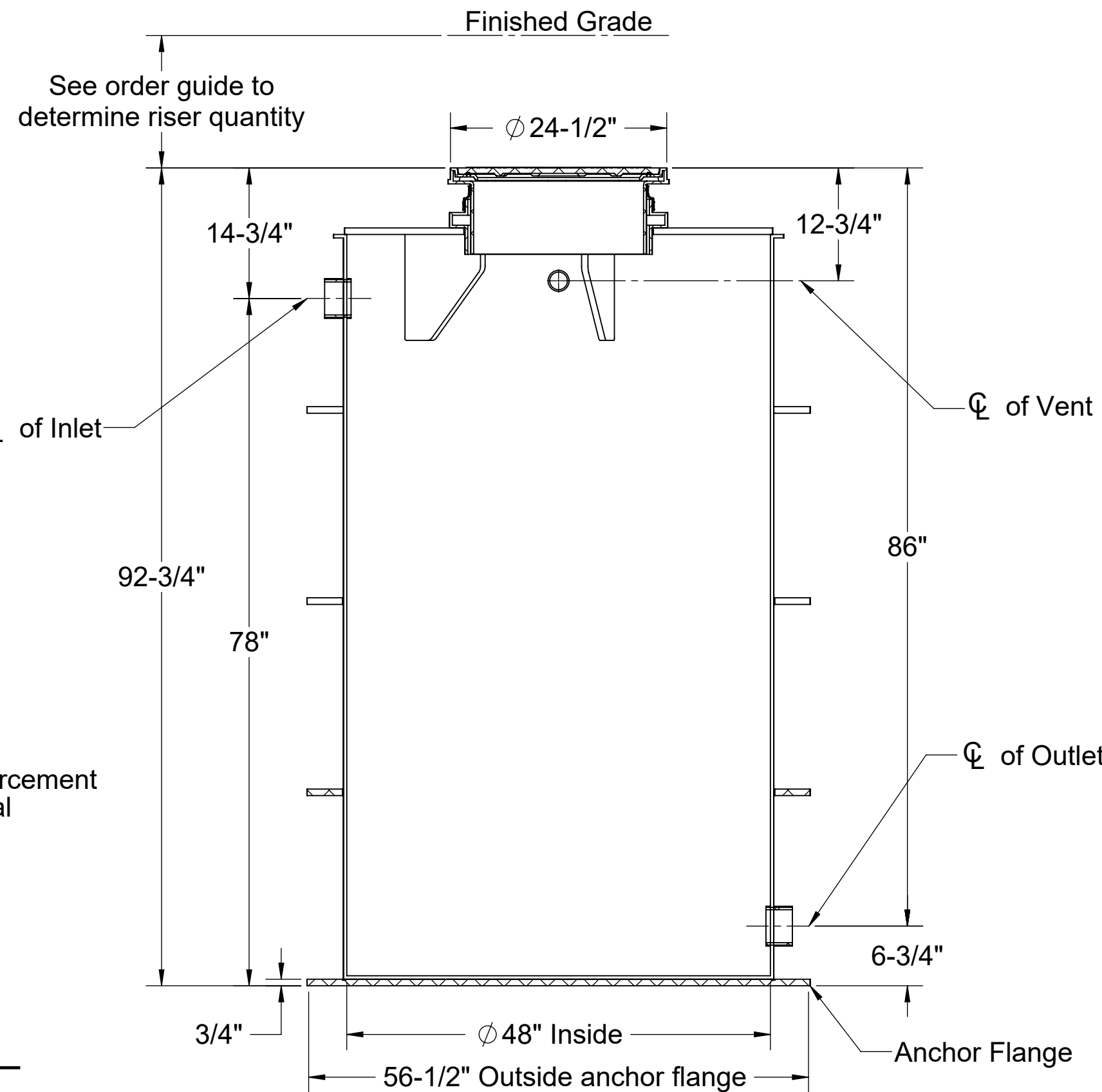
3 TeleGlide Riser Options

- SR24 - >6"-24"
- LR24 - >24"-39"
- SR24 (2) - >39"-43"
- SR24 + LR24 - >43"-58"
- LR24 (2) - >58"-72"

4 Additional Options

- AVA-3 - Single Level Monitoring Package.
- AVA-4 - Multi-Level Monitoring Package.
- Low outlet, (Specify Height ____).
- Outlet with manual valve and panel.
- Outlet with electronically actuated valve and panel.

**PO IS NON-CANCELABLE
ORDER IS NON-RETURNABLE**



Signature of Approval: _____
 Company: _____
 Date of Approval: _____
 Specifying Engineer: _____
 Engineering Firm: _____

MODEL NUMBER: BB-500

DESCRIPTION:
 POLYETHYLENE DECONTAMINATOIN
 TANK 584 GALLON CAPACITY

DWG BY: MJ **DATE:** 11/16/18 **REV:** **ECO:**

SPECIFICATION SHEET

Striem
 3100 Brinkerhoff
 Kansas City, KS 66115
 Tel: 913-222-1500
 Fax: 913-291-0457
 www.striemco.com



Made in the U.S.A

PROPRIETARY AND CONFIDENTIAL

THE INFORMATION CONTAINED IN THIS DRAWING IS THE SOLE PROPERTY OF STRIEM, LLC. ANY REPRODUCTION IN PART OR AS A WHOLE WITHOUT THE WRITTEN PERMISSION OF STRIEM, LLC. IS PROHIBITED.