

SPECIFICATIONS (BB-275)

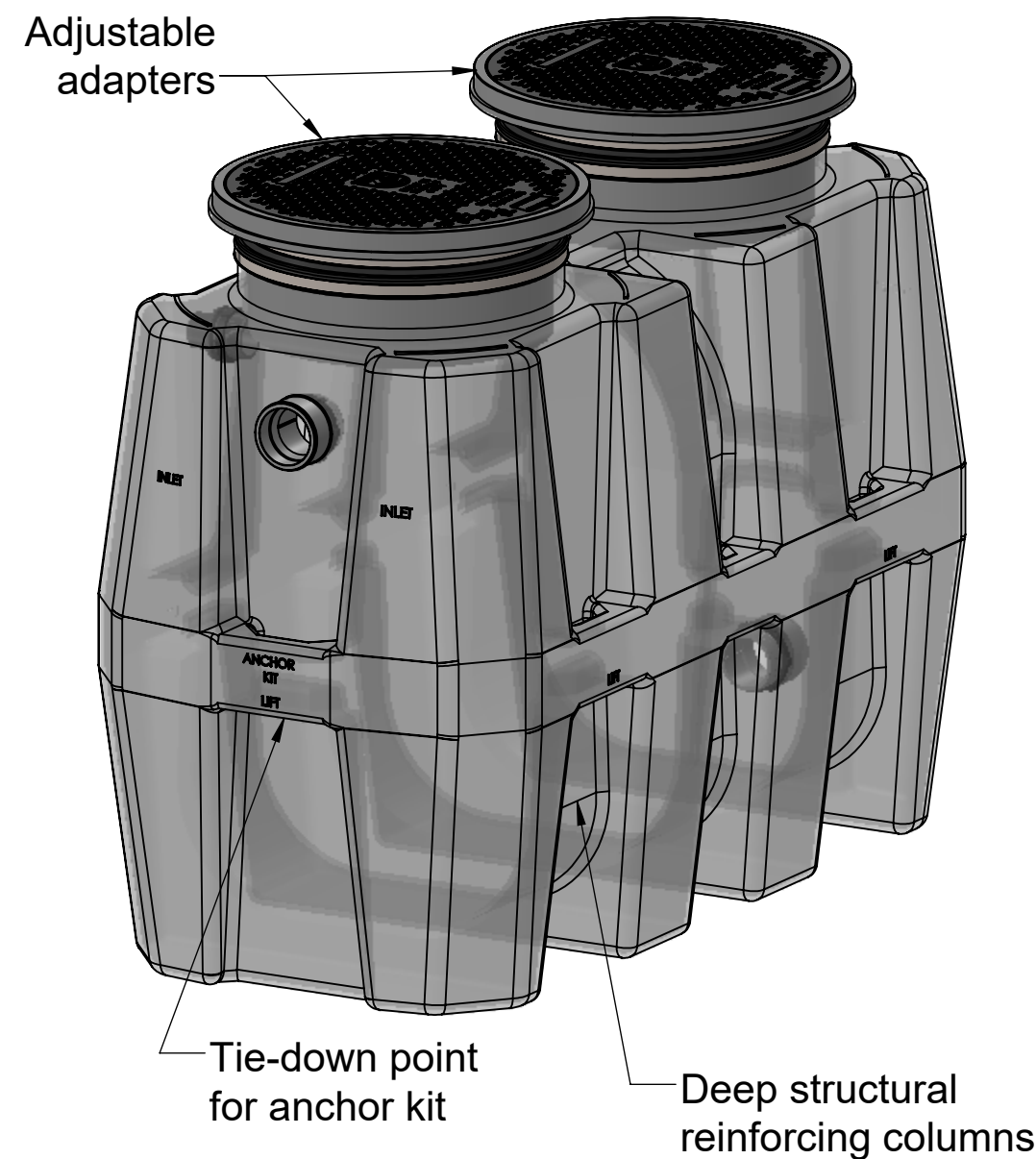
1. 4" inlet connection, 2" vent connection.
2. Liquid holding capacity: 250 Gallons
3. Unit weight w/std. cover: 230 Pounds
4. Highway rated composite cover: 16,000 lb. load rating.
5. Maximum operating temperature 140°F continuous.

NOTES

1. For gravity drainage applications only. Do not use for pressure applications.
2. 3/8" thick seamless medium density polyethylene walls.
3. Unit supplied with built-in adapters for up to 6" of adjustability. Additional risers available for deeper burial depth.
4. Cover placement allows full access to tank for proper maintenance.
5. For on the-floor or buried applications.

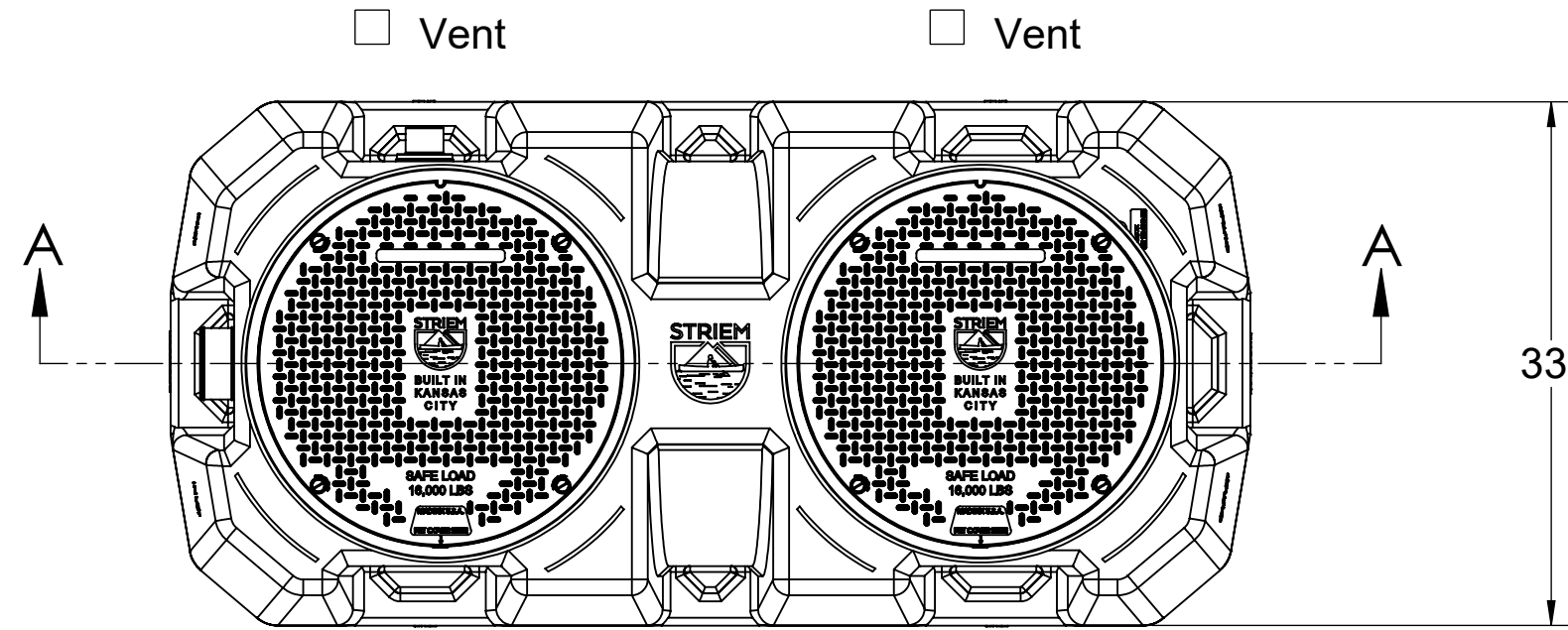
ENGINEER SPECIFICATION GUIDE

Striem Bio Basin™ decontamination tank model BB-275 shall be lifetime guaranteed and Made in USA of seamless, rotationally-molded polyethylene with minimum 3/8" uniform wall thickness. Tank shall be furnished with inlets, outlets, vents, cover, riser system, monitoring equipment and other modifications per jobsite-specific conditions and per engineer's specification.

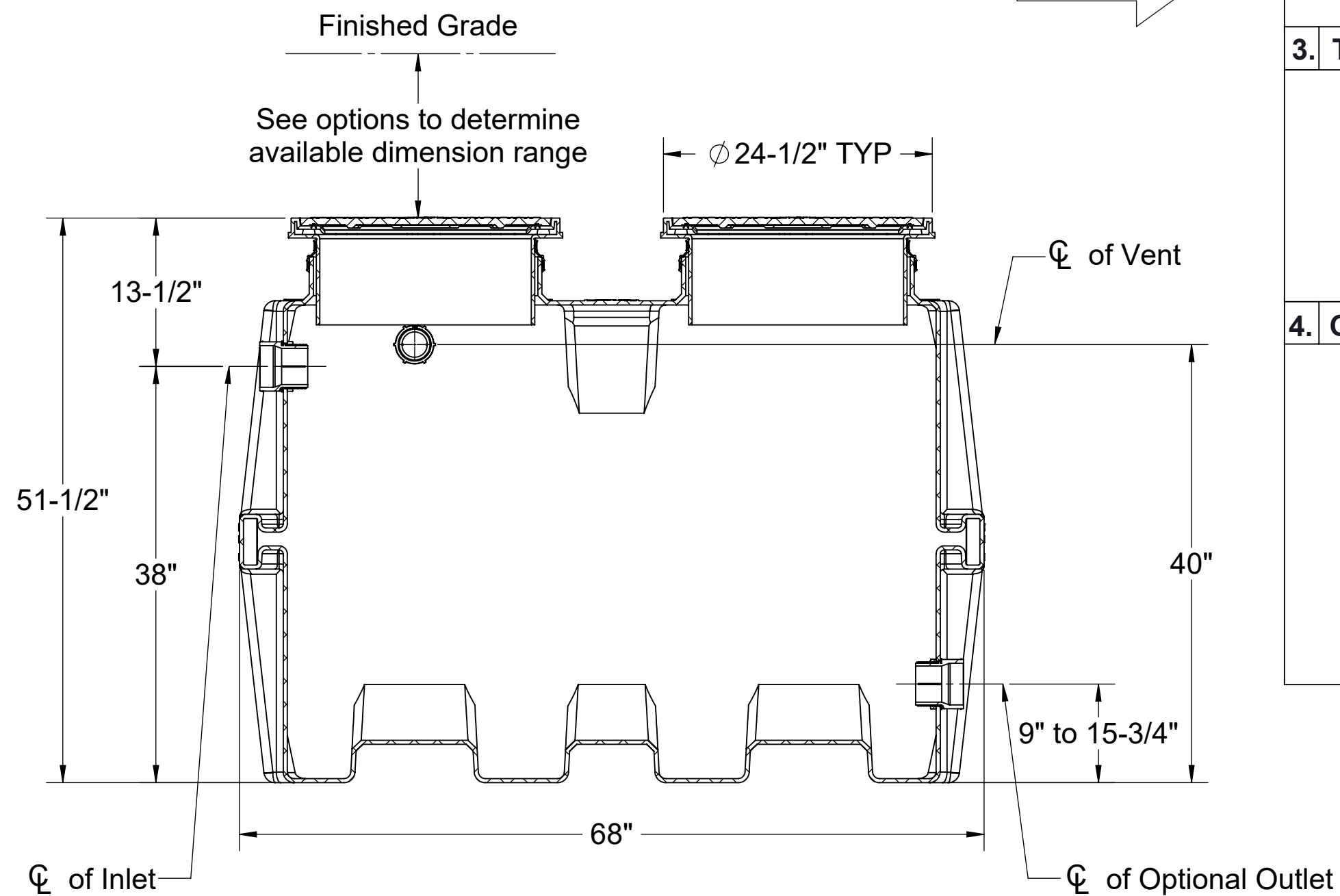


Directions: Complete steps 1-4 and submit signed with purchase order.

1. Choose Connection Locations.



TOP VIEW



SECTION A-A

2. Choose Connection Types.

- | | |
|--|---|
| Inlet | Size |
| <input type="checkbox"/> Plain End | <input type="checkbox"/> 2" |
| <input type="checkbox"/> Female Thread | <input type="checkbox"/> 3" |
| <input type="checkbox"/> Flanged | <input type="checkbox"/> 4" |
| | <input type="checkbox"/> 6" (Female Thread Not Available) |
| Optional Outlet | Size |
| <input type="checkbox"/> Plain End | <input type="checkbox"/> 2" |
| <input type="checkbox"/> Female Thread | <input type="checkbox"/> 3" |
| <input type="checkbox"/> Flanged | <input type="checkbox"/> 4" |
| | <input type="checkbox"/> 6" (Female Thread Not Available) |
| Vent | Size |
| <input type="checkbox"/> Plain End | <input type="checkbox"/> 2" |
| <input type="checkbox"/> Female Thread | <input type="checkbox"/> 3" |
| <input type="checkbox"/> Flanged | <input type="checkbox"/> 4" |

3. TeleGlide Riser Options.

- SR24 (2) - >6"-24"
- LR24 (2) - >24"-39"
- SR24 (4) - >39"-43"
- SR24 (2) + LR24 (2) - >43"-58"
- LR24 (4) - >58"-72"

4. Choose Additional Options.

- AK-1 - High Water Anchor Kit
- AVA-3 - Single Level Monitoring Package
- AVA-4 - Multi-Level Monitoring Package
- Flat tank bottom
- Low outlet, 9"min to 15-3/4" max (Specify _____)
- Outlet with manual valve and panel
- Outlet with electronically actuated valve and panel

**PO IS NON-CANCELABLE
ORDER IS NON-RETURNABLE**

Signature of Approval: _____
 Company: _____
 Date of Approval: _____
 Specifying Engineer: _____
 Engineering Firm: _____

PROPRIETARY AND CONFIDENTIAL

THE INFORMATION CONTAINED IN THIS DRAWING IS THE SOLE PROPERTY OF STRIEM, LLC. ANY REPRODUCTION IN PART OR AS A WHOLE WITHOUT THE WRITTEN PERMISSION OF STRIEM, LLC. IS PROHIBITED.

MODEL NUMBER:	BB-275
DESCRIPTION:	POLYETHYLENE DECONTAMINATION TANK 250 GALLON CAPACITY
DWG BY:	MJ
DATE:	11/16/18
REV:	0
ECO:	

SPECIFICATION SHEET

Striem
 3100 Brinkerhoff
 Kansas City, KS 66115
 Tel: 913-222-1500
 Fax: 913-291-0457
 www.striemco.com

Made in the U.S.A

