

SPECIFICATIONS (NT-300-A)

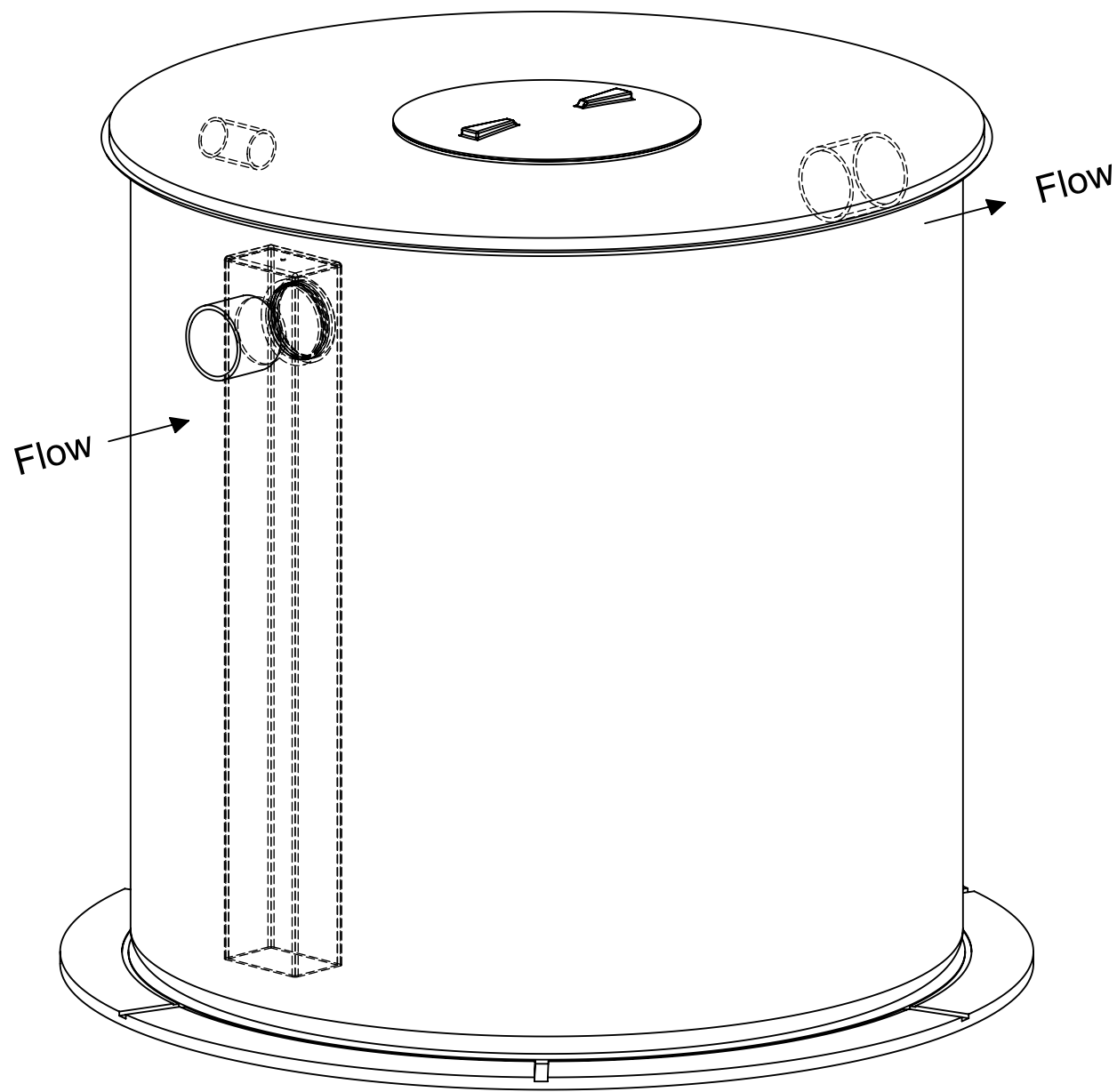
- 4" inlet and outlet connections, 2" vent connection.
- Liquid holding capacity: 309 Gallons
- Unit weight w/std. cover: 132 Pounds
- Maximum operating temperature 140°F continuous.

NOTES

- For gravity drainage applications only. Do not use for pressure applications.
- 3/8" thick seamless polyethylene walls.
- Cover placement allows full access to tank for proper maintenance.
- Unit for above grade installation

ENGINEER SPECIFICATION GUIDE

Striem NT Series neutralization tank model NT-300-A shall be lifetime guaranteed and Made in USA of seamless, rotationally-molded Polyethylene or Polypropylene with minimum 3/8" uniform wall thickness. Tank shall be furnished with inlets, outlets, vents, cover, bracing, riser system, monitoring equipment and other modifications per jobsite-specific conditions and per engineer's specification.



Directions: Complete steps 1-5 and submit signed with purchase order

1 Diptube Location:

- Inlet
- Outlet
- Both

2

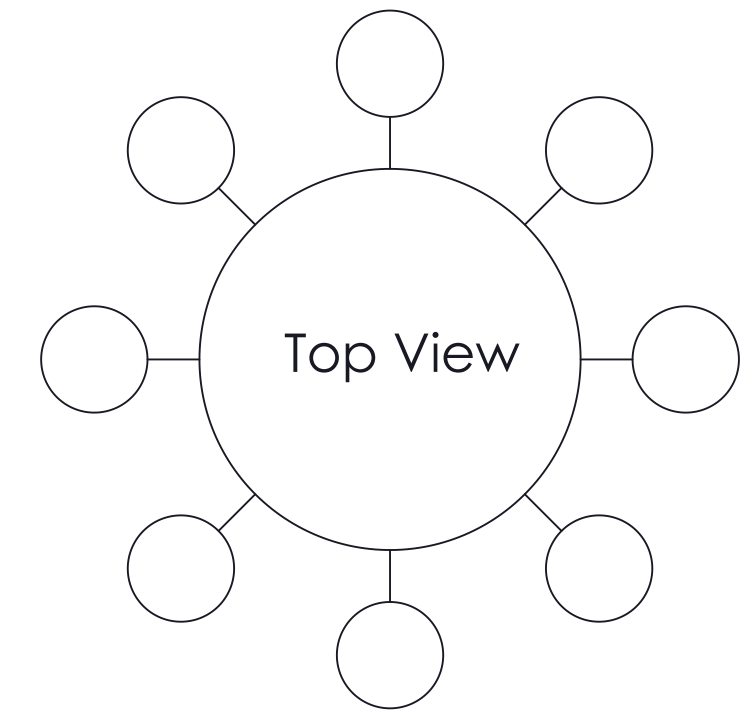
Connections

- | | | |
|---|---|--|
| Inlet | Outlet | Vent |
| <input type="checkbox"/> Plain End | <input type="checkbox"/> Plain End | <input type="checkbox"/> Plain End |
| <input type="checkbox"/> Female Thread | <input type="checkbox"/> Female Thread | <input type="checkbox"/> Female Thread |
| <input type="checkbox"/> Flanged | <input type="checkbox"/> Flanged | <input type="checkbox"/> Flanged |
| Size | Size | Size |
| <input type="checkbox"/> 1-1/2" | <input type="checkbox"/> 1-1/2" | <input type="checkbox"/> 1-1/2" |
| <input type="checkbox"/> 2" | <input type="checkbox"/> 2" | <input type="checkbox"/> 2" |
| <input type="checkbox"/> 3" | <input type="checkbox"/> 3" | <input type="checkbox"/> 3" |
| <input type="checkbox"/> 4" | <input type="checkbox"/> 4" | <input type="checkbox"/> 4" |
| <input type="checkbox"/> 6" (Female Thread not available) | <input type="checkbox"/> 6" (Female Thread not available) | |

3

Specify Connection Location

I = Inlet, O = Outlet, V= Vent



4

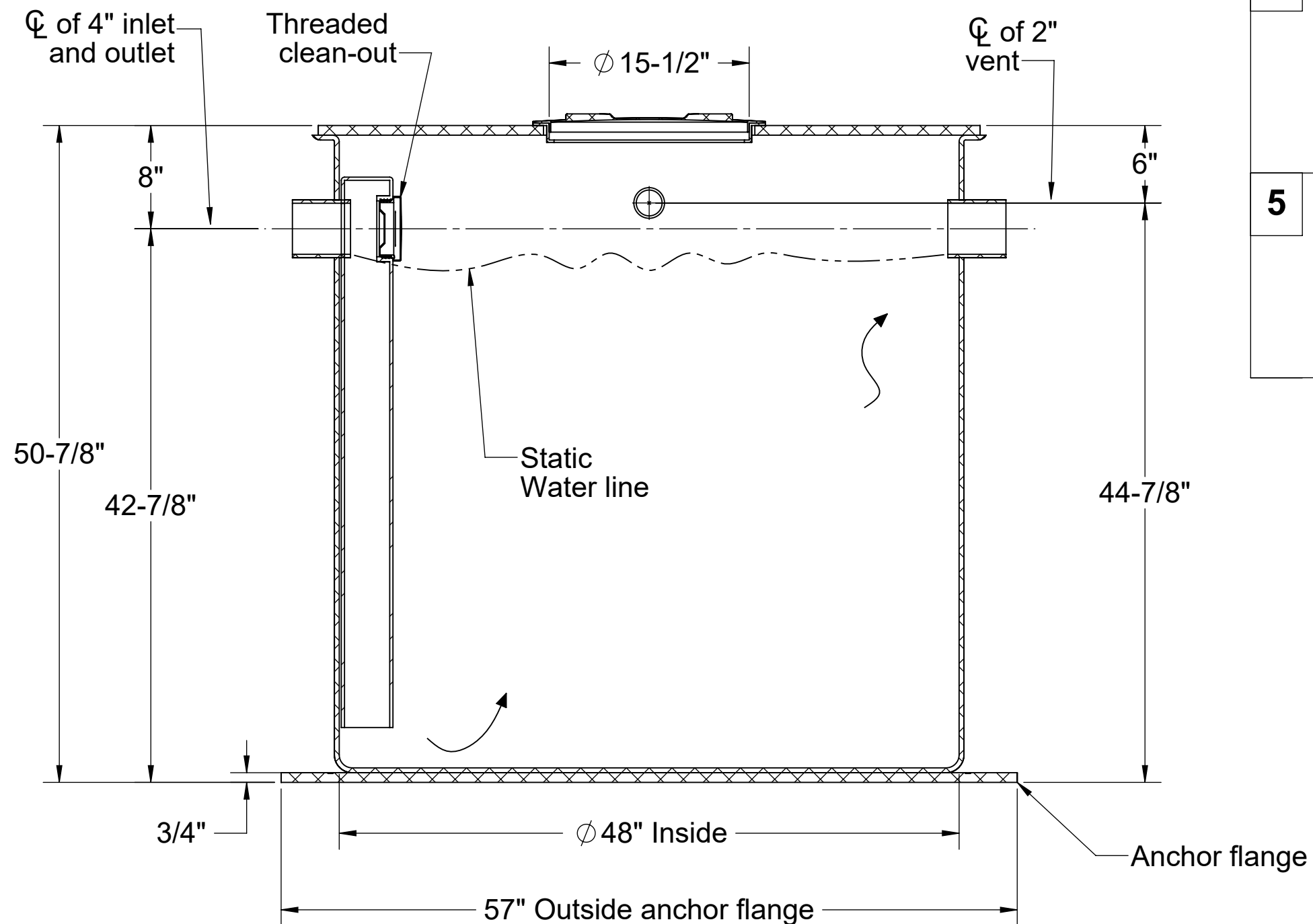
Installation (Check all that apply)

- On the floor
- Inside Concrete Vault
- Other _____

5

Additional Options

- 90%+ Calcium Carbonate Limestone
- Command Center pH Monitoring



**PO IS NON-CANCELABLE
ORDER IS NON-RETURNABLE**

Signature of Approval: _____
 Company: _____
 Date of Approval: _____
 Specifying Engineer: _____
 Engineering Firm: _____

PROPRIETARY AND CONFIDENTIAL

THE INFORMATION CONTAINED IN THIS DRAWING IS THE SOLE PROPERTY OF STRIEM, LLC. ANY REPRODUCTION IN PART OR AS A WHOLE WITHOUT THE WRITTEN PERMISSION OF STRIEM, LLC. IS PROHIBITED.

MODEL NUMBER: NT-300-A	
DESCRIPTION: ABOVE GRADE CHEMICAL WASTE TANK 309 GALLON LIQUID HOLDING CAPACITY	
DWG BY: MJ	DATE: 09/21/18
REV:	ECO:

SPECIFICATION SHEET

Striem
 3100 Brinkerhoff
 Kansas City, KS 66115
 Tel: 913-222-1500
 Fax: 913-291-0457
 www.striemco.com



Made in the U.S.A