

**SPECIFICATIONS (NT-200-B)**

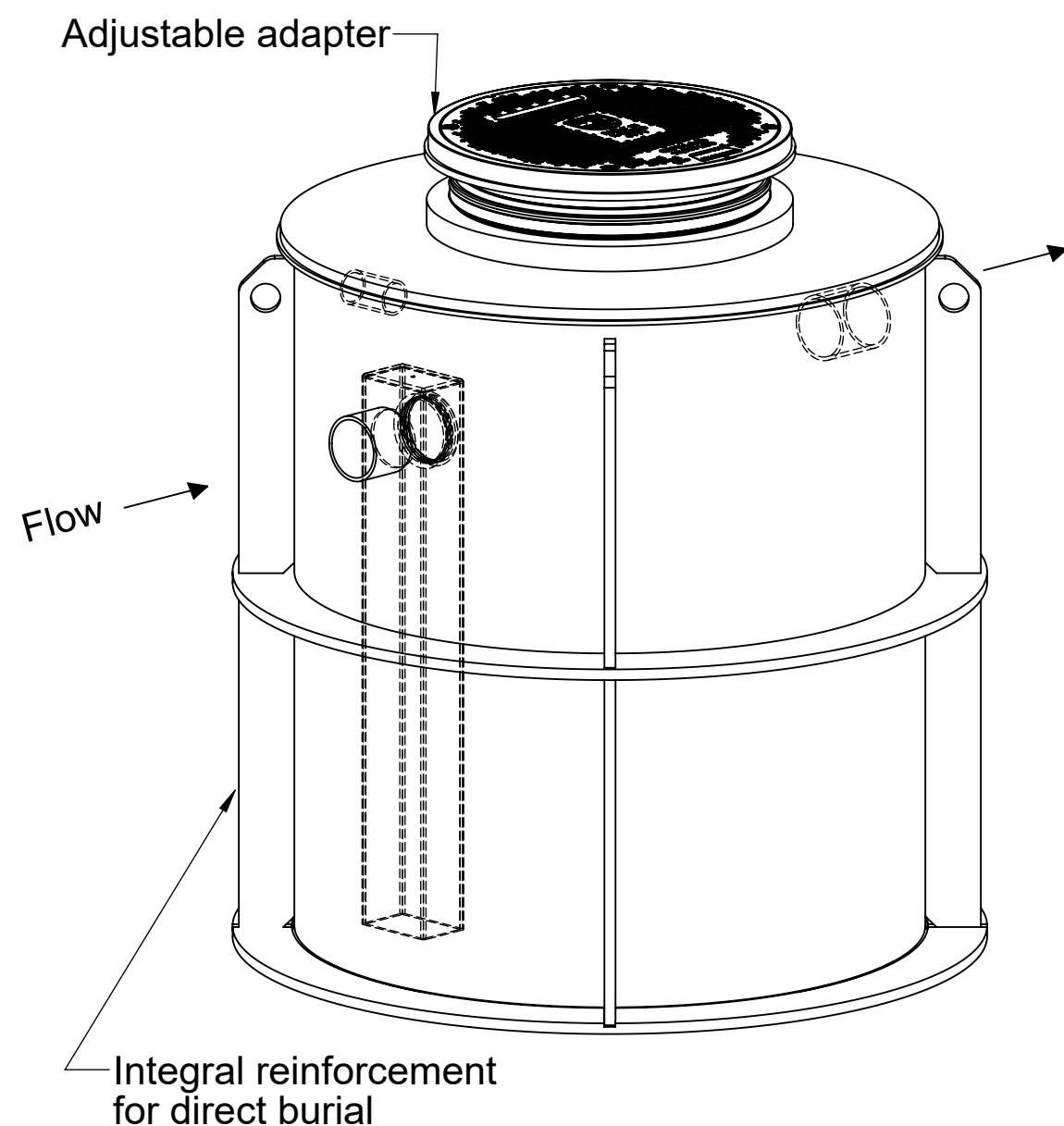
- 4" inlet and outlet connections, 2" vent connection.
- Liquid holding capacity: 212 Gallons
- Unit weight w/std. cover: 228 Pounds
- 16,000 lb. load rated, bolted, gas/water tight composite covers.
- Maximum operating temperature 140°F continuous.

**NOTES**

- For gravity drainage applications only. Do not use for pressure applications.
- 3/8" thick seamless high density polyethylene walls.
- Unit supplied with built-in adapter for up to 6" of adjustability. Additional riser(s) are also available for deeper burial depth.
- Cover placement allows full access to tank for proper maintenance.
- Unit for below grade installation.

**ENGINEER SPECIFICATION GUIDE**

Striem NT Series neutralization tank model NT-200-B shall be lifetime guaranteed and Made in USA of seamless, rotationally-molded Polyethylene with minimum 3/8" uniform wall thickness. Tank shall be furnished with inlets, outlets, vents, cover, bracing, riser system, monitoring equipment and other modifications per jobsite-specific conditions and per engineer's specification.



**Directions: Complete steps 1-6 and submit signed with purchase order**

**1 Diptube Location:**

- Inlet
- Outlet
- Both

**2**

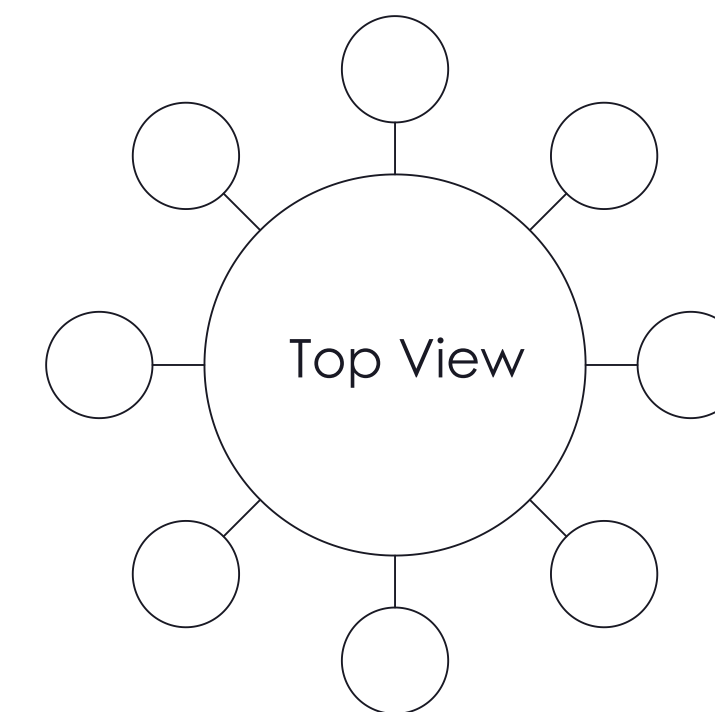
**Connections**

- |   |   |  |
|---|---|--|
| <b>Inlet</b>  | <b>Outlet</b>   | <b>Vent</b>                            |
| <input type="checkbox"/> Plain End                        | <input type="checkbox"/> Plain End                        | <input type="checkbox"/> Plain End     |
| <input type="checkbox"/> Female Thread                    | <input type="checkbox"/> Female Thread                    | <input type="checkbox"/> Female Thread |
| <input type="checkbox"/> Flanged                          | <input type="checkbox"/> Flanged                          | <input type="checkbox"/> Flanged       |
| <b>Size</b>   | <b>Size</b>   | <b>Size</b>                            |
| <input type="checkbox"/> 1-1/2"                           | <input type="checkbox"/> 1-1/2"                           | <input type="checkbox"/> 1-1/2"        |
| <input type="checkbox"/> 2"                               | <input type="checkbox"/> 2"                               | <input type="checkbox"/> 2"            |
| <input type="checkbox"/> 3"                               | <input type="checkbox"/> 3"                               | <input type="checkbox"/> 3"            |
| <input type="checkbox"/> 4"                               | <input type="checkbox"/> 4"                               | <input type="checkbox"/> 4"            |
| <input type="checkbox"/> 6" (Female Thread not available) | <input type="checkbox"/> 6" (Female Thread not available) |  |

**3**

**Specify Connection Location**

I = Inlet, O = Outlet, V = Vent



**4**

**TeleGlide Riser Options**

- SR24, 6"-24"
- LR24, 24"-39"
- SR24 (2), 39"-43"
- SR24 + LR24, 43"-58"
- LR24 (2), 58"-72"

**5**

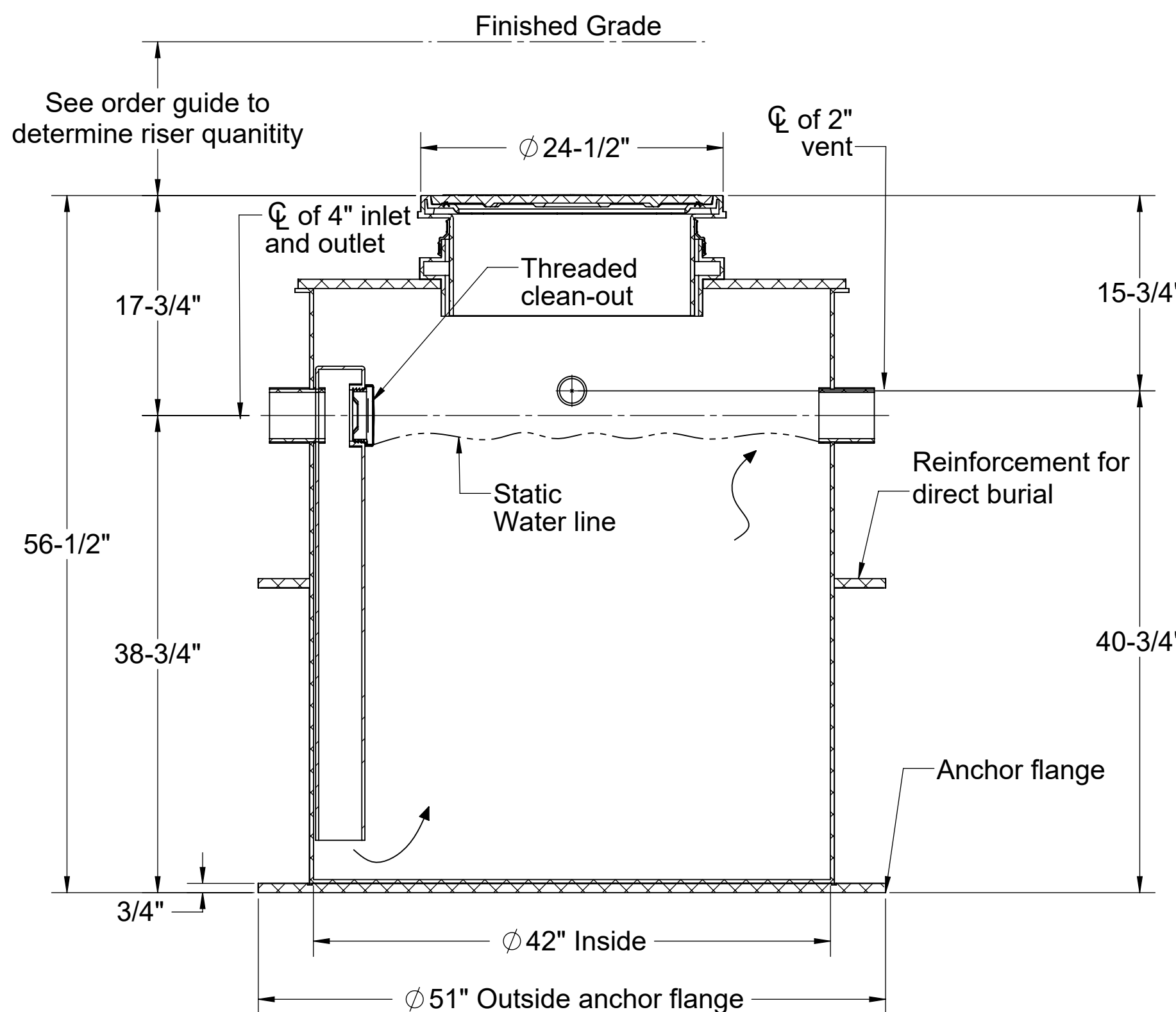
**Installation** (Check all that apply)

- On the floor
- Direct Bury
- Inside Concrete Vault
- Possible high water table area
- Other \_\_\_\_\_

**6**

**Additional Options**

- 90%+ Calcium Carbonate Limestone
- Command Center pH Monitoring



Signature of Approval: \_\_\_\_\_

Company: \_\_\_\_\_

Date of Approval: \_\_\_\_\_

Specifying Engineer: \_\_\_\_\_

Engineering Firm: \_\_\_\_\_

**PO IS NON-CANCELABLE  
ORDER IS NON-RETURNABLE**

PROPRIETARY AND CONFIDENTIAL

THE INFORMATION CONTAINED IN THIS DRAWING IS THE SOLE PROPERTY OF STRIEM, LLC. ANY REPRODUCTION IN PART OR AS A WHOLE WITHOUT THE WRITTEN PERMISSION OF STRIEM, LLC. IS PROHIBITED.

<b>MODEL NUMBER:</b> NT-200-B	
<b>DESCRIPTION:</b> BELOW GRADE CHEMICAL WASTE TANK 212 GALLON LIQUID HOLDING CAPACITY	
<b>DWG BY:</b> MJ	<b>DATE:</b> 09/21/18
<b>REV:</b>	<b>ECO:</b>

**SPECIFICATION SHEET**

**Striem**  
3100 Brinkerhoff  
Kansas City, KS 66115  
Tel: 913-222-1500  
Fax: 913-291-0457  
www.striemco.com



Made in the U.S.A