

**SPECIFICATIONS (NT-150-A)**

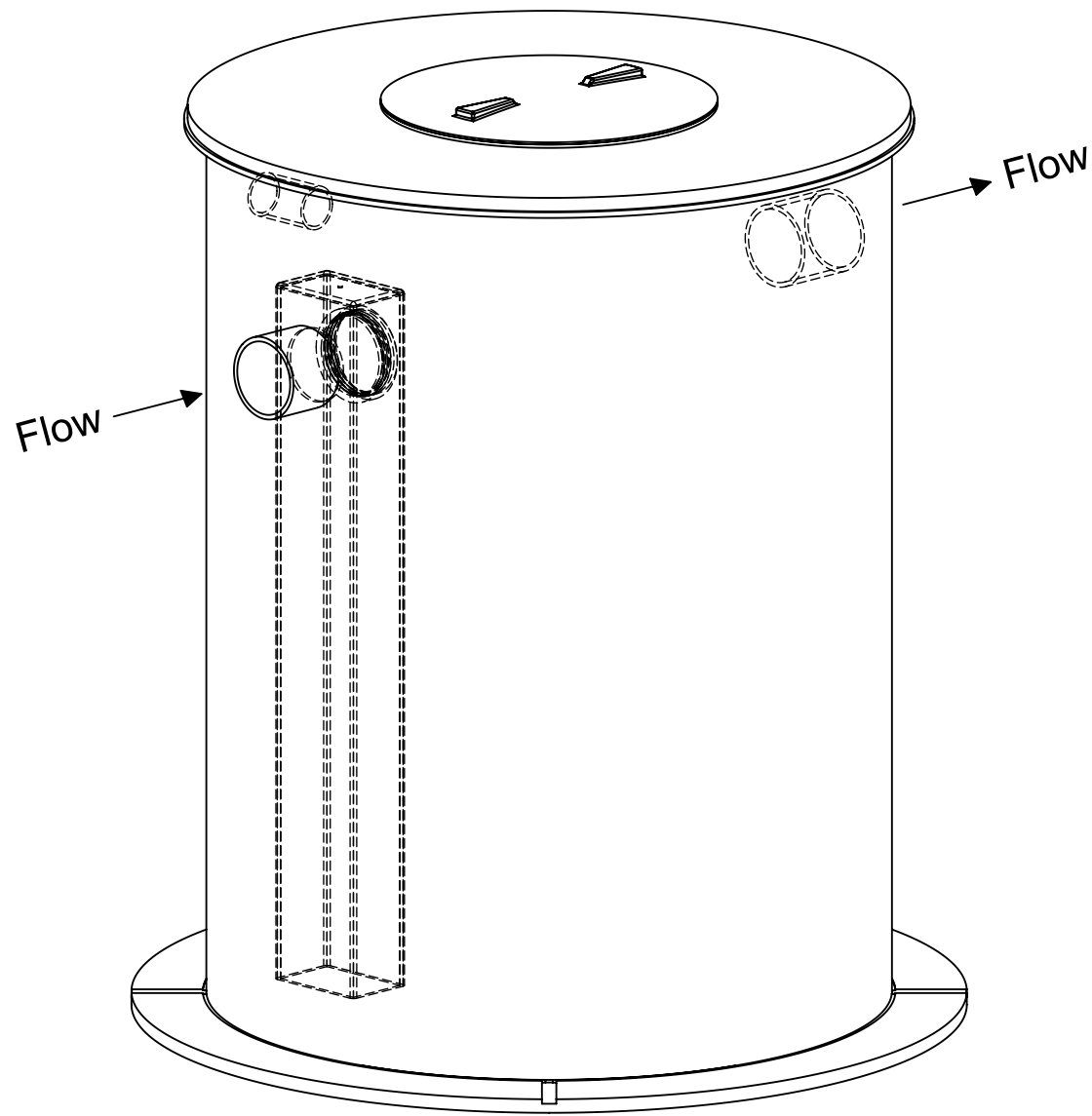
- 4" inlet and outlet connections, 2" vent connection.
- Liquid holding capacity: 156 Gallons
- Unit weight w/std. cover: 86 Pounds
- Maximum operating temperature 140°F continuous.

**NOTES**

- For gravity drainage applications only. Do not use for pressure applications.
- 3/8" thick seamless polyethylene walls.
- Cover placement allows full access to tank for proper maintenance.
- Unit for above grade installation

**ENGINEER SPECIFICATION GUIDE**

Striem NT Series neutralization tank model NT-150-A shall be lifetime guaranteed and Made in USA of seamless, rotationally-molded Polyethylene with minimum 3/8" uniform wall thickness. Tank shall be furnished with inlets, outlets, vents, cover, bracing, riser system, monitoring equipment and other modifications per jobsite-specific conditions and per engineer's specification.



**Directions: Complete steps 1-5 and submit signed with purchase order**

<b>1 Diptube Location:</b> <input type="checkbox"/> Inlet <input type="checkbox"/> Outlet <input type="checkbox"/> Both	<b>2 Connections</b>		
	<b>Inlet</b> <input type="checkbox"/> Plain End <input type="checkbox"/> Female Thread <input type="checkbox"/> Flanged  <b>Size</b> <input type="checkbox"/> 1-1/2" <input type="checkbox"/> 2" <input type="checkbox"/> 3" <input type="checkbox"/> 4" <input type="checkbox"/> 6" (Female Thread not available)	<b>Outlet</b> <input type="checkbox"/> Plain End <input type="checkbox"/> Female Thread <input type="checkbox"/> Flanged  <b>Size</b> <input type="checkbox"/> 1-1/2" <input type="checkbox"/> 2" <input type="checkbox"/> 3" <input type="checkbox"/> 4" <input type="checkbox"/> 6" (Female Thread not available)	<b>Vent</b> <input type="checkbox"/> Plain End <input type="checkbox"/> Female Thread <input type="checkbox"/> Flanged  <b>Size</b> <input type="checkbox"/> 1-1/2" <input type="checkbox"/> 2" <input type="checkbox"/> 3" <input type="checkbox"/> 4"

**3 Specify Connection Location**

I = Inlet, O = Outlet, V = Vent

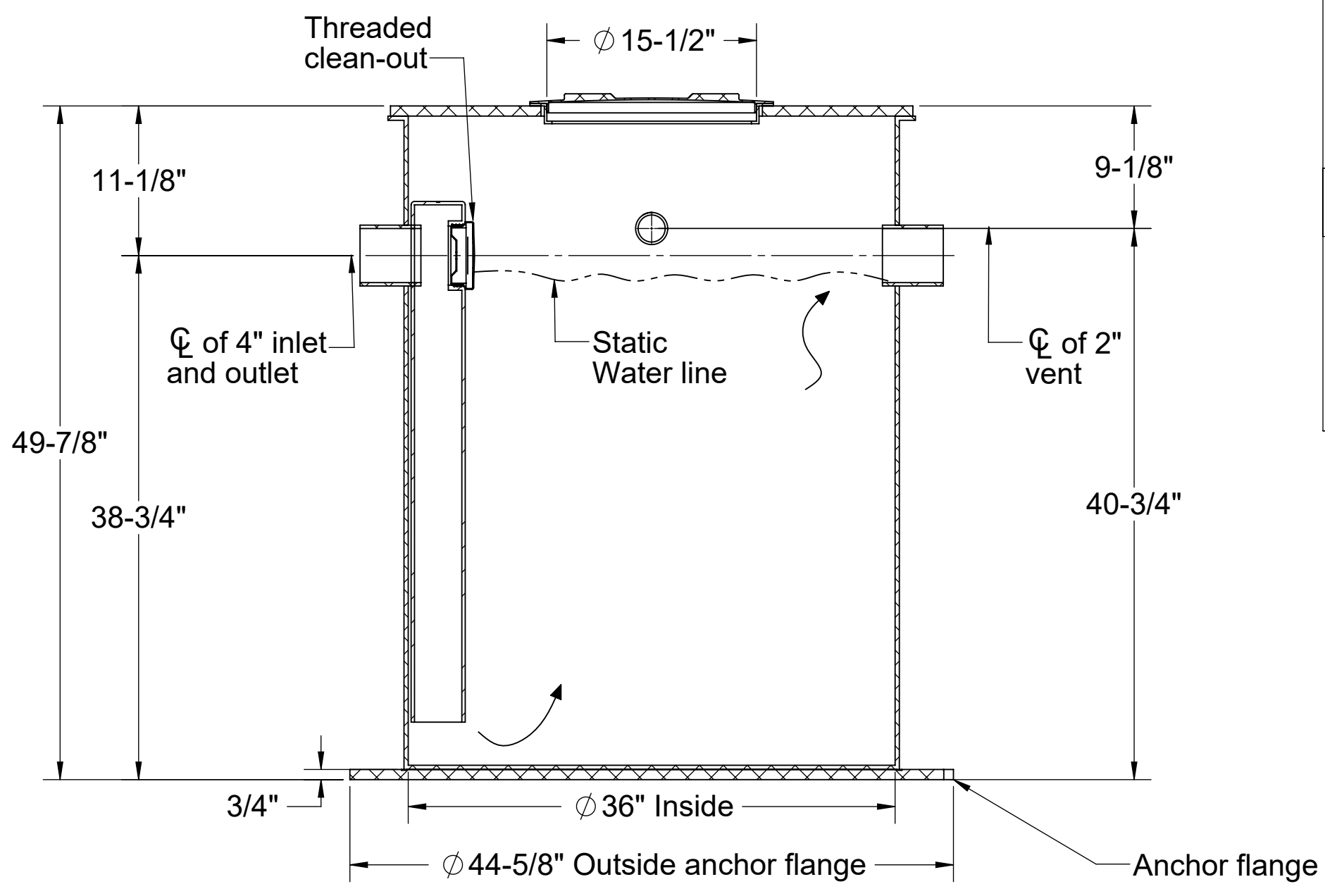
Top View

**4 Installation** (Check all that apply)

On the floor  
 Inside Concrete Vault  
 Other \_\_\_\_\_

**5 Additional Options**

90%+ Calcium Carbonate Limestone  
 Command Center pH Monitoring



**PO IS NON-CANCELABLE  
ORDER IS NON-RETURNABLE**

Signature of Approval: \_\_\_\_\_

Company: \_\_\_\_\_

Date of Approval: \_\_\_\_\_

Specifying Engineer: \_\_\_\_\_

Engineering Firm: \_\_\_\_\_

<b>MODEL NUMBER:</b> NT-150-A	
<b>DESCRIPTION:</b> ABOVE GRAND CHEMICAL WASTE TANK 156 LIQUID HOLDING CAPACITY	
<b>DWG BY:</b> MJ	<b>DATE:</b> 09/21/18
<b>REV:</b>	<b>ECO:</b>

**SPECIFICATION SHEET**

**Striem**  
 3100 Brinkerhoff  
 Kansas City, KS 66115  
 Tel: 913-222-1500  
 Fax: 913-291-0457  
 www.striemco.com



**Made in the U.S.A**

PROPRIETARY AND CONFIDENTIAL  
 THE INFORMATION CONTAINED IN THIS DRAWING IS THE SOLE PROPERTY OF STRIEM, LLC. ANY REPRODUCTION IN PART OR AS A WHOLE WITHOUT THE WRITTEN PERMISSION OF STRIEM, LLC. IS PROHIBITED.