

SPECIFICATIONS (NT-55-B)

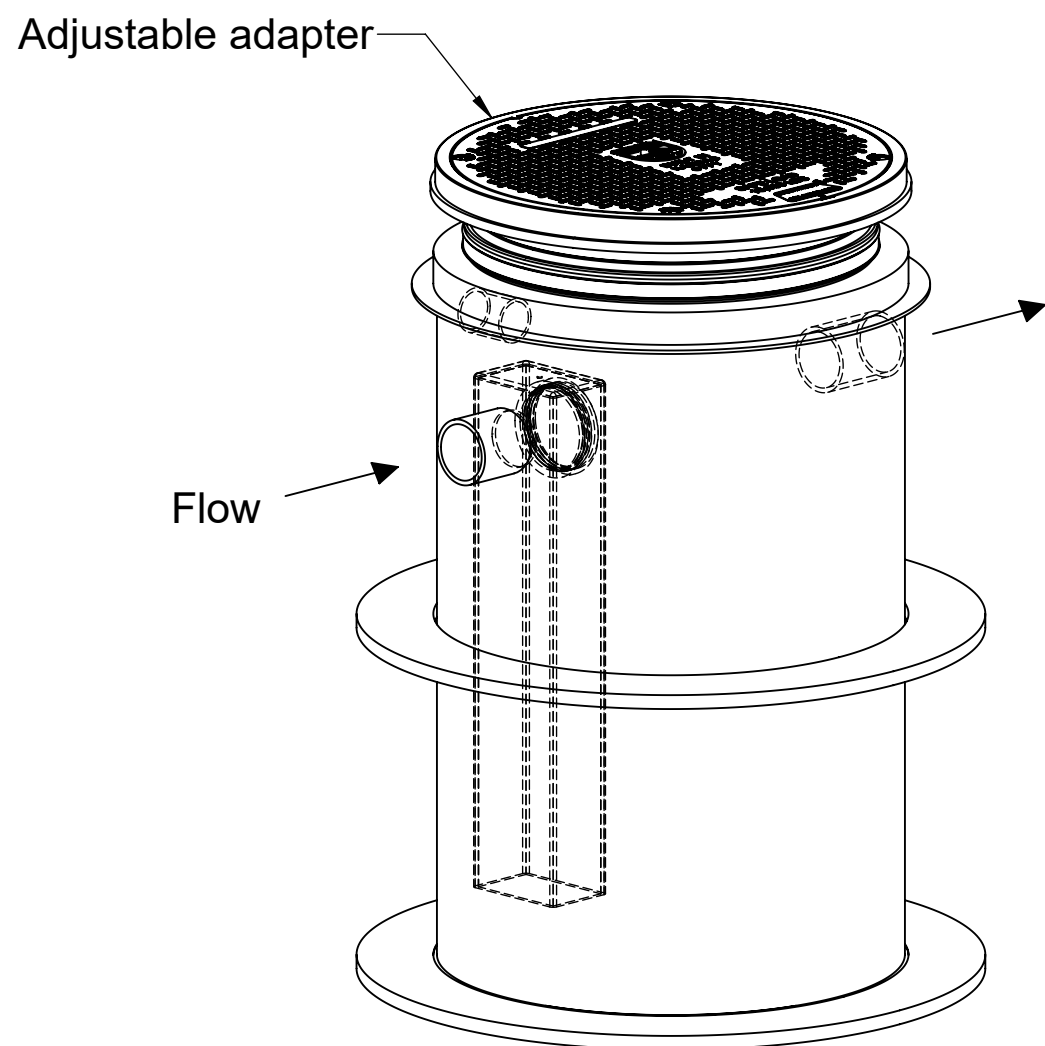
- 3" inlet and outlet connections, 2" vent connection.
- Liquid holding capacity: 55 Gallons
- Unit weight w/std. cover: 116 Pounds
- 16,000 lb. load rated, bolted, gas/water tight composite covers.
- Maximum operating temperature 140 °F continuous.

NOTES

- For gravity drainage applications only. Do not use for pressure applications.
- 3/8" thick seamless high density polyethylene walls.
- Unit supplied with built-in adapter for up to 6" of adjustability. Additional riser(s) are also available for deeper burial depth.
- Cover placement allows full access to tank for proper maintenance.
- Unit for below grade installation.

ENGINEER SPECIFICATION GUIDE

Striem NT Series neutralization tank model NT-55-B shall be lifetime guaranteed and Made in USA of seamless, rotationally-molded Polyethylene with minimum 3/8" uniform wall thickness. Tank shall be furnished with inlets, outlets, vents, cover, bracing, riser system, monitoring equipment and other modifications per jobsite-specific conditions and per engineer's specification.

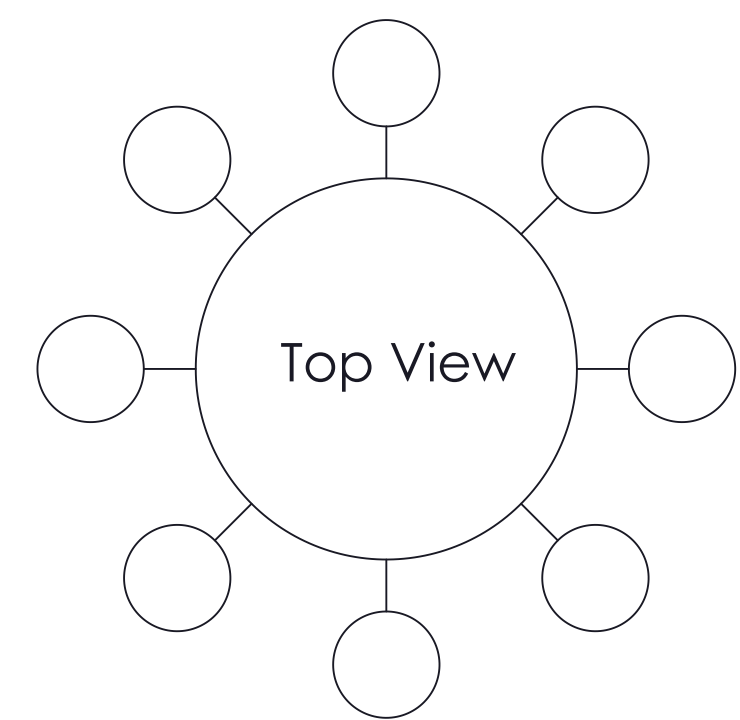


Directions: Complete steps 1-6 and submit signed with purchase order

1 Diptube Location: <input type="checkbox"/> Inlet <input type="checkbox"/> Outlet <input type="checkbox"/> Both	2 Connections <table border="0"> <tr> <td>Inlet</td> <td>Outlet</td> <td>Vent</td> </tr> <tr> <td><input type="checkbox"/> Plain End</td> <td><input type="checkbox"/> Plain End</td> <td><input type="checkbox"/> Plain End</td> </tr> <tr> <td><input type="checkbox"/> Female Thread</td> <td><input type="checkbox"/> Female Thread</td> <td><input type="checkbox"/> Female Thread</td> </tr> <tr> <td><input type="checkbox"/> Flanged</td> <td><input type="checkbox"/> Flanged</td> <td><input type="checkbox"/> Flanged</td> </tr> <tr> <td>Size</td> <td>Size</td> <td>Size</td> </tr> <tr> <td><input type="checkbox"/> 1-1/2"</td> <td><input type="checkbox"/> 1-1/2"</td> <td><input type="checkbox"/> 1-1/2"</td> </tr> <tr> <td><input type="checkbox"/> 2"</td> <td><input type="checkbox"/> 2"</td> <td><input type="checkbox"/> 2"</td> </tr> <tr> <td><input type="checkbox"/> 3"</td> <td><input type="checkbox"/> 3"</td> <td><input type="checkbox"/> 3"</td> </tr> <tr> <td><input type="checkbox"/> 4"</td> <td><input type="checkbox"/> 4"</td> <td><input type="checkbox"/> 4"</td> </tr> <tr> <td><input type="checkbox"/> 6" (Female Thread not available)</td> <td><input type="checkbox"/> 6" (Female Thread not available)</td> <td></td> </tr> </table>	Inlet	Outlet	Vent	<input type="checkbox"/> Plain End	<input type="checkbox"/> Plain End	<input type="checkbox"/> Plain End	<input type="checkbox"/> Female Thread	<input type="checkbox"/> Female Thread	<input type="checkbox"/> Female Thread	<input type="checkbox"/> Flanged	<input type="checkbox"/> Flanged	<input type="checkbox"/> Flanged	Size	Size	Size	<input type="checkbox"/> 1-1/2"	<input type="checkbox"/> 1-1/2"	<input type="checkbox"/> 1-1/2"	<input type="checkbox"/> 2"	<input type="checkbox"/> 2"	<input type="checkbox"/> 2"	<input type="checkbox"/> 3"	<input type="checkbox"/> 3"	<input type="checkbox"/> 3"	<input type="checkbox"/> 4"	<input type="checkbox"/> 4"	<input type="checkbox"/> 4"	<input type="checkbox"/> 6" (Female Thread not available)	<input type="checkbox"/> 6" (Female Thread not available)	
		Inlet	Outlet	Vent																											
<input type="checkbox"/> Plain End	<input type="checkbox"/> Plain End	<input type="checkbox"/> Plain End																													
<input type="checkbox"/> Female Thread	<input type="checkbox"/> Female Thread	<input type="checkbox"/> Female Thread																													
<input type="checkbox"/> Flanged	<input type="checkbox"/> Flanged	<input type="checkbox"/> Flanged																													
Size	Size	Size																													
<input type="checkbox"/> 1-1/2"	<input type="checkbox"/> 1-1/2"	<input type="checkbox"/> 1-1/2"																													
<input type="checkbox"/> 2"	<input type="checkbox"/> 2"	<input type="checkbox"/> 2"																													
<input type="checkbox"/> 3"	<input type="checkbox"/> 3"	<input type="checkbox"/> 3"																													
<input type="checkbox"/> 4"	<input type="checkbox"/> 4"	<input type="checkbox"/> 4"																													
<input type="checkbox"/> 6" (Female Thread not available)	<input type="checkbox"/> 6" (Female Thread not available)																														

3 Specify Connection Location

I = Inlet, O = Outlet, V= Vent



4 TeleGlide Riser Options

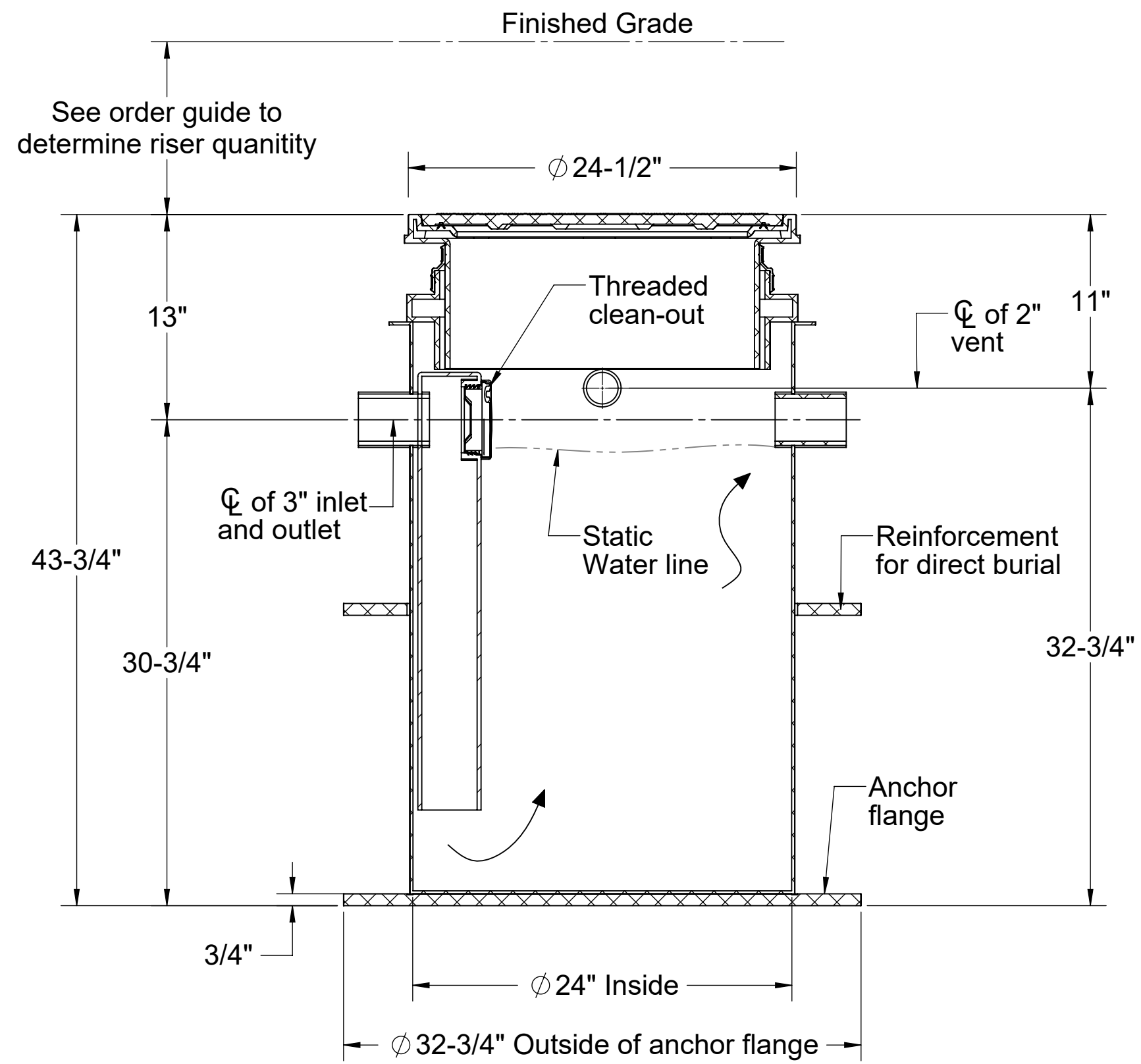
- SR24, 6"-24"
- LR24, 24"-39"
- SR24 (2), 39"-43"
- SR24 + LR24, 43"-58"
- LR24 (2), 58"-72"

5 Installation (Check all that apply)

- On the floor
- Direct Bury
- Inside Concrete Vault
- Possible high water table area
- Other _____

6 Additional Options

- 90%+ Calcium Carbonate Limestone
- Command Center pH Monitoring



Signature of Approval: _____

Company: _____

Date of Approval: _____

Specifying Engineer: _____

Engineering Firm: _____

**PO IS NON-CANCELABLE
ORDER IS NON-RETURNABLE**

PROPRIETARY AND CONFIDENTIAL

THE INFORMATION CONTAINED IN THIS DRAWING IS THE SOLE PROPERTY OF STRIEM, LLC. ANY REPRODUCTION IN PART OR AS A WHOLE WITHOUT THE WRITTEN PERMISSION OF STRIEM, LLC IS PROHIBITED.

MODEL NUMBER:	NT-55-B
DESCRIPTION:	BELOW GRADE CHEMICAL WASTE TANK 55 GALLON LIQUID HOLDING CAPACITY
DWG BY:	MJ
DATE:	09/21/18
REV:	
ECO:	

SPECIFICATION SHEET

Striem
3100 Brinkerhoff
Kansas City, KS 66115
Tel: 913-222-1500
Fax: 913-291-0457
www.striemco.com



Made in the U.S.A