

SPECIFICATIONS (NT-55-A)

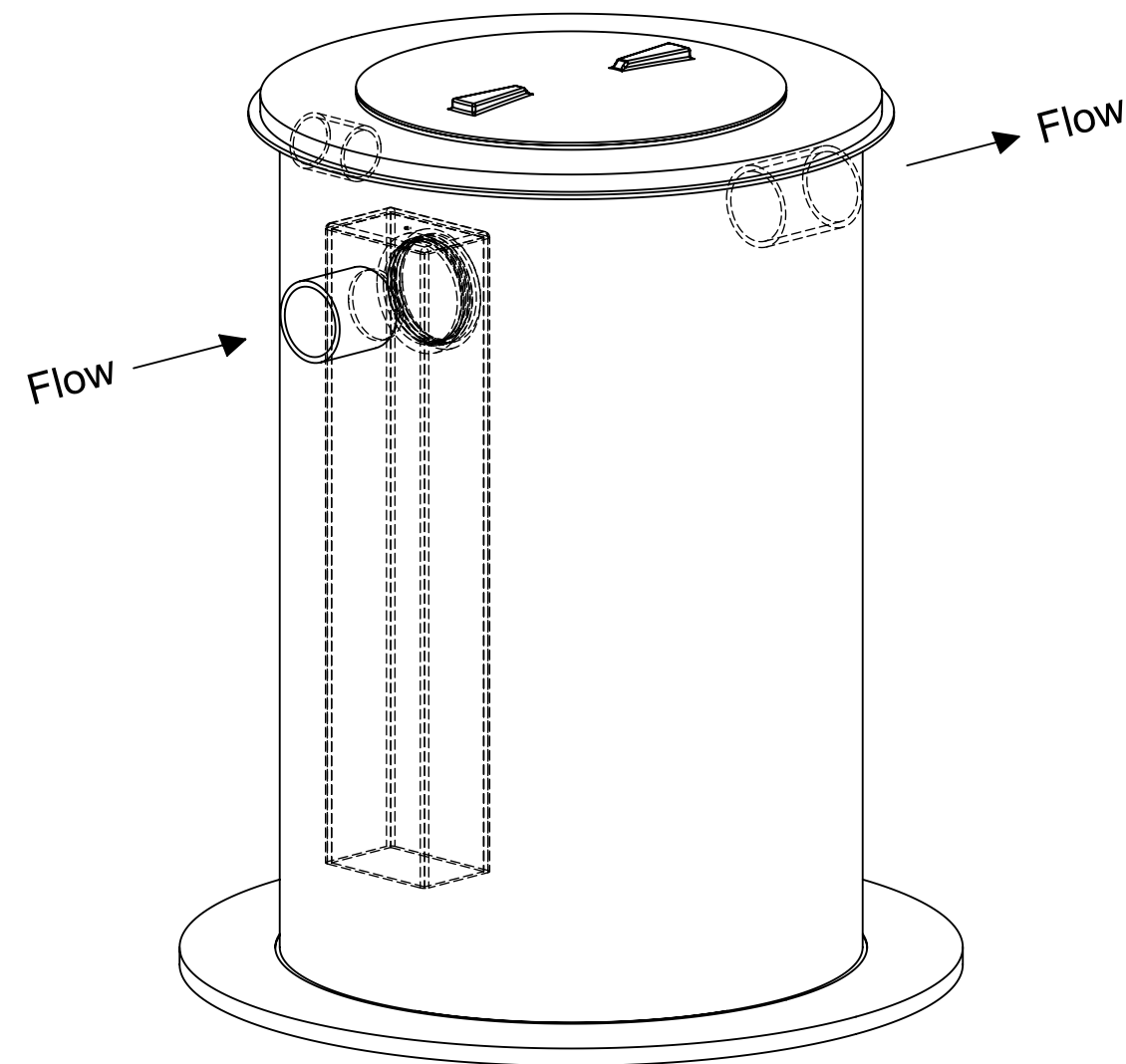
1. 3" inlet and outlet connections, 2" vent connection.
2. Liquid holding capacity: 55 Gallons
3. Unit weight w/std. cover: 43 Pounds
4. Maximum operating temperature 140°F continuous.

NOTES

1. For gravity drainage applications only. Do not use for pressure applications.
2. 3/8" thick seamless polyethylene walls.
3. Cover placement allows full access to tank for proper maintenance.
4. Unit for above grade installation

ENGINEER SPECIFICATION GUIDE

Striem NT Series neutralization tank model NT-55-A shall be lifetime guaranteed and Made in USA of seamless, rotationally-molded Polyethylene with minimum 3/8" uniform wall thickness. Tank shall be furnished with inlets, outlets, vents, cover, monitoring equipment and other modifications per jobsite-specific conditions and per engineer's specification.



**PO IS NON-CANCELABLE
ORDER IS NON-RETURNABLE**

Directions: Complete steps 1-5 and submit signed with purchase order

1 Diptube Location:

- Inlet
- Outlet
- Both

2

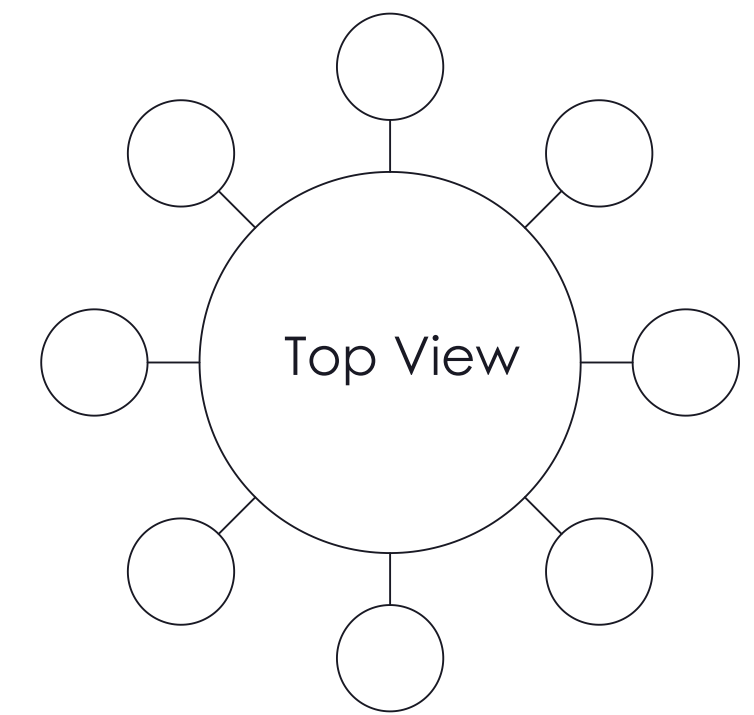
Connections

- | | | |
|---|--|---|
| <p>Inlet</p> <ul style="list-style-type: none"> <input type="checkbox"/> Plain End <input type="checkbox"/> Female Thread <input type="checkbox"/> Flanged <p>Size</p> <ul style="list-style-type: none"> <input type="checkbox"/> 1-1/2" <input type="checkbox"/> 2" <input type="checkbox"/> 3" <input type="checkbox"/> 4" <input type="checkbox"/> 6" (Female Thread not available) | <p>Outlet</p> <ul style="list-style-type: none"> <input type="checkbox"/> Plain End <input type="checkbox"/> Female Thread <input type="checkbox"/> Flanged <p>Size</p> <ul style="list-style-type: none"> <input type="checkbox"/> 1-1/2" <input type="checkbox"/> 2" <input type="checkbox"/> 3" <input type="checkbox"/> 4" <input type="checkbox"/> 6" (Female Thread not available) | <p>Vent</p> <ul style="list-style-type: none"> <input type="checkbox"/> Plain End <input type="checkbox"/> Female Thread <input type="checkbox"/> Flanged <p>Size</p> <ul style="list-style-type: none"> <input type="checkbox"/> 1-1/2" <input type="checkbox"/> 2" <input type="checkbox"/> 3" <input type="checkbox"/> 4" |
|---|--|---|

3

Specify Connection Location

I = Inlet, O = Outlet, V= Vent



4

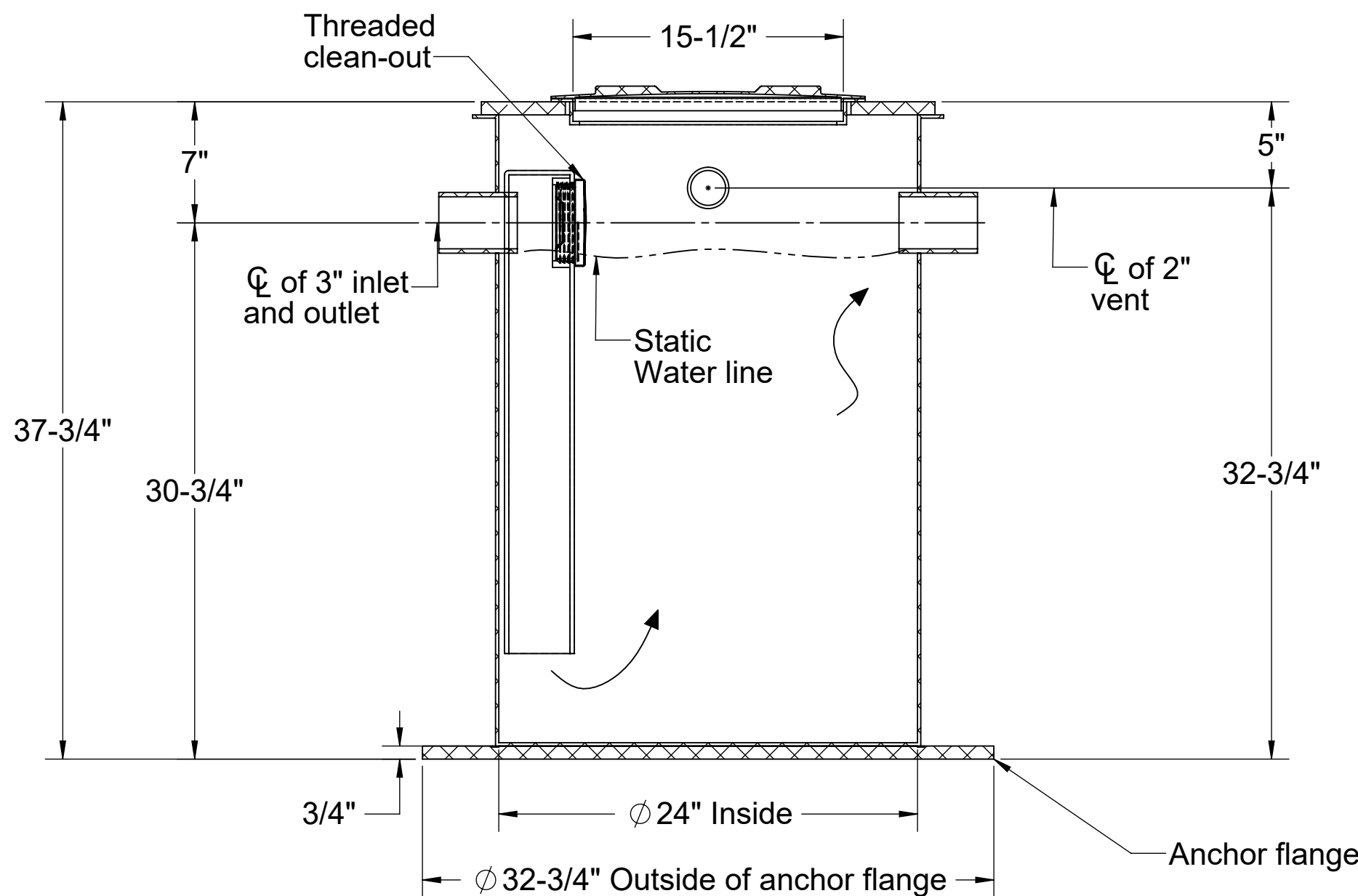
Installation (Check all that apply)

- On the floor
- Inside Concrete Vault
- Other _____

5

Additional Options

- 90%+ Calcium Carbonate Limestone
- Command Center pH Monitoring



Signature of Approval: _____

Company: _____

Date of Approval: _____

Specifying Engineer: _____

Engineering Firm: _____

PROPRIETARY AND CONFIDENTIAL

THE INFORMATION CONTAINED IN THIS DRAWING IS THE SOLE PROPERTY OF STRIEM, LLC. ANY REPRODUCTION IN PART OR AS A WHOLE WITHOUT THE WRITTEN PERMISSION OF STRIEM, LLC. IS PROHIBITED.

MODEL NUMBER: NT-55-A

DESCRIPTION:
ABOVE GRADE CHEMICAL WASTE TANK
55 GALLON LIQUID HOLDING CAPACITY

DWG BY: MJ **DATE:** 09/21/18 **REV:** **ECO:**

SPECIFICATION SHEET

Striem
3100 Brinkerhoff
Kansas City, KS 66115
Tel: 913-222-1500
Fax: 913-291-0457
www.striemco.com

Made in the U.S.A

