

SPECIFICATIONS (NT-30-B)

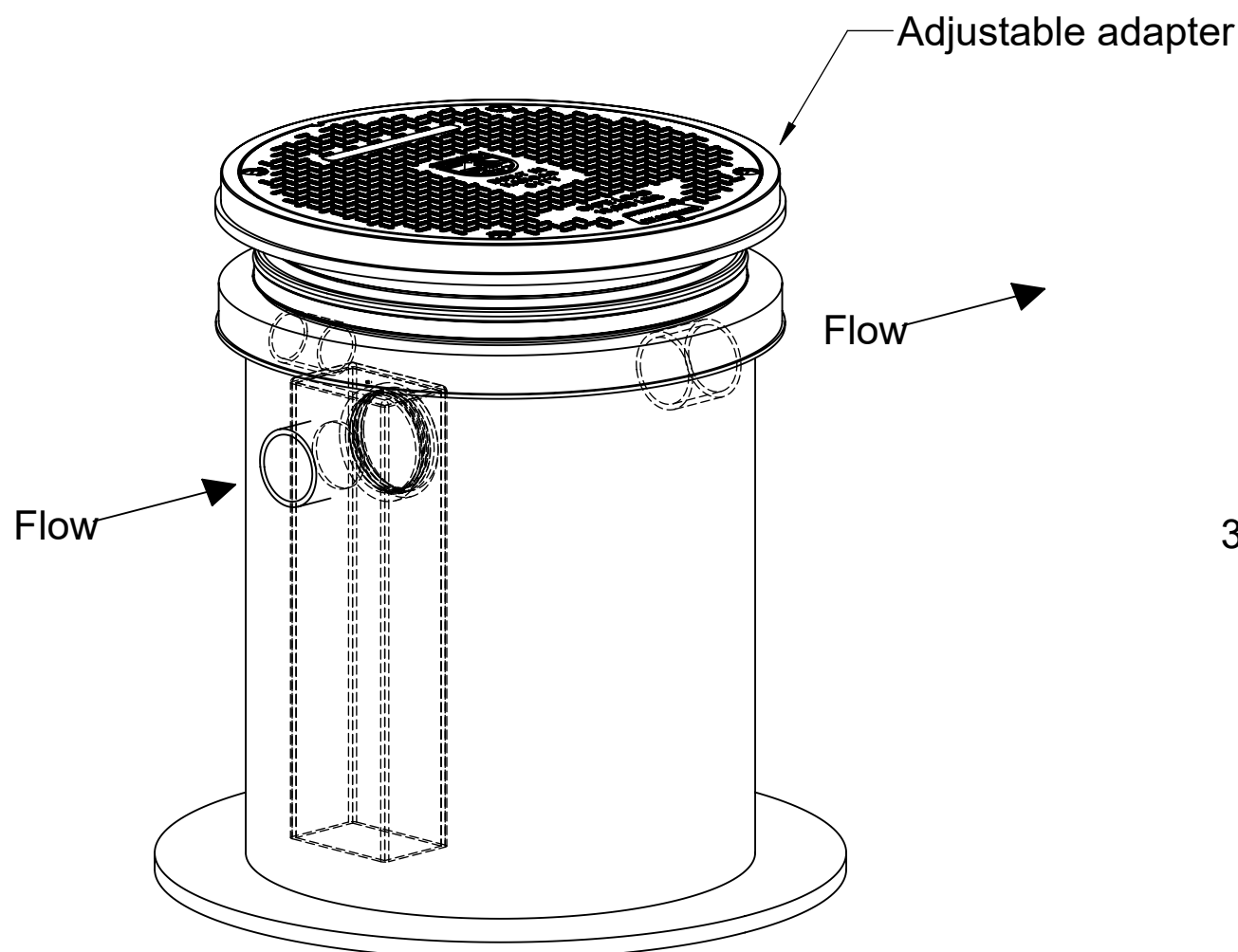
- 3" inlet and outlet connections, 2" vent connection.
- Liquid holding capacity: 30 Gallons
- Unit weight w/std. cover: 66 Pounds
- 16,000 lb. load rated, bolted, gas/water tight composite covers.
- Maximum operating temperature 140°F continuous.

NOTES

- For gravity drainage applications only. Do not use for pressure applications.
- 3/8" thick seamless high density polyethylene walls.
- Unit supplied with built-in adapter for up to 3-1/2" of adjustability. Additional riser(s) are also available for deeper burial depth.
- Cover placement allows full access to tank for proper maintenance.
- Unit for below grade installation.

ENGINEER SPECIFICATION GUIDE

Striem NT Series neutralization tank model NT-30-B shall be lifetime guaranteed and Made in USA of seamless, rotationally-molded Polyethylene with minimum 3/8" uniform wall thickness. Tank shall be furnished with inlets, outlets, vents, cover, bracing, riser system, monitoring equipment and other modifications per jobsite-specific conditions and per engineer's specification.

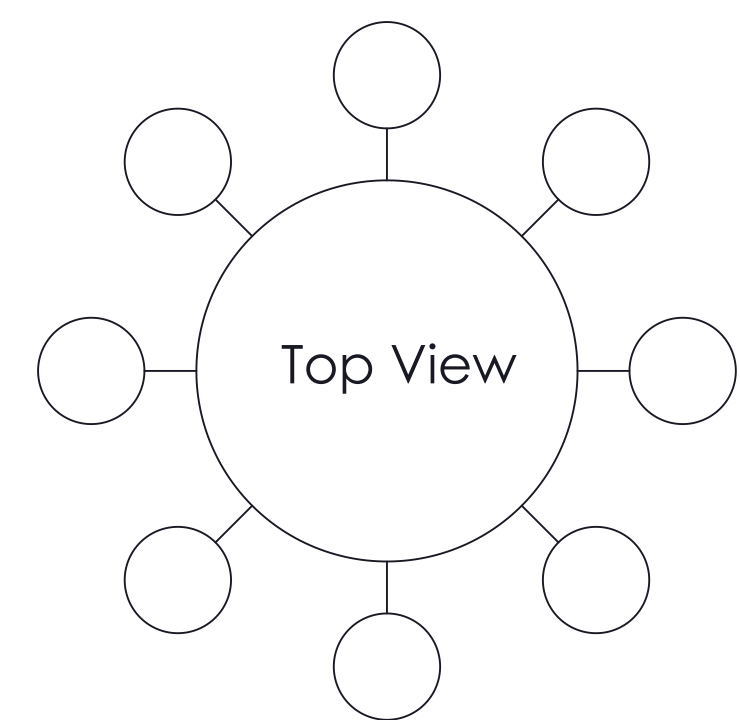


Directions: Complete steps 1-6 and submit signed submittal with purchase order

1 Diptube Location: <input type="checkbox"/> Inlet <input type="checkbox"/> Outlet <input type="checkbox"/> Both	2	Connections		
		Inlet <input type="checkbox"/> Plain End <input type="checkbox"/> Female Thread <input type="checkbox"/> Flanged Size <input type="checkbox"/> 1-1/2" <input type="checkbox"/> 2" <input type="checkbox"/> 3" <input type="checkbox"/> 4"	Outlet <input type="checkbox"/> Plain End <input type="checkbox"/> Female Thread <input type="checkbox"/> Flanged Size <input type="checkbox"/> 1-1/2" <input type="checkbox"/> 2" <input type="checkbox"/> 3" <input type="checkbox"/> 4"	Vent <input type="checkbox"/> Plain End <input type="checkbox"/> Female Thread <input type="checkbox"/> Flanged Size <input type="checkbox"/> 1-1/2" <input type="checkbox"/> 2" <input type="checkbox"/> 3" <input type="checkbox"/> 4"

3 Specify Connection Location

I = Inlet, O = Outlet, V= Vent



4 TeleGlide Riser Options

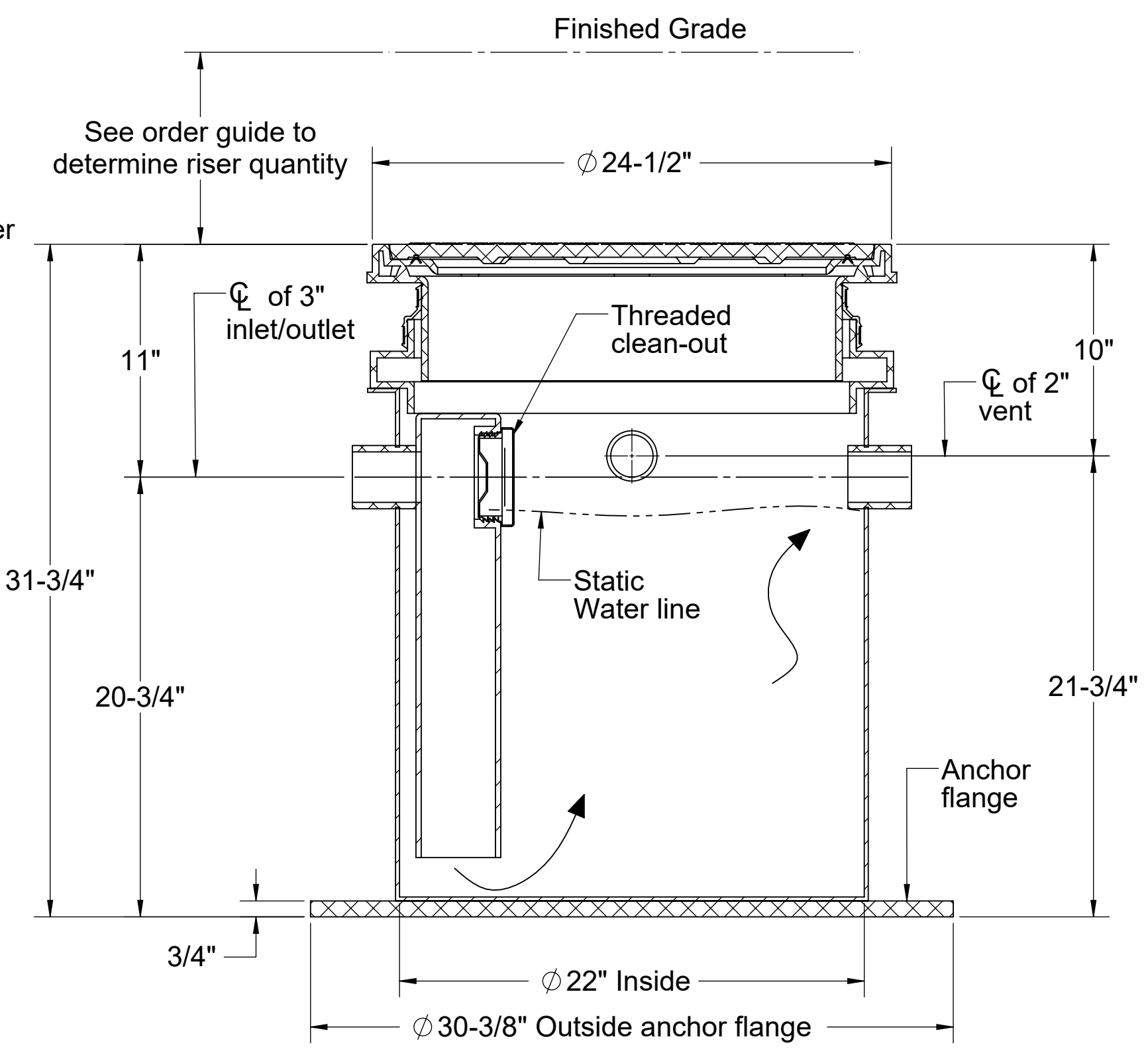
- SR24, 3-1/2"-22"
- LR24, 22"-37"
- SR24 (2), 37"-41"
- SR24 + LR24, 41"-56"
- LR24 (2), 56"-70"

5 Installation (Check all that apply)

- On the floor
- Direct Bury
- Inside Concrete Vault
- Possible high water table area
- Other _____

6 Additional Options

- 90%+ Calcium Carbonate Limestone
- Command Center pH Monitoring



Signature of Approval: _____

Company: _____

Date of Approval: _____

Specifying Engineer: _____

Engineering Firm: _____

**PO IS NON-CANCELABLE
ORDER IS NON-RETURNABLE**

PROPRIETARY AND CONFIDENTIAL

THE INFORMATION CONTAINED IN THIS DRAWING IS THE SOLE PROPERTY OF STRIEM, LLC. ANY REPRODUCTION IN PART OR AS A WHOLE WITHOUT THE WRITTEN PERMISSION OF STRIEM, LLC. IS PROHIBITED.

MODEL NUMBER:	NT-30-B
DESCRIPTION:	BELOW GRADE CHEMICAL WASTE TANK 30 GALLON LIQUID HOLDING CAPACITY
DWG BY:	MJ
DATE:	09/21/18
REV:	0
ECO:	

SPECIFICATION SHEET

Striem
 3100 Brinkerhoff
 Kansas City, KS 66115
 Tel: 913-222-1500
 Fax: 913-291-0457
 www.striemco.com



Made in the U.S.A