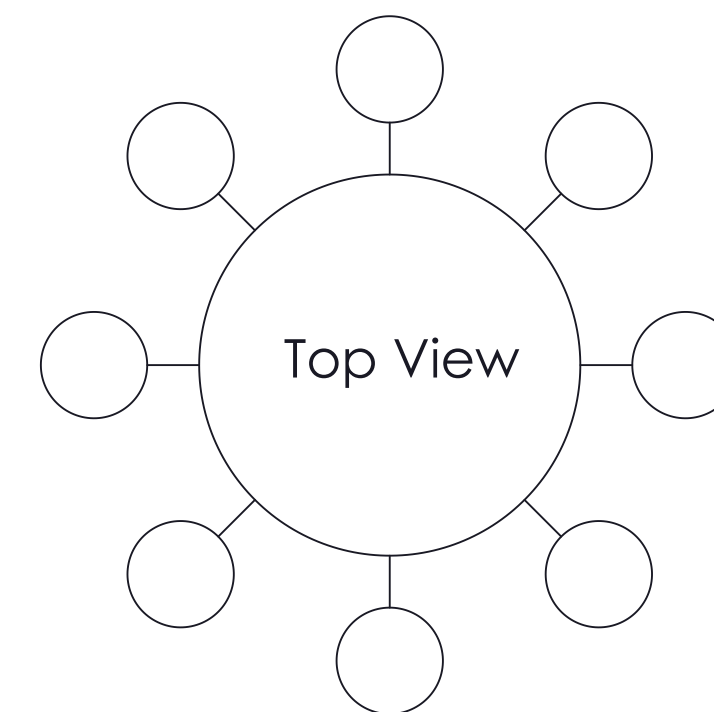


Directions: Complete steps 1-5 and submit signed with purchase order

3

Specify Connection Location

I = Inlet, O = Outlet, V= Vent



SPECIFICATIONS (NT-30-A)

1. 3" inlet and outlet connections, 2" vent connection.
2. Liquid holding capacity: 30 Gallons
3. Unit weight w/std. cover: 32 Pounds
4. Maximum operating temperature 140°F continuous.

NOTES

1. For gravity drainage applications only. Do not use for pressure applications.
2. 3/8" thick seamless polyethylene walls.
3. Cover placement allows full access to tank for proper maintenance.
4. Unit for above grade installation

ENGINEER SPECIFICATION GUIDE

Striem NT Series neutralization tank model NT-30-A shall be lifetime guaranteed and Made in USA of seamless, rotationally-molded Polyethylene with minimum 3/8" uniform wall thickness. Tank shall be furnished with inlets, outlets, vents, cover, monitoring equipment and other modifications per jobsite-specific conditions and per engineer's specification.

1 Diptube Location:

- Inlet
- Outlet
- Both

2

Connections

- | | | |
|--|---|---|
| <p>Inlet</p> <ul style="list-style-type: none"> <input type="checkbox"/> Plain End <input type="checkbox"/> Female Thread <input type="checkbox"/> Flanged <p>Size</p> <ul style="list-style-type: none"> <input type="checkbox"/> 1-1/2" <input type="checkbox"/> 2" <input type="checkbox"/> 3" <input type="checkbox"/> 4" | <p>Outlet</p> <ul style="list-style-type: none"> <input type="checkbox"/> Plain End <input type="checkbox"/> Female Thread <input type="checkbox"/> Flanged <p>Size</p> <ul style="list-style-type: none"> <input type="checkbox"/> 1-1/2" <input type="checkbox"/> 2" <input type="checkbox"/> 3" <input type="checkbox"/> 4" | <p>Vent</p> <ul style="list-style-type: none"> <input type="checkbox"/> Plain End <input type="checkbox"/> Female Thread <input type="checkbox"/> Flanged <p>Size</p> <ul style="list-style-type: none"> <input type="checkbox"/> 1-1/2" <input type="checkbox"/> 2" <input type="checkbox"/> 3" <input type="checkbox"/> 4" |
|--|---|---|

4

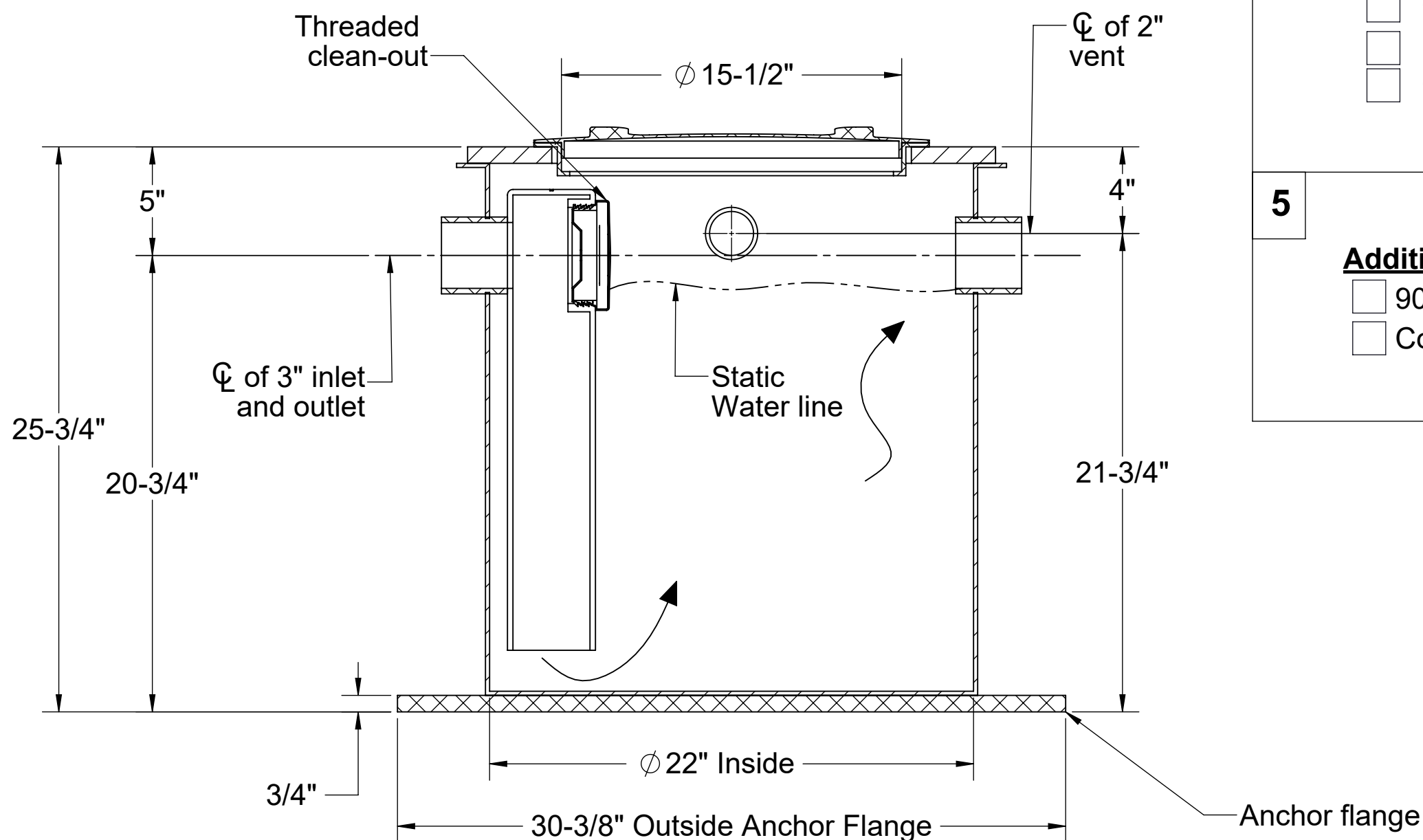
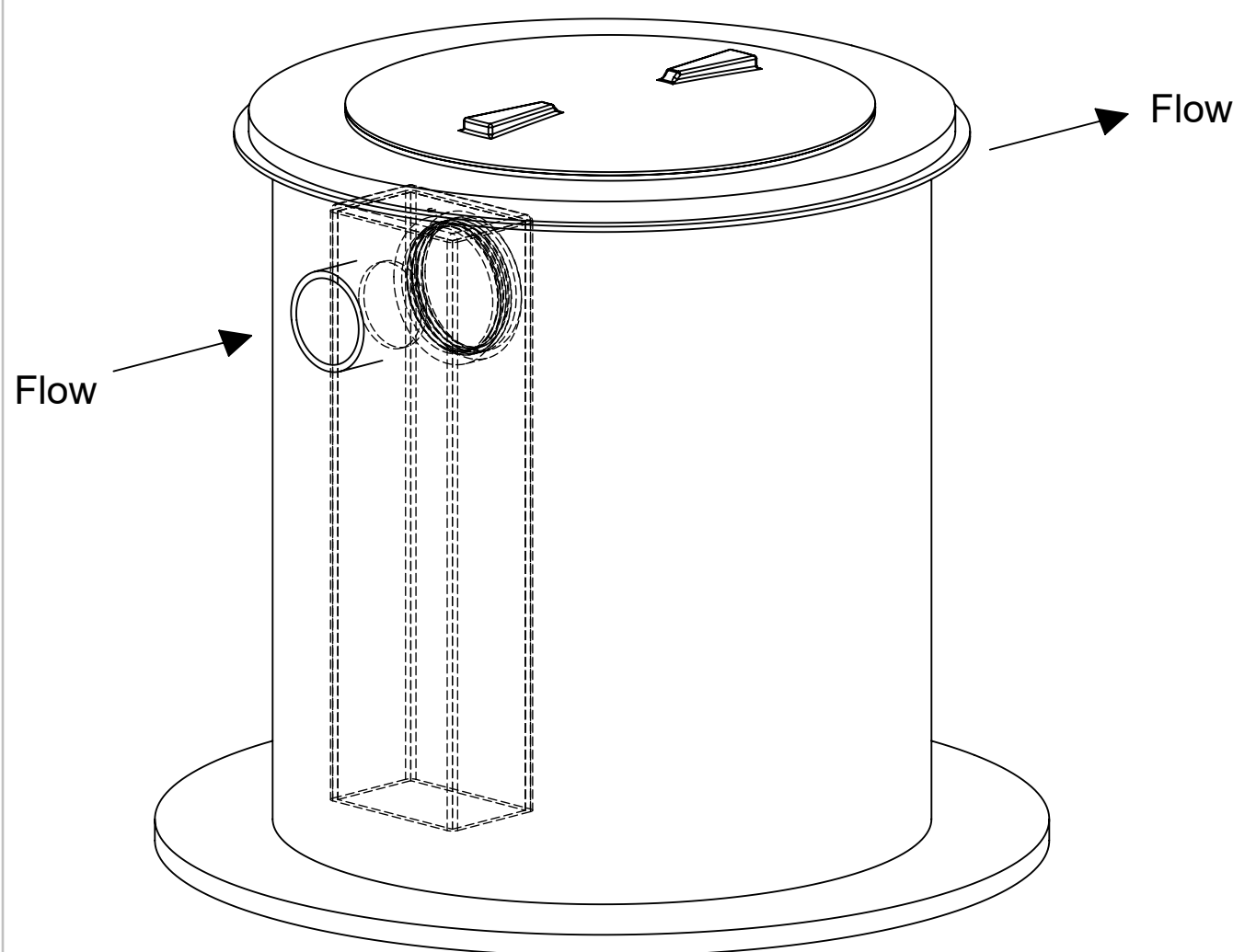
Installation (Check all that apply)

- On the floor
- Inside Concrete Vault
- Other _____

5

Additional Options

- 90%+ Calcium Carbonate Limestone
- Command Center pH Monitoring



**PO IS NON-CANCELABLE
ORDER IS NON-RETURNABLE**

Signature of Approval: _____
 Company: _____
 Date of Approval: _____
 Specifying Engineer: _____
 Engineering Firm: _____

PROPRIETARY AND CONFIDENTIAL

THE INFORMATION CONTAINED IN THIS DRAWING IS THE SOLE PROPERTY OF STRIEM, LLC. ANY REPRODUCTION IN PART OR AS A WHOLE WITHOUT THE WRITTEN PERMISSION OF STRIEM, LLC. IS PROHIBITED.

MODEL NUMBER: NT-30-A	
DESCRIPTION: ABOVE GRADE CHEMICAL WASTE TANK 30 GALLON LIQUID HOLDING CAPACITY	
DWG BY: MJ	DATE: 09/21/18
REV:	ECO:

SPECIFICATION SHEET

Striem
 3100 Brinkerhoff
 Kansas City, KS 66115
 Tel: 913-222-1500
 Fax: 913-291-0457
 www.striemco.com

Made in the U.S.A

