

**SPECIFICATIONS (LB-25)**

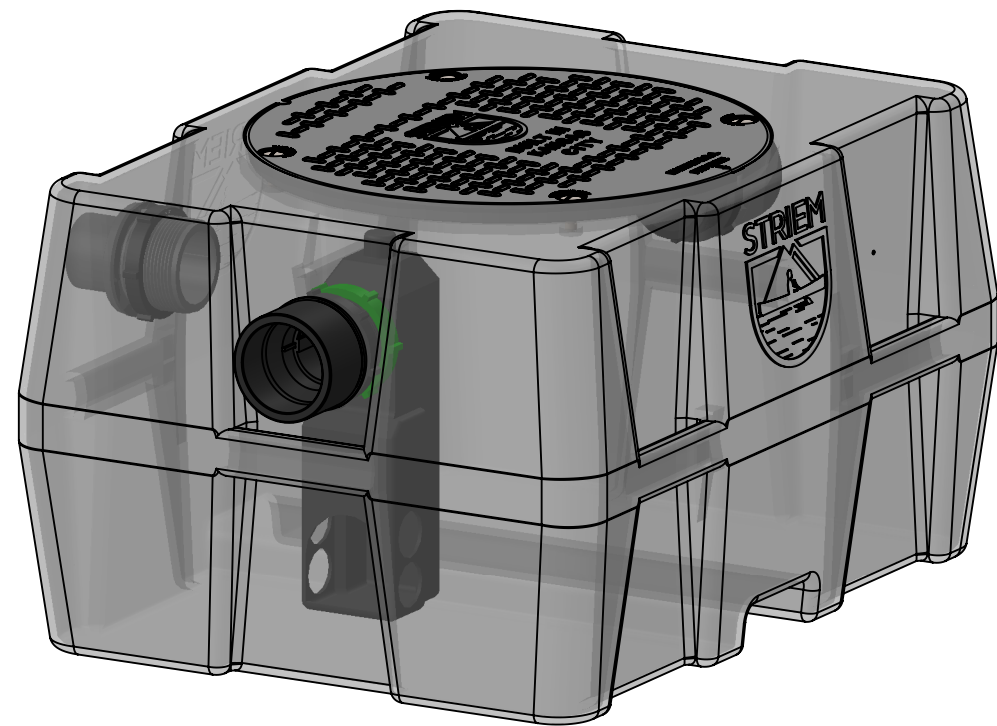
1. 3" inlet and outlet connections, 2" vent connection.
2. Liquid holding capacity: 21 Gallons
3. Unit weight w/std. cover: 31 Pounds
4. Composite cover: 2,000 lb capacity (standard).
5. Maximum operating temperature 140 °F continuous.

**NOTES**

1. For gravity drainage applications only. Do not use for pressure applications.
2. 3/8" thick seamless medium density polyethylene walls.
3. Cover placement allows full access to tank for proper maintenance.
4. Engineered inlet diffuser is removable to inspect/clean piping.
5. For on the-floor or buried applications.

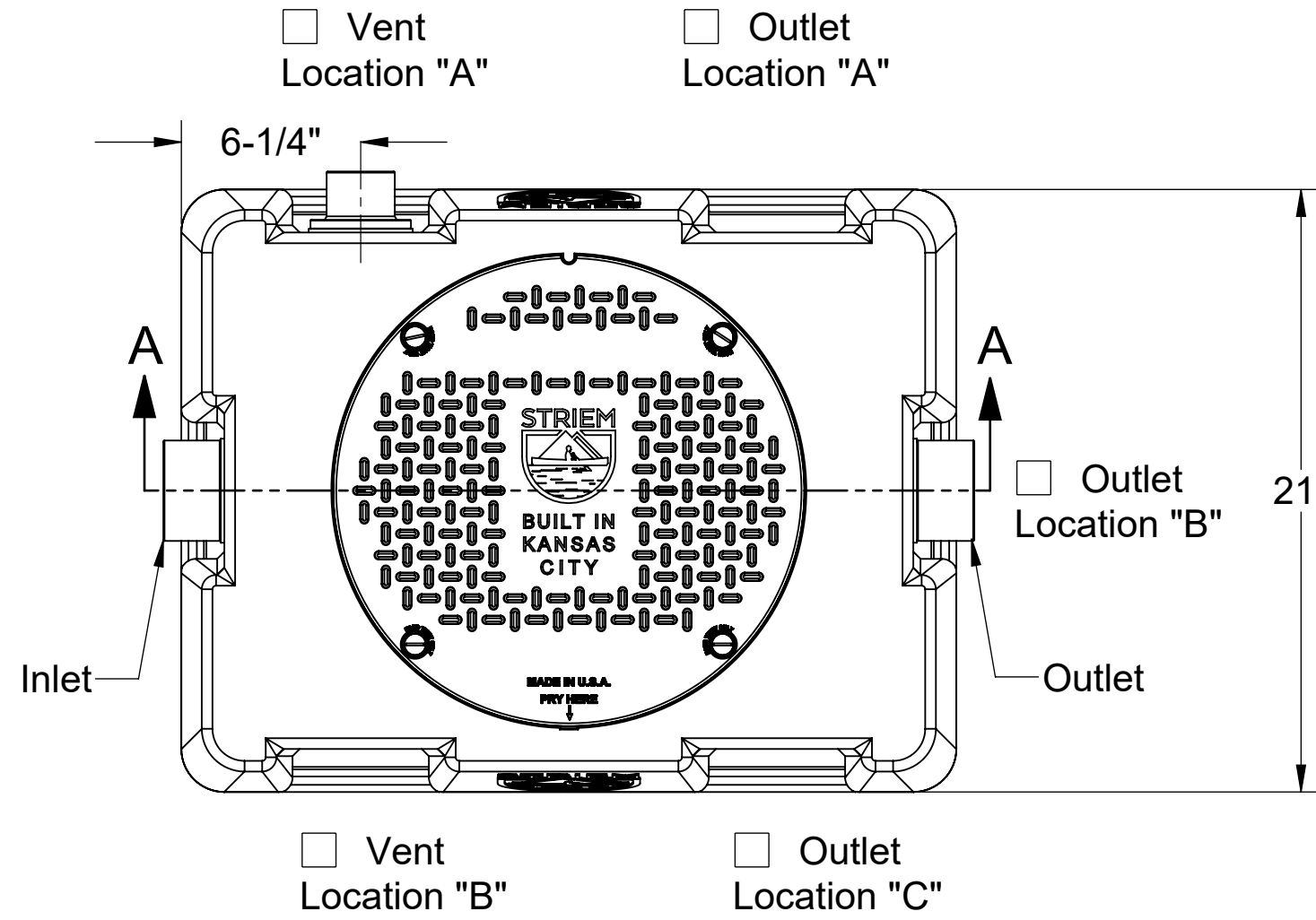
**ENGINEER SPECIFICATION GUIDE**

Striem Lab Basin™ neutralization tank model LB-25 shall be lifetime guaranteed and Made in USA of seamless, rotationally-molded polyethylene with minimum 3/8" uniform wall thickness. Tank shall be furnished with inlets, outlets, vents, cover, riser system, monitoring equipment and other modifications per jobsite-specific conditions and per engineer's specification.

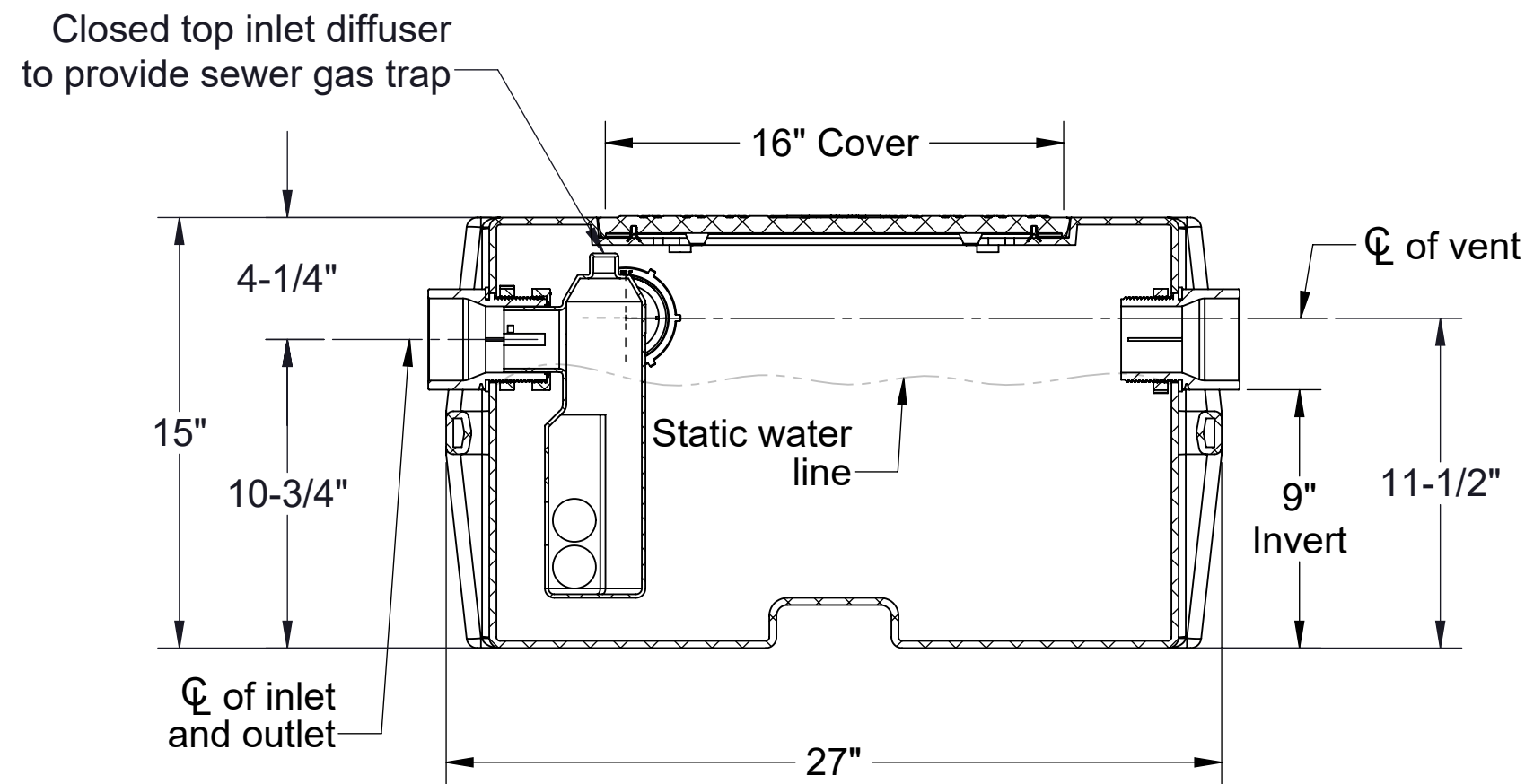


**Directions: Complete steps 1-4 and submit signed with purchase order.**

**1. Choose Connection Locations.**



**TOP VIEW**



**SECTION "A-A"**

**2. Choose Connection Types.**

- |  |                                 |
|--|---------------------------------|
| <b>Inlet</b>                           | <b>Size</b>                     |
| <input type="checkbox"/> Plain End     | <input type="checkbox"/> 1-1/2" |
| <input type="checkbox"/> Female Thread | <input type="checkbox"/> 2"     |
| <input type="checkbox"/> Flanged       | <input type="checkbox"/> 3"     |
| <b>Outlet</b>                          | <b>Size</b>                     |
| <input type="checkbox"/> Plain End     | <input type="checkbox"/> 1-1/2" |
| <input type="checkbox"/> Female Thread | <input type="checkbox"/> 2"     |
| <input type="checkbox"/> Flanged       | <input type="checkbox"/> 3"     |
| <b>Vent</b>                            | <b>Size</b>                     |
| <input type="checkbox"/> Plain End     | <input type="checkbox"/> 1-1/2" |
| <input type="checkbox"/> Female Thread | <input type="checkbox"/> 2"     |
| <input type="checkbox"/> Flanged       | <input type="checkbox"/> 3"     |

**3. Choose Diptube Locations.**

- Diptube at:**  Inlet  Outlet  Both (Ohio Code)  
(Provided on inlet if not specified)

**4. Choose Additional Options**

- SR16** - 2-1/8"-16" 16 Series Riser
- CC-1** - Command Center pH Monitoring Package
- 90%+ Calcium Carbonate Limestone

Signature of Approval: \_\_\_\_\_  
 Company: \_\_\_\_\_  
 Date of Approval: \_\_\_\_\_  
 Specifying Engineer: \_\_\_\_\_  
 Engineering Firm: \_\_\_\_\_

<b>MODEL NUMBER:</b>	LB-25
<b>DESCRIPTION:</b>	LAB BASIN SERIES POLYETHYLENE CHEMICAL WASTE TANK
<b>DWG BY:</b> MJ	<b>DATE:</b> 10/19/18
<b>REV:</b> 0	<b>ECO:</b>

**SPECIFICATION SHEET**

**Striem**  
 3100 Brinkerhoff  
 Kansas City, KS 66115  
 Tel: 913-222-1500  
 Fax: 913-291-0457  
 www.striemco.com



Made in the U.S.A

PROPRIETARY AND CONFIDENTIAL

THE INFORMATION CONTAINED IN THIS DRAWING IS THE SOLE PROPERTY OF STRIEM, LLC. ANY REPRODUCTION IN PART OR AS A WHOLE WITHOUT THE WRITTEN PERMISSION OF STRIEM, LLC. IS PROHIBITED.