

SPECIFICATIONS

1. 3" Plain End inlet/outlet
2. Liquid Capacity: 38 gal.
3. Solids Capacity: 19 gal.
4. Unit weight with standard cover: 83 lbs.
5. Maximum operating temperature 140°F continuous.
6. Pedestrian rated cover: 2,000 lb. capacity.

NOTES

1. For gravity drainage applications only. Do not use for pressure applications.
2. 3/8" seamless polyethylene tank.
3. Unit supplied with built-in adapter for up to 3-1/2" of adjustability. Additional riser(s) available for deeper burial depth.
4. Cover placement allows full access to tank for proper maintenance.
5. Internal components are removable for easy maintenance.
6. For on-the-floor or buried applications.

ENGINEER SPECIFICATION GUIDE

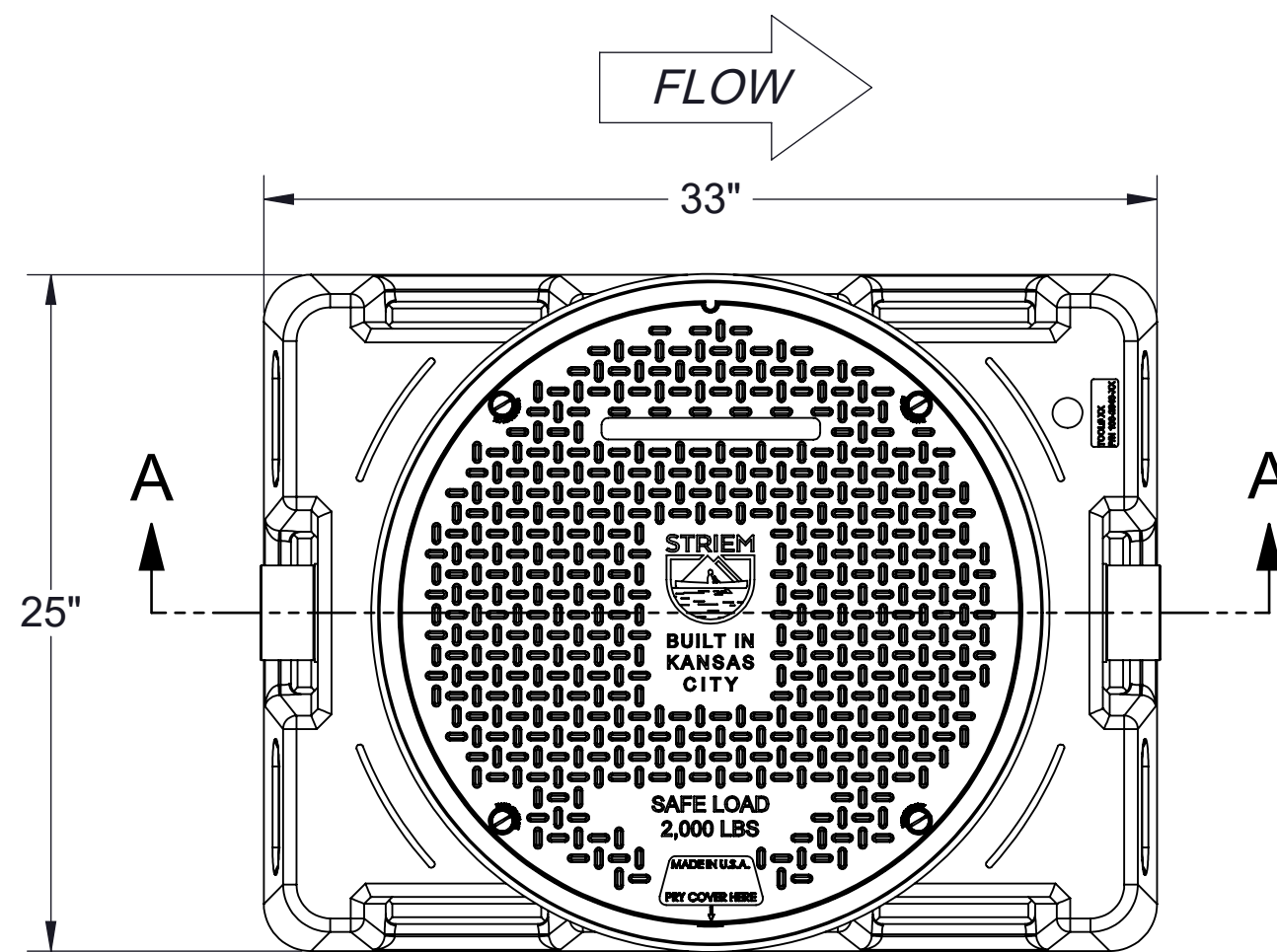
Striem Prospector™ solids interceptor model PS-35-S shall be lifetime guaranteed and Made in USA of seamless, rotationally-molded Medium Density Polyethylene with minimum 3/8" uniform wall thickness. Interceptor shall be furnished for above or below-grade installation. Interceptor shall be furnished with connection for extending handle for deep burials. Cover shall provide water/gas-tight seal and have a maximum 2,000 lbs load capacity.

OPTIONS

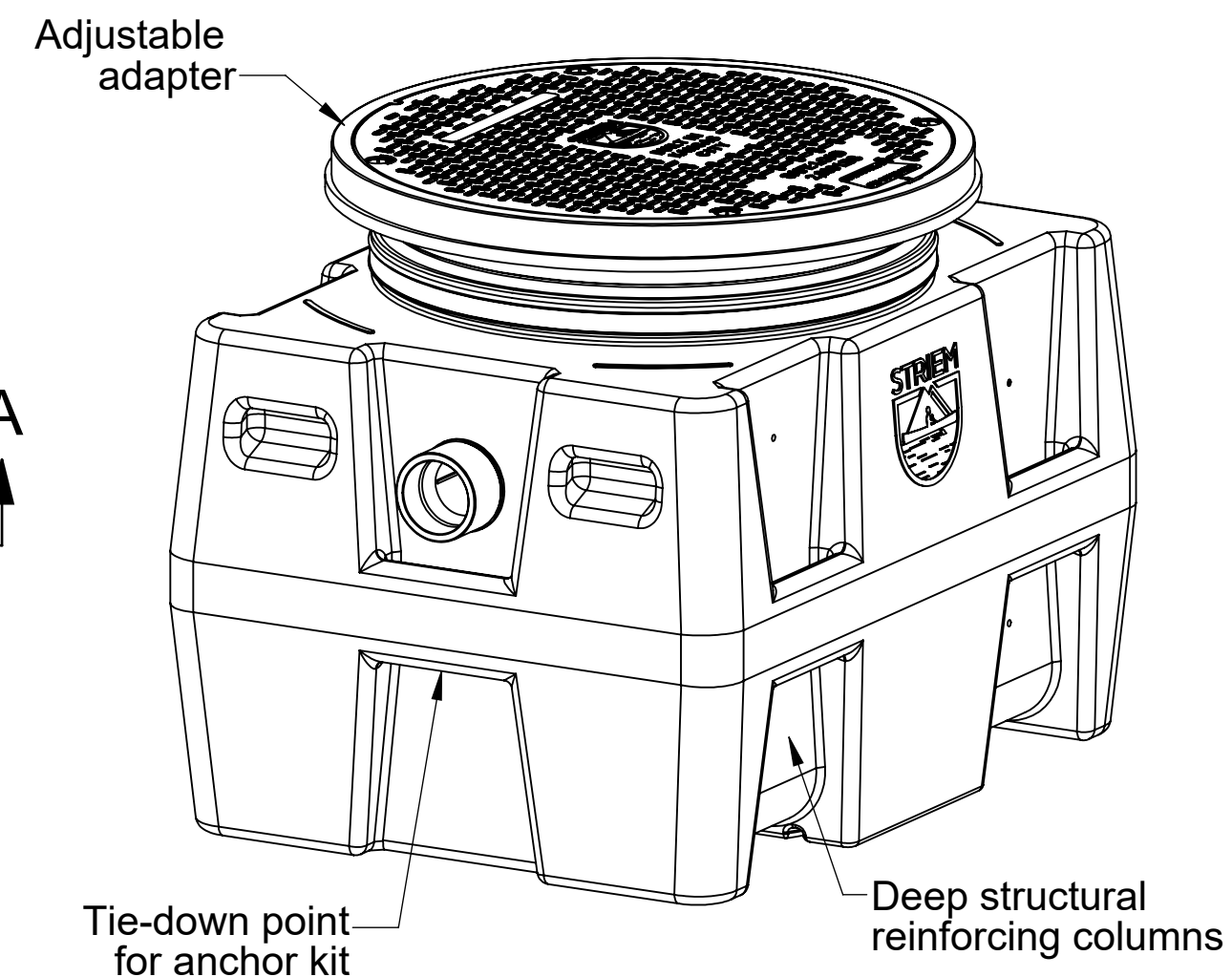
- 2P - 2" Plain end inlet/outlet
- 2M - 2" Male thread inlet/outlet
- 3M - 3" Male thread inlet/outlet
- 4P - 4" Plain end inlet/outlet
- 4M - 4" Male thread inlet/outlet
- C - Course filter screen (openings 0.3" x 0.27")
- M - Medium filter screen (openings 0.1" x 0.08")
- F - Fine filter screen (openings 0.03" x 0.025")

RISER OPTIONS

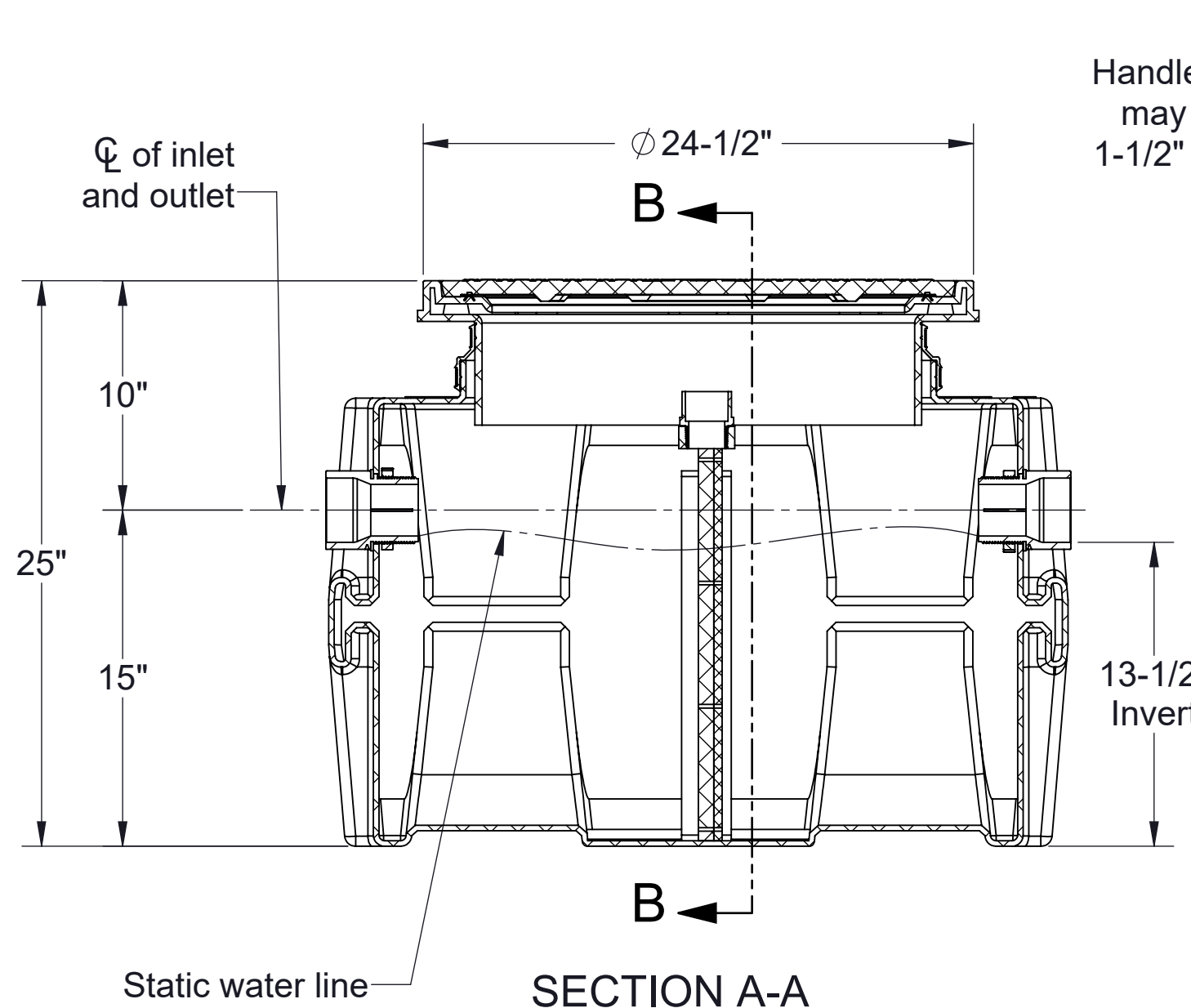
- SR24 - >3-1/2"-22"
- LR24 - >22"-37"



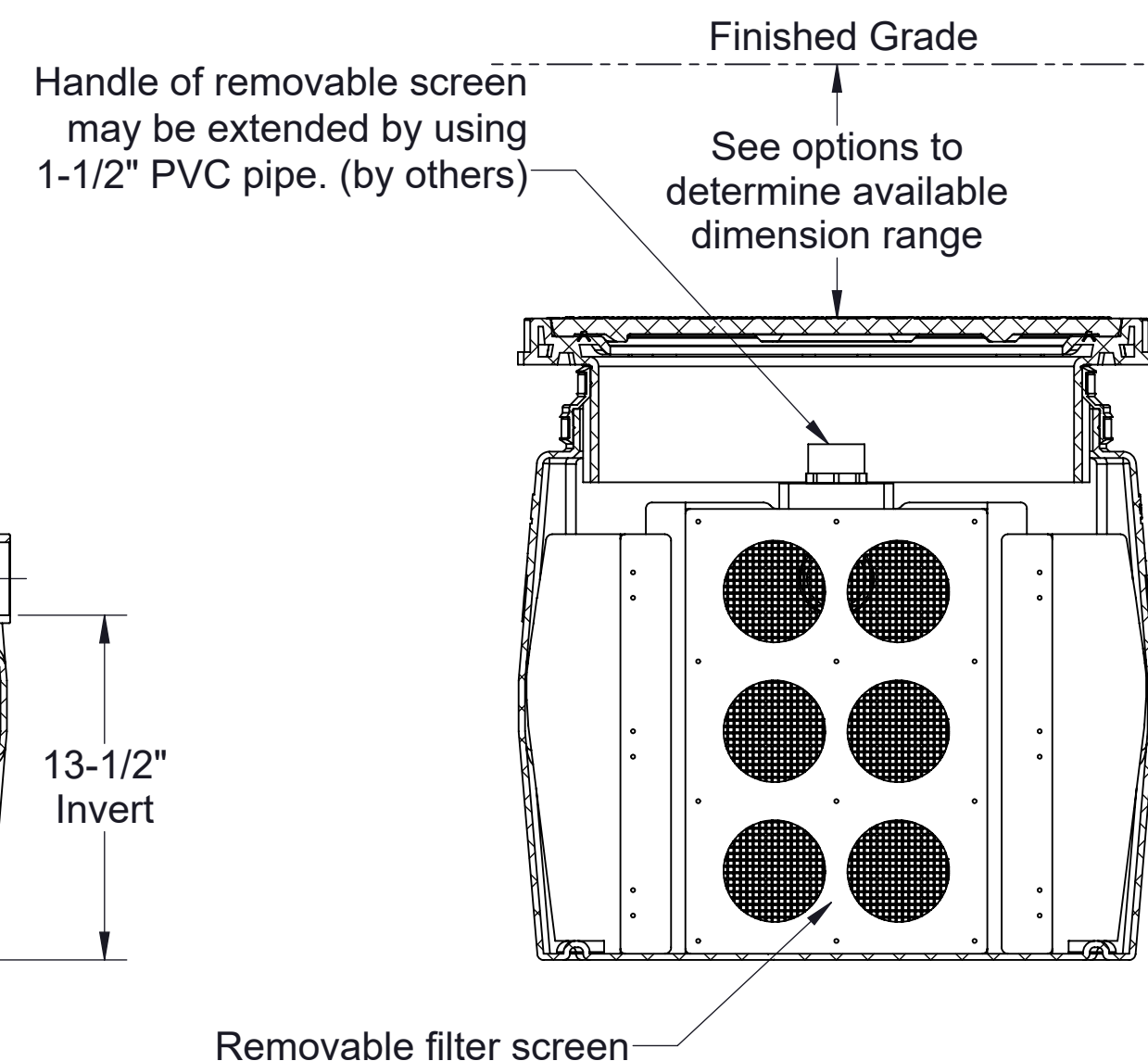
TOP VIEW



ISOMETRIC VIEW



SECTION A-A



SECTION B-B

MODEL NUMBER: PS-35-S	
DESCRIPTION: PROSPECTOR SERIES POLYETHYLENE SCREEN STYLER SOLIDS INTERCEPTOR 38 GALLON LIQUID CAPACITY	
DWG BY: MJ	DATE: 01/24/19
REV: 0	ECO:

SPECIFICATION SHEET

Striem
3100 Brinkerhoff
Kansas City, KS 66115
Tel: 913-222-1500
Fax: 913-291-0457
www.striemco.com

Made in the U.S.A



PROPRIETARY AND CONFIDENTIAL

THE INFORMATION CONTAINED IN THIS DRAWING IS THE SOLE PROPERTY OF STRIEM, LLC. ANY REPRODUCTION IN PART OR AS A WHOLE WITHOUT THE WRITTEN PERMISSION OF STRIEM, LLC. IS PROHIBITED.