

SPECIFICATIONS (PS-15-S)

1. 2" inlet/outlets Sch. 40. (No-Hub)
2. Liquid capacity: 15 Gallons
3. Solids capacity: 7 Gallons
4. Unit weight w/std. covers: 30 lbs.
5. 450 lbs load capacity when buried flush with floor.
6. 2,500 lbs load capacity when buried with SR-16 riser.
7. Maximum operating temperature 140°F continuous

NOTES

1. For gravity drainage applications only. Do not use for pressure applications.
2. 3/8" thick seamless polyethylene walls.
3. Cover placement allows full access to tank for proper maintenance.
4. Internal components are removable for easy maintenance.
5. For on-the-floor or buried applications.

ENGINEER SPECIFICATION GUIDE

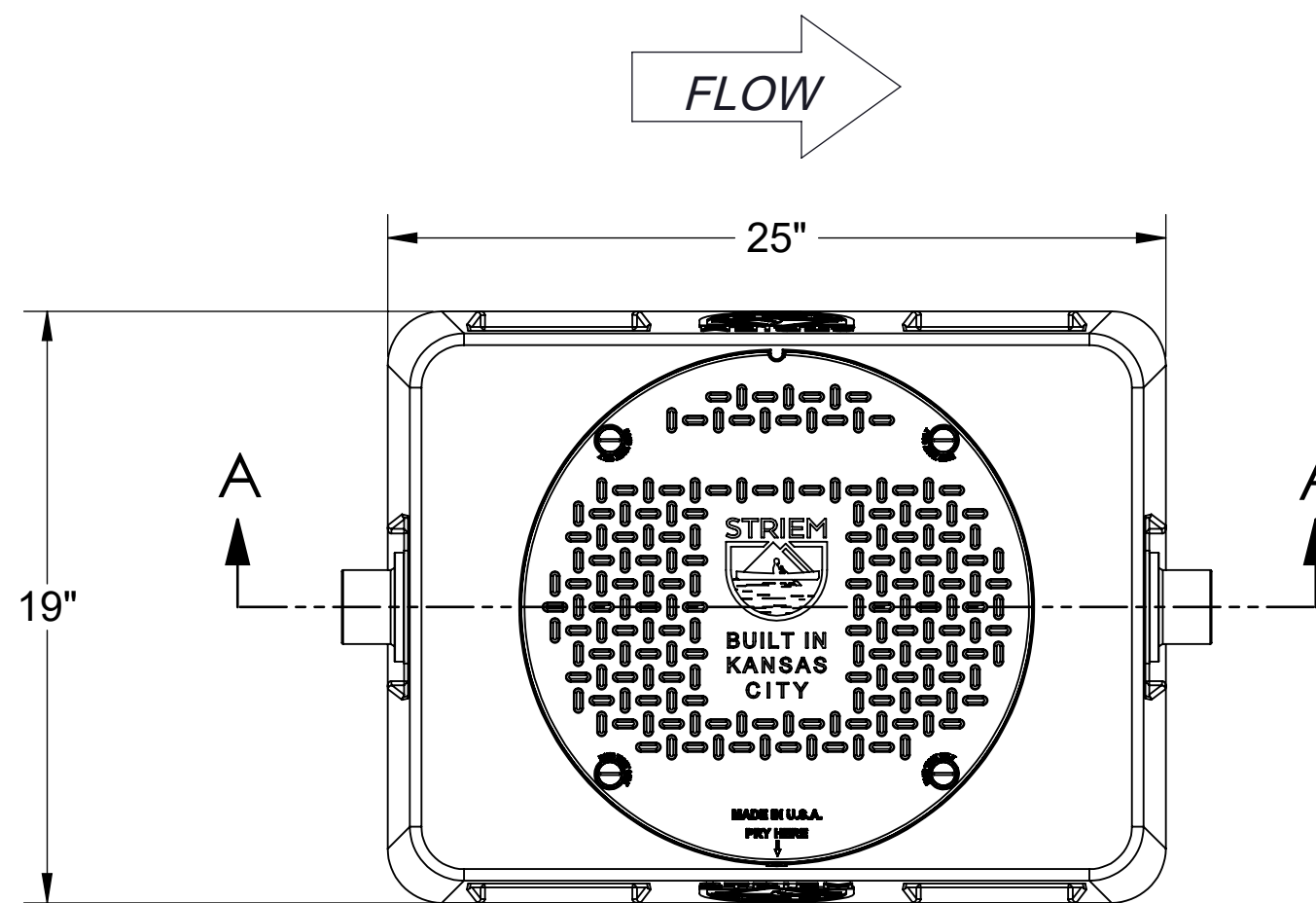
Striem Prospector™ solids interceptor model PS-15-S shall be lifetime guaranteed and Made in USA of seamless, rotationally-molded Medium Density Polyethylene with minimum 3/8" uniform wall thickness. Interceptor shall be furnished for above or below-grade installation. Interceptor shall be furnished with filter screen and connection for extending handle for burial. Cover shall provide water/gas-tight seal and have a maximum 450 lbs load capacity when directly buried, and 2,500 lbs when buried with SR16 riser.

OPTIONS

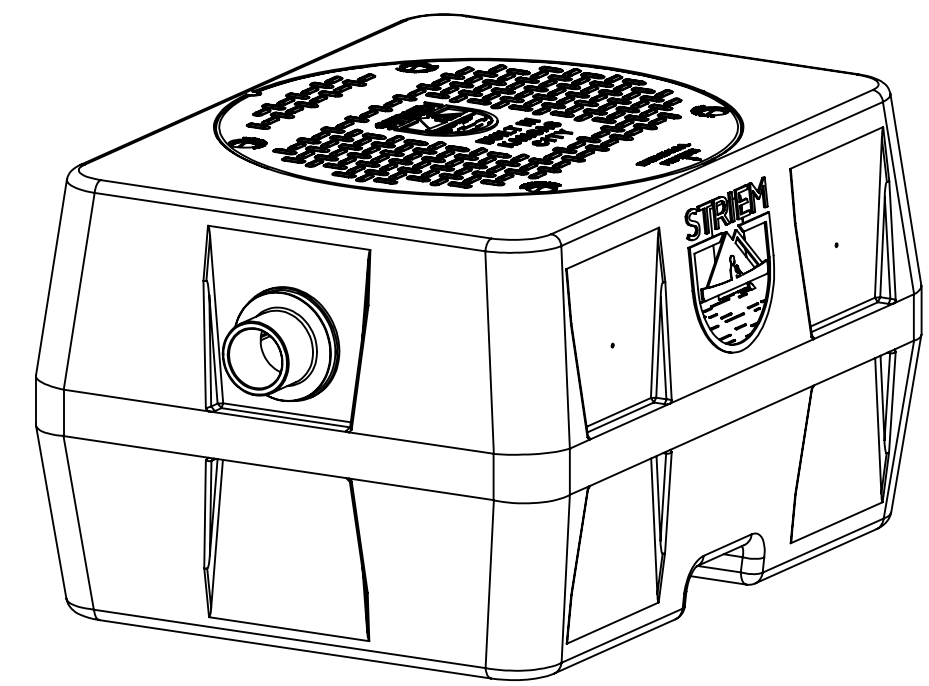
- 2M** - 2" Male thread inlet/outlet
- 3P** - 3" Plain end inlet/outlet
- 3M** - 3" Male thread inlet/outlet
- C** - Course filter screen (openings 0.3" x 0.27")
- M** - Medium filter screen (openings 0.1" x 0.08")
- F** - Fine filter screen (openings 0.03" x 0.025")

RISER OPTIONS

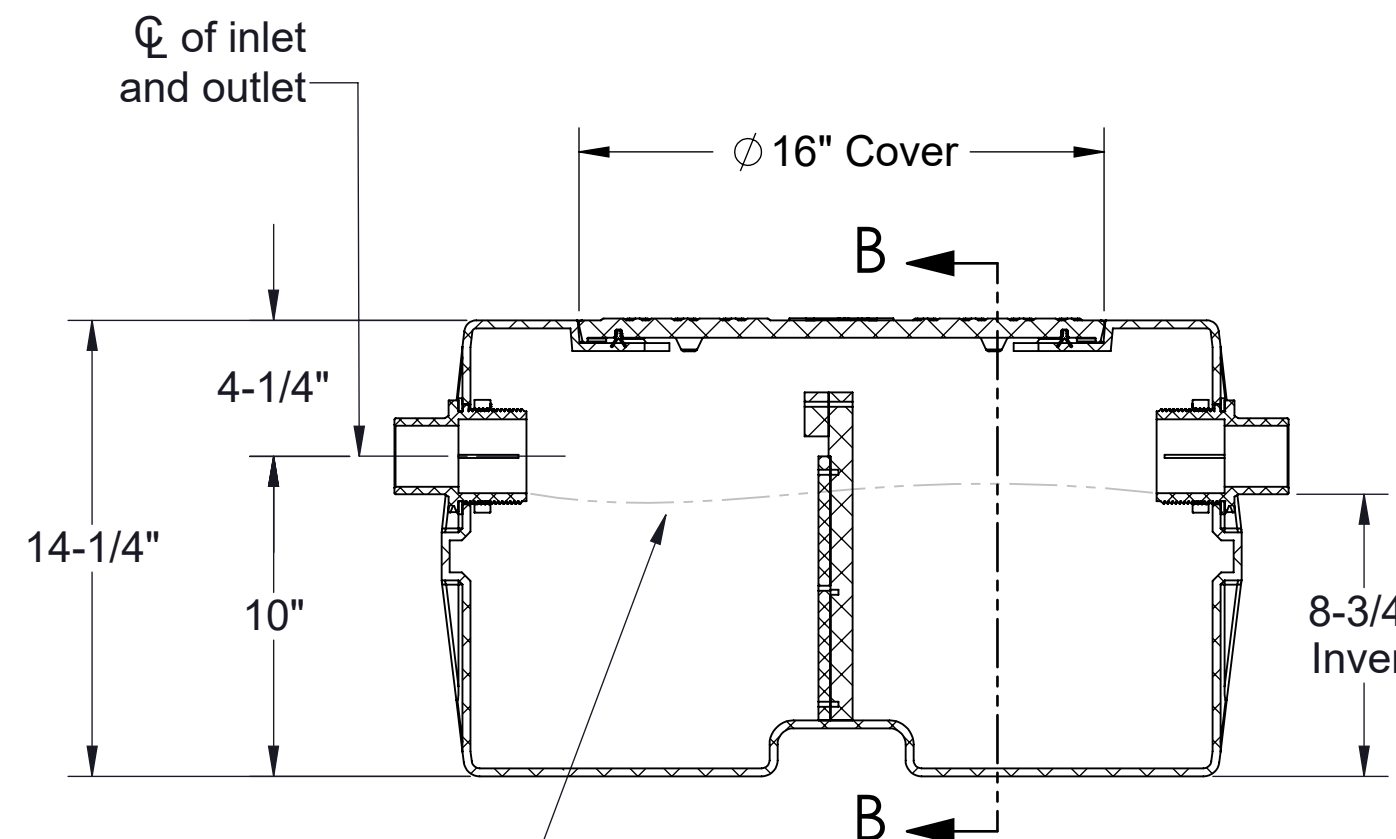
- SR16** - 2-1/16"-16" 16 series riser
- CC16** - 2-1/16"-16" 16 series riser with integral membrane clamping collar kit



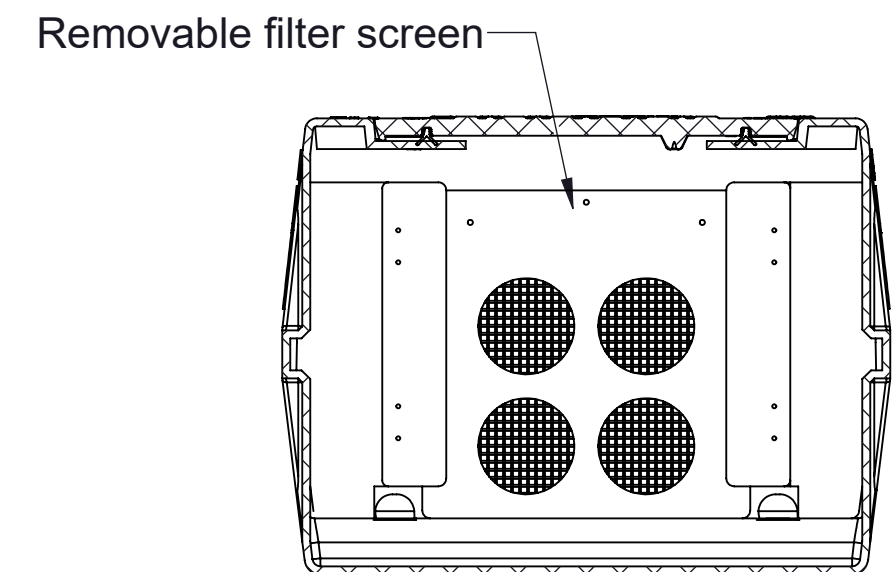
TOP VIEW



ISOMETRIC VIEW



SECTION "A-A"



SECTION "B-B"

MODEL NUMBER: PS-15-S	
DESCRIPTION: PROSPECTOR SERIES POLYETHYLENE SCREEN STYLE SOLIDS INTERCEPTOR 15 GALLON LIQUID CAPACITY	
DWG BY: MJ	DATE: 01/24/19
REV: 0	ECO:

SPECIFICATION SHEET

Striem
3100 Brinkerhoff
Kansas City, KS 66115
Tel: 913-222-1500
Fax: 913-291-0457
www.striemco.com



Made in the U.S.A

PROPRIETARY AND CONFIDENTIAL

THE INFORMATION CONTAINED IN THIS DRAWING IS THE SOLE PROPERTY OF STRIEM, LLC. ANY REPRODUCTION IN PART OR AS A WHOLE WITHOUT THE WRITTEN PERMISSION OF STRIEM, LLC. IS PROHIBITED.