

SPECIFICATIONS (USI-1180 & USI-1184)

1. 1-1/2" or 2" plain end inlet and outlet connections.
2. Liquid capacity: 1.2 Gallons
3. Unit weight: 7 Pounds
4. Max. operating temperature: 190°F continuous.

NOTES

1. For gravity drainage applications only. Do not use for pressure applications.
2. 100% corrosion proof seamless polyethylene construction.
3. Removable debris bucket with removable screen.
4. Built-in sewer gas trap.
5. Watertight up to 36" of head.

ENGINEER SPECIFICATION GUIDE

Striem solids Interceptor model USI-1180/1184 shall be lifetime guaranteed and Made in USA of seamless, rotationally-molded High Density Polyethylene with minimum 3/8" uniform wall thickness and removable polyethylene bucket and filter. Interceptor shall be watertight up to 36" head and contain internal sewer gas trap. Interceptor shall have gasketed cover with hand thread clamps.

OPTIONS:

- USI-1180-1 - 1-1/2" Plain end fittings
- USI-1180-2 - 2" Plain end fittings
- USI-1184-1 - 1-1/2" Plain end fittings
- USI-1184-2 - 2" Plain end fittings

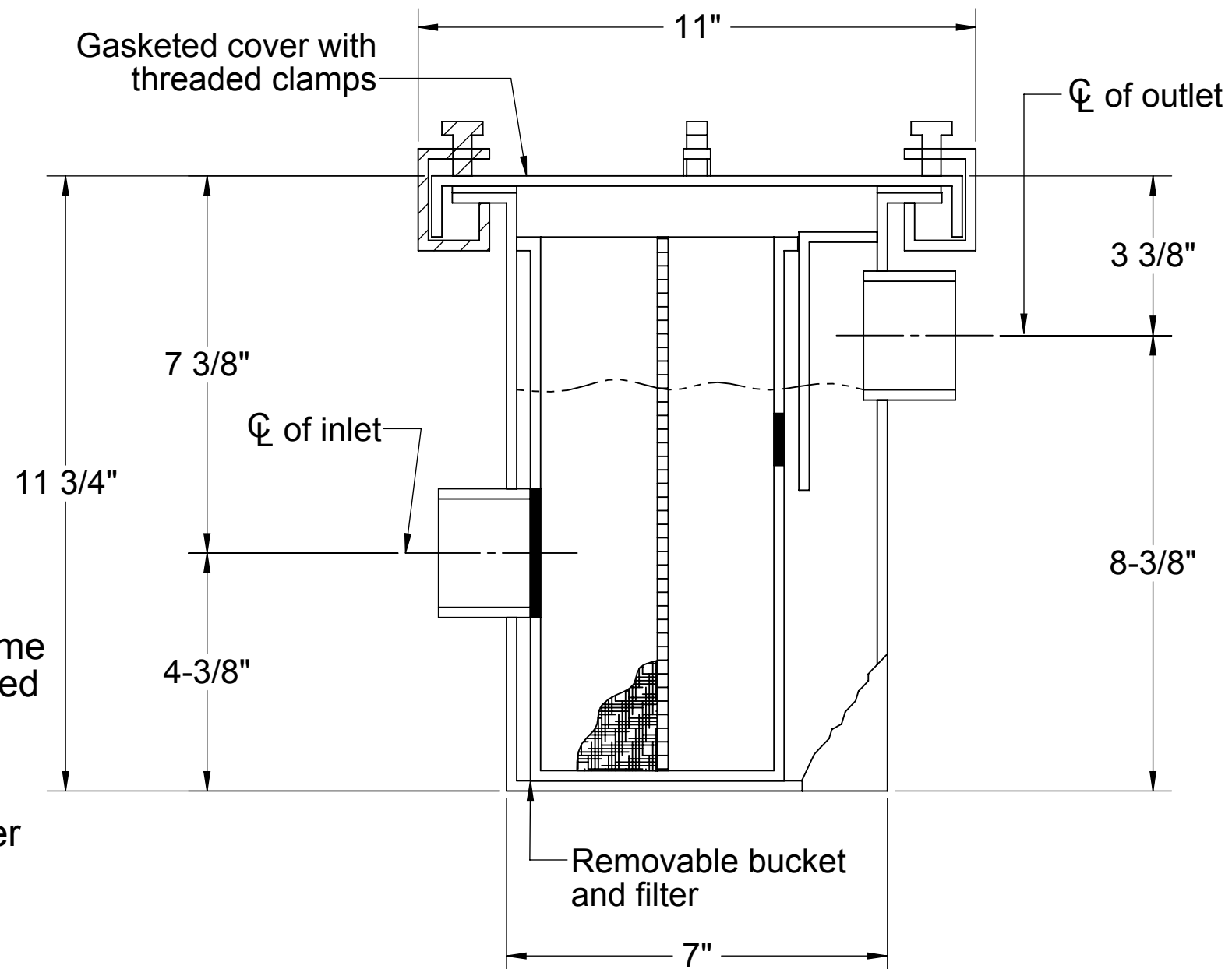
Signature of Approval:

Company:

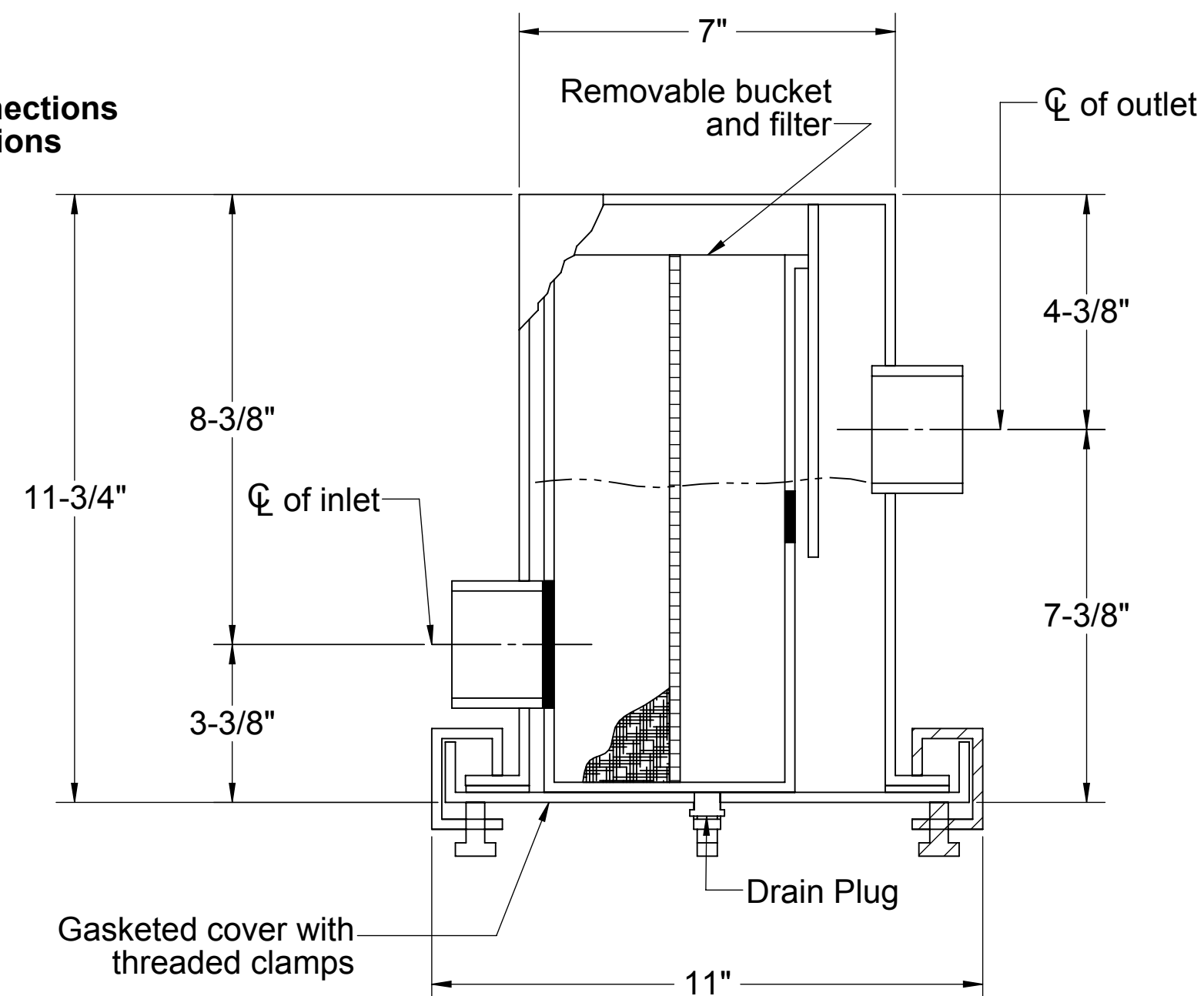
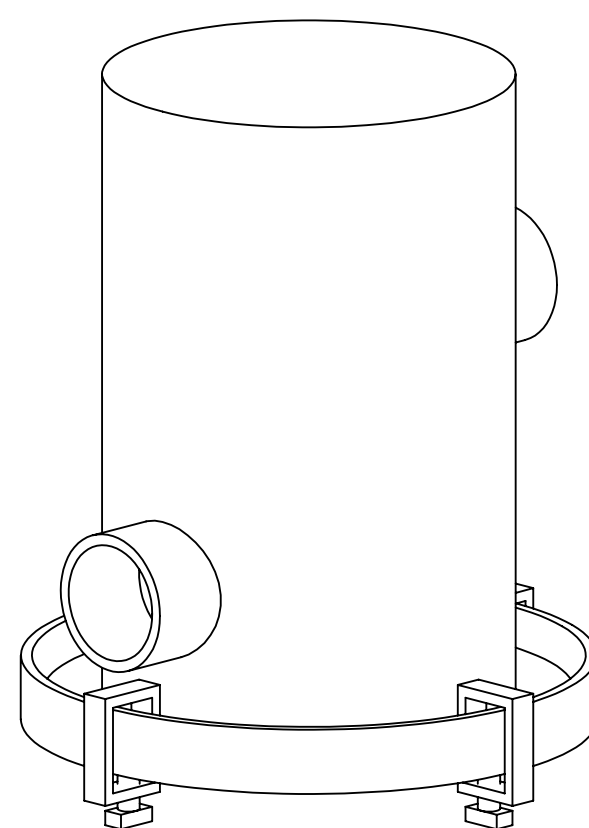
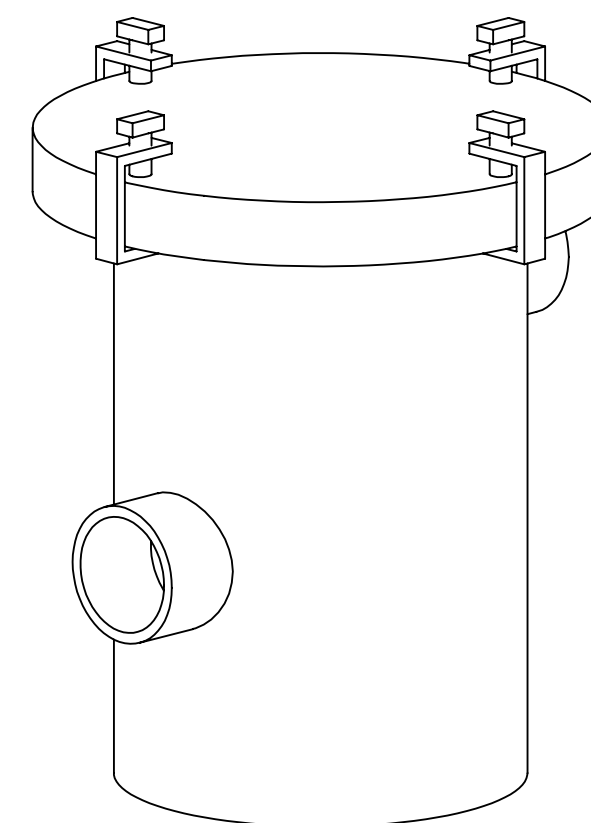
Date of Approval:

Specifying Engineer:

Engineering Firm:



USI-1180-1 = 1-1/2" plain end connections
USI-1180-2 = 2" plain end connections



USI-1184-1 = 1-1/2" plain end connections
USI-1184-2 = 2" plain end connections

MODEL NUMBER: USI-1180/USI-1184			
DESCRIPTION: 1.2 GALLON LIQUID HOLDING CAPACITY POINT OF USE POLYETHYLENE SOLIDS INTERCEPTOR			
DWG BY: RS	DATE: 2/14/19	REV: 0	ECO:

SPECIFICATION SHEET

Striem
3100 Brinkerhoff
Kansas City, KS 66115
Tel: 913-222-1500
Fax: 913-291-0457
www.striemco.com

Made in the U.S.A

PROPRIETARY AND CONFIDENTIAL

THE INFORMATION CONTAINED IN THIS DRAWING IS THE SOLE PROPERTY OF STRIEM, LLC. ANY REPRODUCTION IN PART OR AS A WHOLE WITHOUT THE WRITTEN PERMISSION OF STRIEM, LLC. IS PROHIBITED.