

**SPECIFICATIONS (HLT-1176 & HLB-1176)**

- 1-1/2" or 2" plain end inlet and outlet connections.
- Liquid capacity: 1/2 Gallon
- Unit weight: 4 Pounds
- Max. operating temperature: 190 °F continuous.

**NOTES**

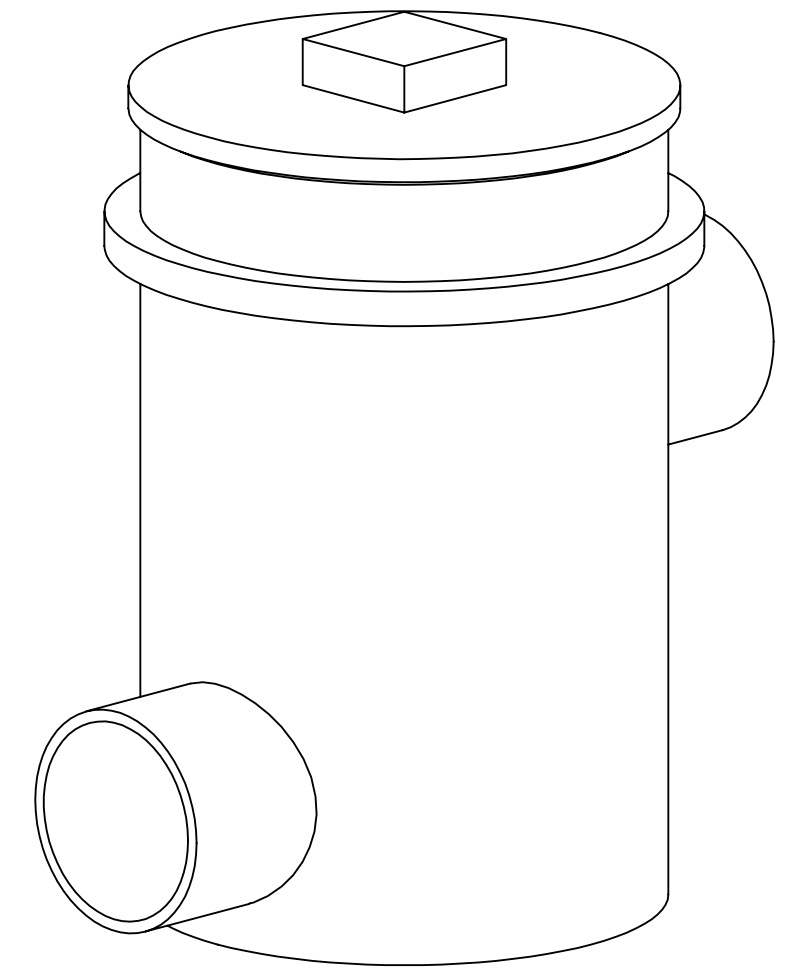
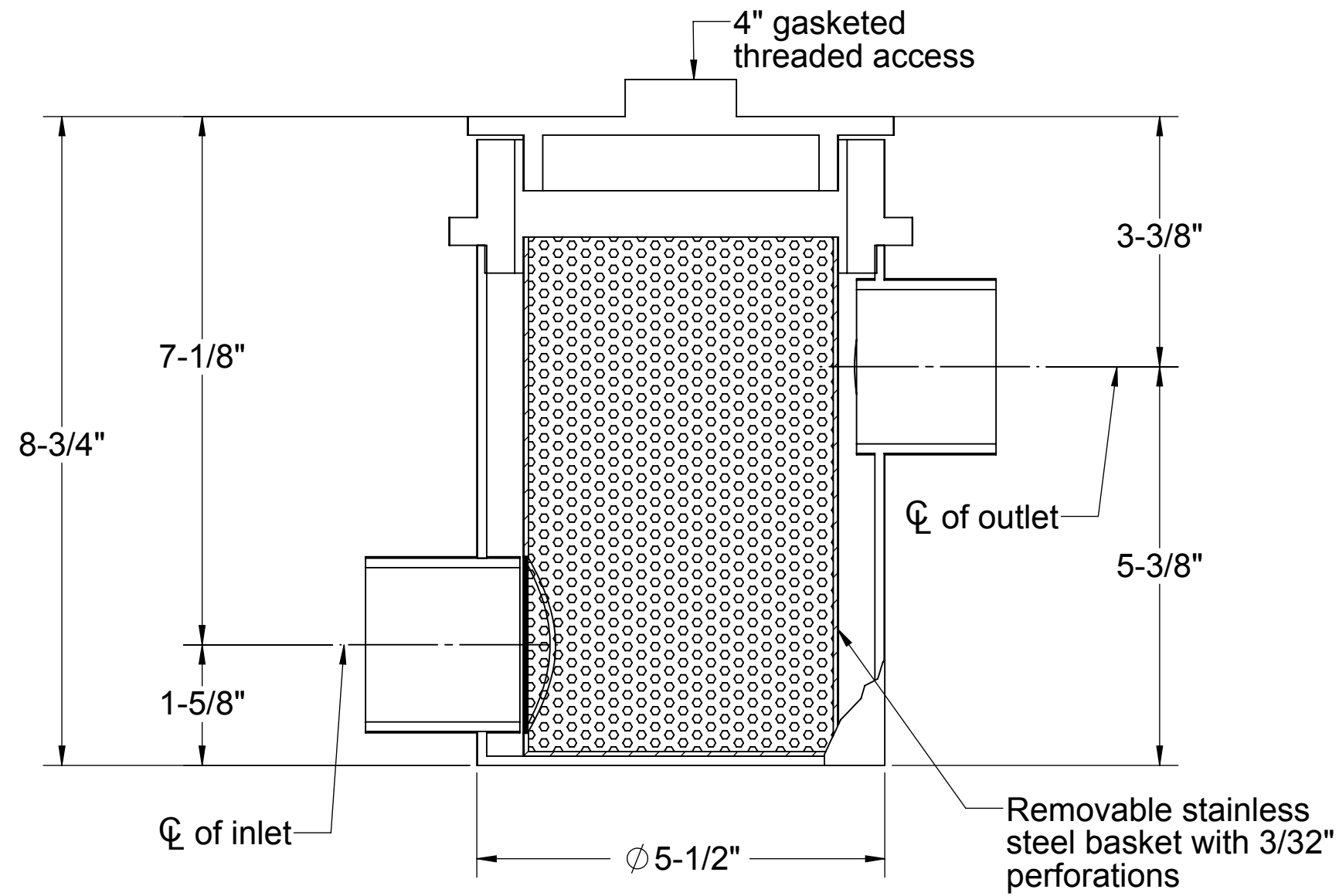
- For gravity drainage applications only. Do not use for pressure applications.
- 100% corrosion proof seamless polyethylene construction.
- 4" threaded and gasketed inspection port.
- Removable stainless steel debris basket with 3/32" diameter perforations.
- Built-in sewer gas trap.
- Watertight up to 36" of head.

**ENGINEER SPECIFICATION GUIDE**

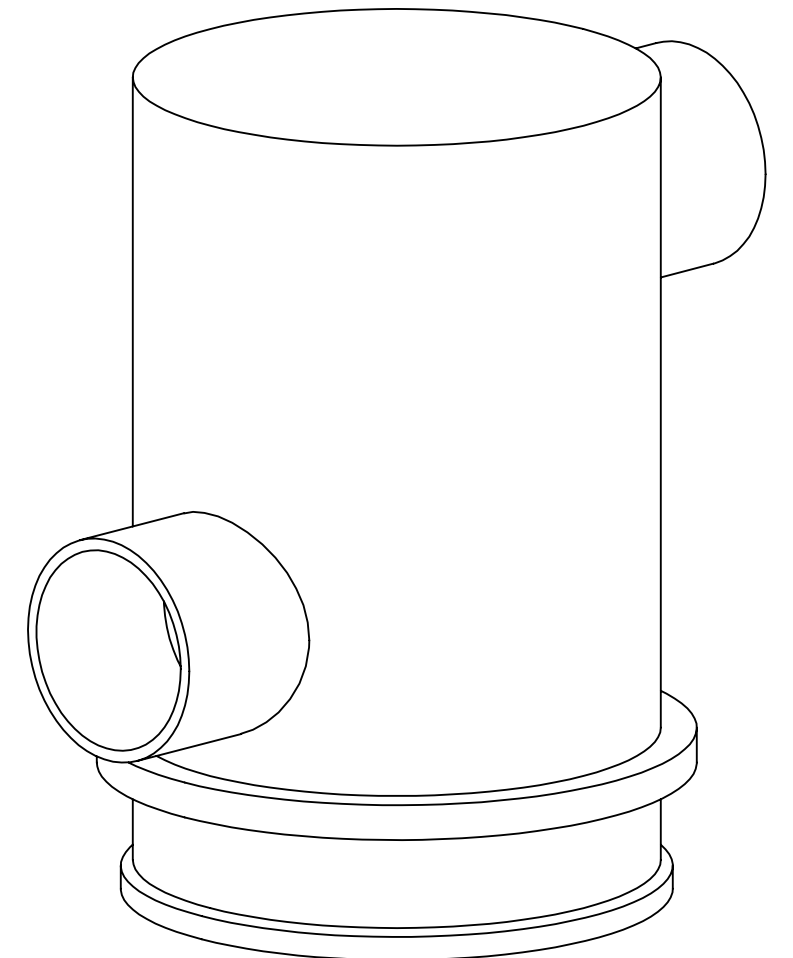
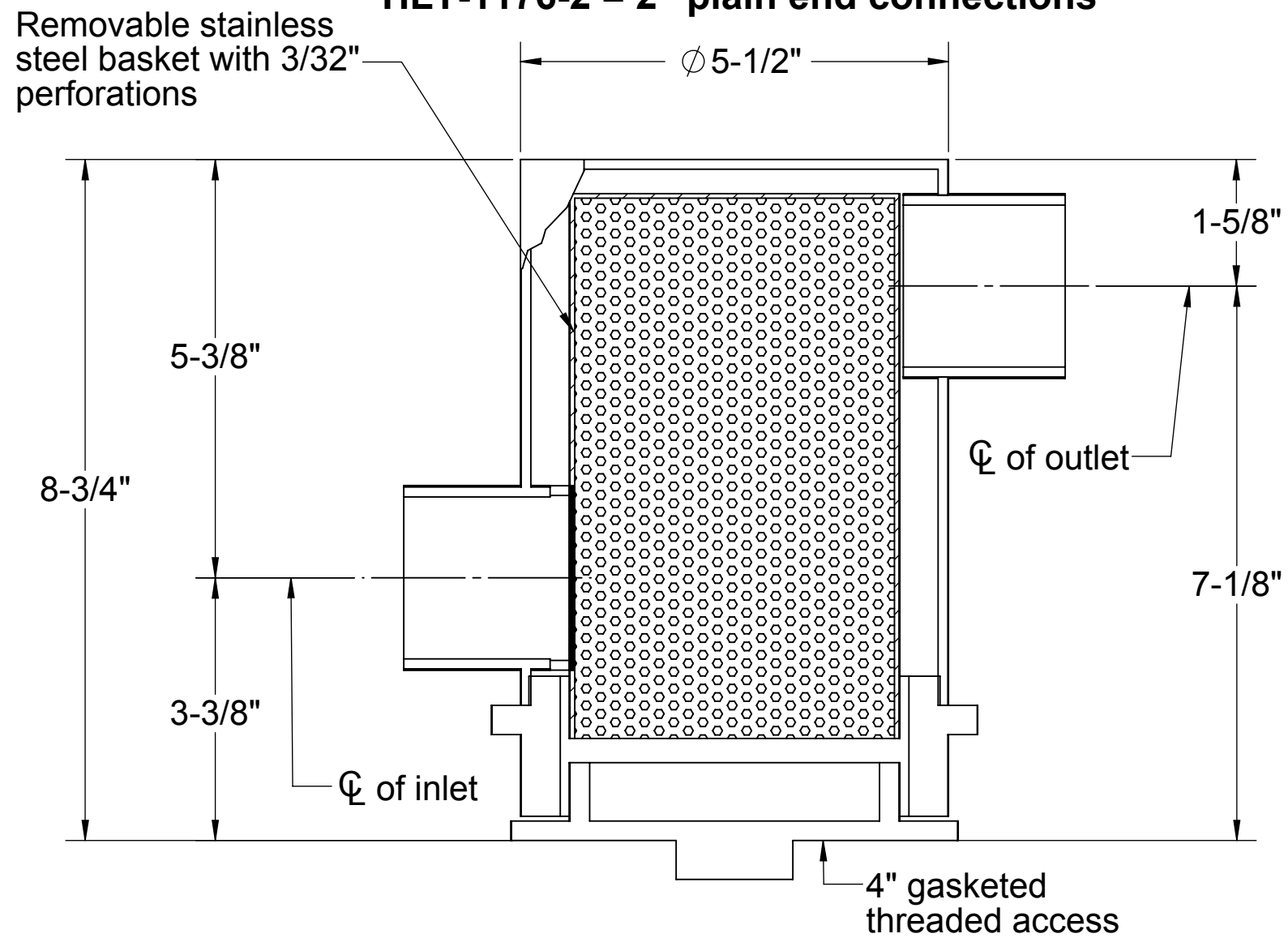
Striem solids interceptor model HLT/HLB-1176 shall be lifetime guaranteed and Made in USA of seamless, rotationally-molded High Density Polyethylene with minimum 3/8" uniform wall thickness. Interceptor shall be furnished with removable 304 series stainless steel basket. Interceptor shall be watertight up to 36" head and contain internal sewer gas trap. Interceptor shall have 4" hand-thread, gasketed top access.

**OPTIONS:**

- HLT Top access hair and lint interceptor
- HLB Bottom access hair and lint interceptor
- 1-1/2" plain end connections
- 2" plain end connections



HLT-1176-1 = 1-1/2" plain end connections  
 HLT-1176-2 = 2" plain end connections



HLB-1176-1 = 1-1/2" plain end connections  
 HLB-1176-2 = 2" plain end connections

Signature of Approval: \_\_\_\_\_  
 Company: \_\_\_\_\_  
 Date of Approval: \_\_\_\_\_  
 Specifying Engineer: \_\_\_\_\_  
 Engineering Firm: \_\_\_\_\_

PROPRIETARY AND CONFIDENTIAL

THE INFORMATION CONTAINED IN THIS DRAWING IS THE SOLE PROPERTY OF STRIEM, LLC. ANY REPRODUCTION IN PART OR AS A WHOLE WITHOUT THE WRITTEN PERMISSION OF STRIEM, LLC. IS PROHIBITED.

<b>MODEL NUMBER: HLT-1176/HLB-1176</b>			
<b>DESCRIPTION:</b> 1/2 GALLON LIQUID HOLDING CAPACITY POINT OF USE POLYETHYLENE SOLIDS INTERCEPTOR			
<b>DWG BY: RS</b>	<b>DATE: 2/14/19</b>	<b>REV:</b>	<b>MATL: PE</b>

**SPECIFICATION SHEET**

**Striem**  
 3100 Brinkerhoff  
 Kansas City, KS 66115  
 Tel: 913-222-1500  
 Fax: 913-291-0457  
 www.striemco.com



Made in the U.S.A