

SPECIFICATIONS (OS-1500-CS3)

1. 6" inlet/outlet connections, 4" vent connection.
2. Max flow rate: 314 GPM
3. Max flow rate to achieve 5 ppm of residual light liquid in effluent: 45 GPM
4. Liquid capacity: 1500 Gallons
5. Unit weight w/std. covers: 2284 lbs.
6. Highway traffic load rated, bolted, gas/water tight composite covers. (16,000 lbs)
7. Maximum operating temperature 140°F continuous.
8. Oil capacity: 1035 Gallons
9. Solids/sediment capacity: 35 Gallons

NOTES

1. 1" thick seamless high density polyethylene walls.
2. Unit supplied with built-in adapter(s) for up to 6" of adjustability. Additional riser(s) available for deeper burial depth.
3. For buried applications.
4. Lifting lug set for easy install.

ENGINEER SPECIFICATION GUIDE

Striem oil separator model OS-1500-CS3 shall be lifetime guaranteed and made in USA of seamless, molded High Density Polyethylene with minimum 1" uniform wall thickness. Separator shall be furnished for below grade installation with field adjustable riser system. Separator flow rate shall be 314 GPM. Separator oil capacity shall be 1035 gallons. Separator sand capacity shall be 35 gallons. Cover shall provide water/gas-tight seal and have a maximum 16,000 lbs load capacity.

THIRD PARTY STRUCTURAL ANALYSIS

The OS-1500-CS3 has been structurally analyzed in accordance with the requirements of IBC 2012 and ASCE/SEI 7 for direct burial. The maximum burial depth and backfill material are specified in our installation instructions. The structural design has been reviewed and sealed by a professional engineer registered in the state of California. A sealed structural analysis report is available upon request.

OPTIONS

- 4P - 4" Plain End Inlet / Outlet
- 6M - 6" Male Thread Inlet / Outlet
- 8P - 8" Plain End Inlet / Outlet
- C24-HP (2) - H20 Rated Pickable Cast Iron Cover
- HDK-1 - High Water Table Hold Down Kit

TeleGlide RISER OPTIONS

- SR24 (2) - >6"-24"
- LR24 (2) - >24"-39"
- SR24 (4) - >39"-43"
- SR24 (2) + LR24 (2) - >43"-58"
- LR24 (4) - >58"-72"

Clean Sweep™ polypropylene coalescing media has been third party tested to performance standard CEN EN858-1 for class 1 coalescing separators.

**PO IS NON-CANCELABLE
ORDER IS NON-RETURNABLE**

Signature of Approval: _____

Company: _____

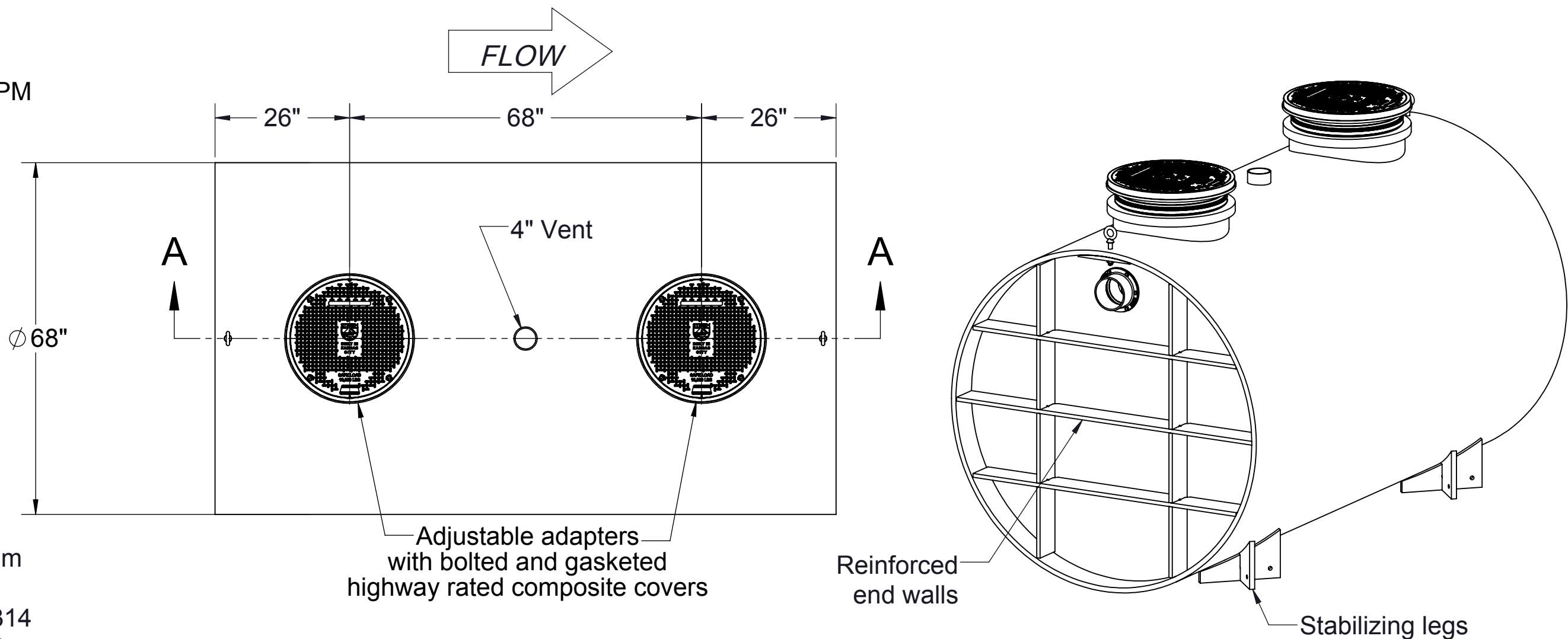
Date of Approval: _____

Specifying Engineer: _____

Engineering Firm: _____

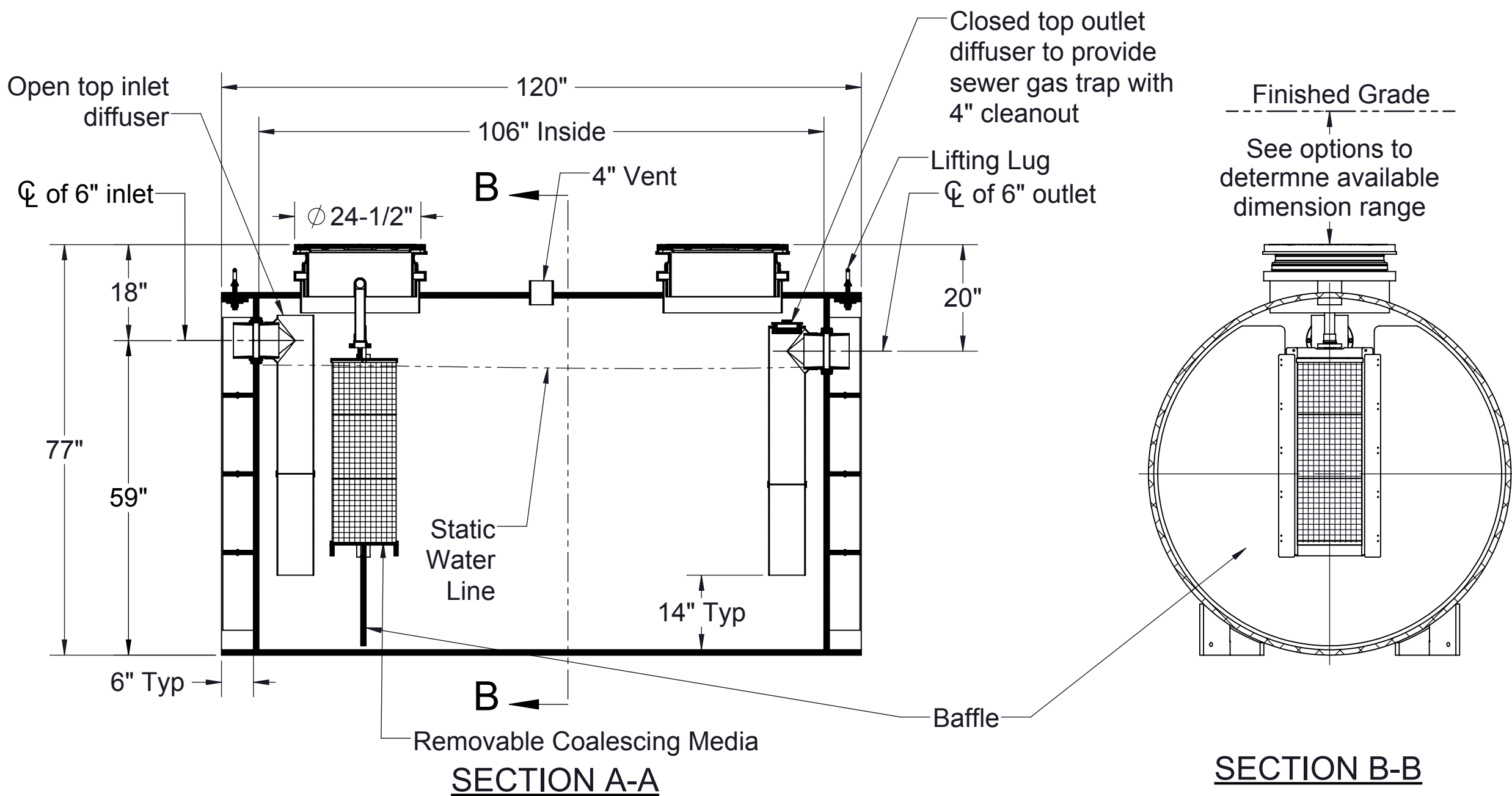
PROPRIETARY AND CONFIDENTIAL

THE INFORMATION CONTAINED IN THIS DRAWING IS THE SOLE PROPERTY OF STRIEM, LLC. ANY REPRODUCTION IN PART OR AS A WHOLE WITHOUT THE WRITTEN PERMISSION OF STRIEM, LLC. IS PROHIBITED.



TOP VIEW

ISOMETRIC VIEW



SECTION A-A

SECTION B-B

MODEL NUMBER: OS-1500-CS3			
DESCRIPTION: POLYETHYLENE OIL SEPARATOR 314 GPM 1500 GALLON CAPACITY			
DWG BY: RS	DATE: 1/29/19	REV: 0	ECO:

SPECIFICATION SHEET

Striem
3100 Brinkerhoff
Kansas City, KS 66115
Tel: 913-222-1500
Fax: 913-291-0457
www.striemco.com

Made in the U.S.A