

SPECIFICATIONS (OS-1500)

1. 6" inlet/outlet connections, 4" vent connection.
2. Max flow rate: 314 GPM
3. Liquid capacity: 1500 Gallons (200.5 cu. ft.)
4. Oil capacity: 610 Gallons
5. Solids/sediment capacity: 486 Gallons
6. Unit weight w/std. covers: 1700 lbs.
7. Highway traffic load rated, bolted, gas/water tight composite covers. (16,000 lbs)
8. Maximum operating temperature 140°F continuous.

NOTES

1. 1" thick high density polyethylene walls.
2. Unit supplied with built-in adapter(s) for up to 6" of adjustability. Additional riser(s) available for deeper burial depth.
3. For buried applications.
4. Lifting lug set included for easy install.

ENGINEER SPECIFICATION GUIDE

Striem oil separator model OS-1500 shall be lifetime guaranteed and made in USA of High Density Polyethylene with minimum 1" uniform wall thickness. Separator shall be furnished for below grade installation with field adjustable riser system. Separator flow rate shall be 314 GPM. Separator oil capacity shall be 610 gallons. Sand capacity shall be 486 gallons. Cover shall provide water/gas-tight seal and have a maximum 16,000 lbs load capacity.

THIRD PARTY STRUCTURAL ANALYSIS

The OS-1500 has been structurally analyzed in accordance with the requirements of IBC 2012 and ASCE/SEI 7 for direct burial. The maximum burial depth and backfill material are specified in our installation instructions. The structural design has been reviewed and sealed by a professional engineer registered in the state of California. A sealed structural analysis report is available upon request.

OPTIONS

- 4M - 4" Male Thread Inlet / Outlet
- 4P - 4" Plain End Inlet / Outlet
- 6M - 6" Male Thread Inlet / Outlet
- 8P - 8" Plain End Inlet / Outlet
- C24-HP (2) - H20 Rated Pickable Cast Iron Cover
- CS3 - Clean Sweep Coalescing Media (single)
- CS6 - Clean Sweep Coalescing Media (double)
- HDK-1 - High Water Table Hold Down Kit

TeleGlide RISER OPTIONS

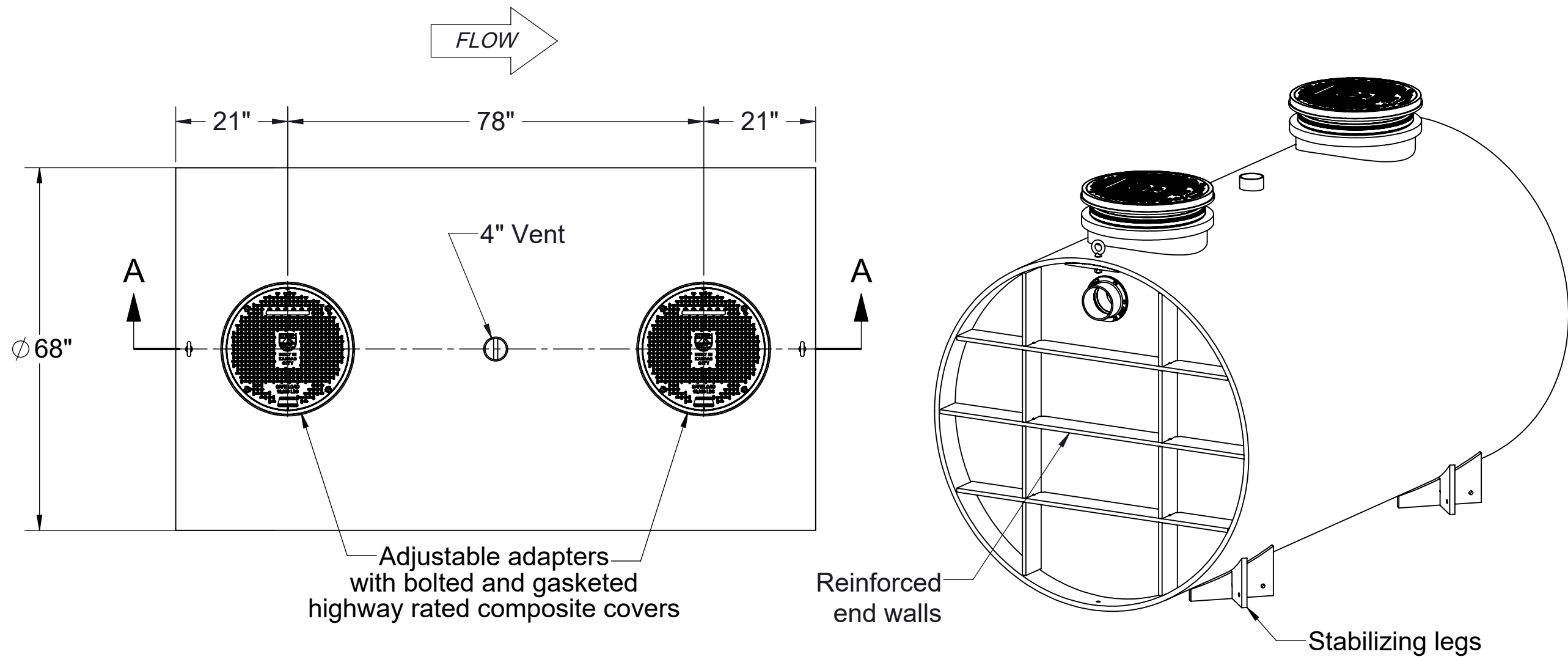
- SR24 (2) - >6"-24"
- LR24 (2) - >24"-39"
- SR24 (4) - >39"-43"
- SR24 (2) + LR24 (2) - >43"-58"
- LR24 (4) - >58"-72"

**PO IS NON-CANCELABLE
ORDER IS NON-RETURNABLE**

Signature of Approval: _____
 Company: _____
 Date of Approval: _____
 Specifying Engineer: _____
 Engineering Firm: _____

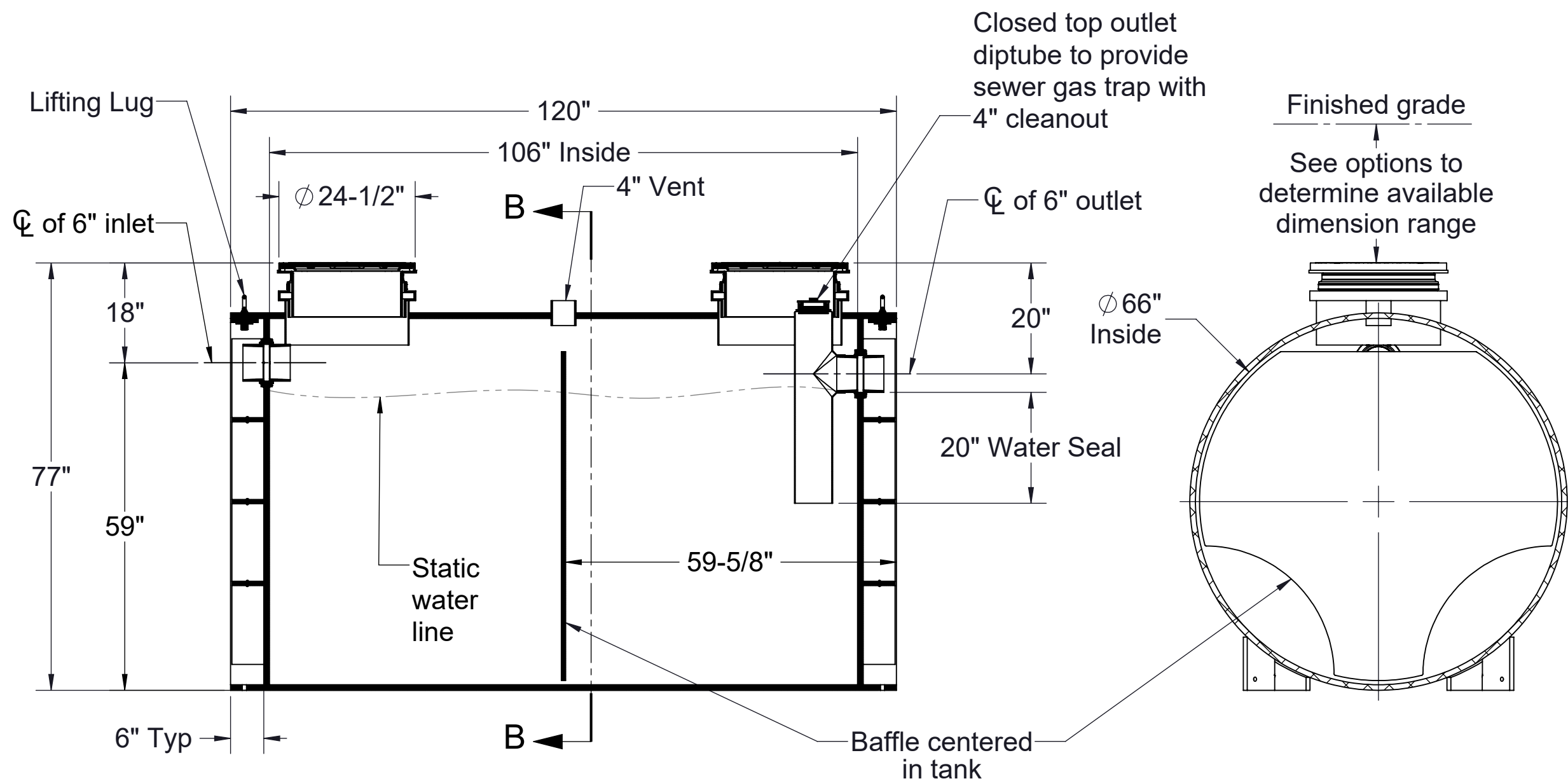
PROPRIETARY AND CONFIDENTIAL

THE INFORMATION CONTAINED IN THIS DRAWING IS THE SOLE PROPERTY OF STRIEM, LLC. ANY REPRODUCTION IN PART OR AS A WHOLE WITHOUT THE WRITTEN PERMISSION OF STRIEM, LLC. IS PROHIBITED.



TOP VIEW

ISOMETRIC VIEW



SECTION A-A

SECTION B-B

MODEL NUMBER: OS-1500	
DESCRIPTION: POLYETHYLENE OIL SEPARATOR 314 GPM 1500 GALLON CAPACITY	
DWG BY: MJ	DATE: 02/22/19
REV: 0	ECO:

SPECIFICATION SHEET

Striem
 3100 Brinkerhoff
 Kansas City, KS 66115
 Tel: 913-222-1500
 Fax: 913-291-0457
 www.striemco.com

Made in the U.S.A