

**SPECIFICATIONS (OS-750-CS6)**

1. 4" inlet/outlet connections, 4" vent connection.
2. Max flow rate: 314 GPM
3. Max flow rate to achieve 5 ppm of residual light liquid in effluent: 90 GPM
4. Liquid capacity: 750 Gallons
5. Unit weight w/std. covers: 1768 lbs.
6. Highway traffic load rated, bolted, gas/water tight composite covers. (16,000 lbs)
7. Maximum operating temperature 140°F continuous.
8. Oil capacity: 646 Gallons
9. Solids/sediment capacity: 30 Gallons

**NOTES**

1. 1" thick seamless high density polyethylene walls.
2. Unit supplied with built-in adapter(s) for up to 6" of adjustability. Additional riser(s) available for deeper burial depth.
3. For buried applications.
4. Lifting lug set for easy install.

**ENGINEER SPECIFICATION GUIDE**

Striem oil separator model OS-750-CS6 shall be lifetime guaranteed and made in USA of seamless, molded High Density Polyethylene with minimum 1" uniform wall thickness. Separator shall be furnished for below grade installation with field adjustable riser system. Separator flow rate shall be 314 GPM. Separator oil capacity shall be 646 gallons. Separator sand capacity shall be 30 gallons. Cover shall provide water/gas-tight seal and have a maximum 16,000 lbs load capacity.

**THIRD PARTY STRUCTURAL ANALYSIS**

The OS-750-CS6 has been structurally analyzed in accordance with the requirements of IBC 2012 and ASCE/SEI 7 for direct burial. The maximum burial depth and backfill material are specified in our installation instructions. The structural design has been reviewed and sealed by a professional engineer registered in the state of California. A sealed structural analysis report is available upon request.

**OPTIONS**

- 6P - 6" Plain End Inlet / Outlet
- 6M - 6" Male Thread Inlet / Outlet
- 8P - 8" Plain End Inlet / Outlet
- C24-HP (2) - H20 Rated Pickable Cast Iron Cover
- HDK-1 - High Water Table Hold Down Kit

**TeleGlide RISER OPTIONS**

- SR24 (2) - >6"-24"
- LR24 (2) - >24"-39"
- SR24 (4) - >39"-43"
- SR24 (2) + LR24 (2) - >43"-58"
- LR24 (4) - >58"-72"

Clean Sweep™ polypropylene coalescing media has been third party tested to performance standard CEN EN858-1 for class 1 coalescing separators.

**PO IS NON-CANCELABLE  
ORDER IS NON-RETURNABLE**

Signature of Approval: \_\_\_\_\_

Company: \_\_\_\_\_

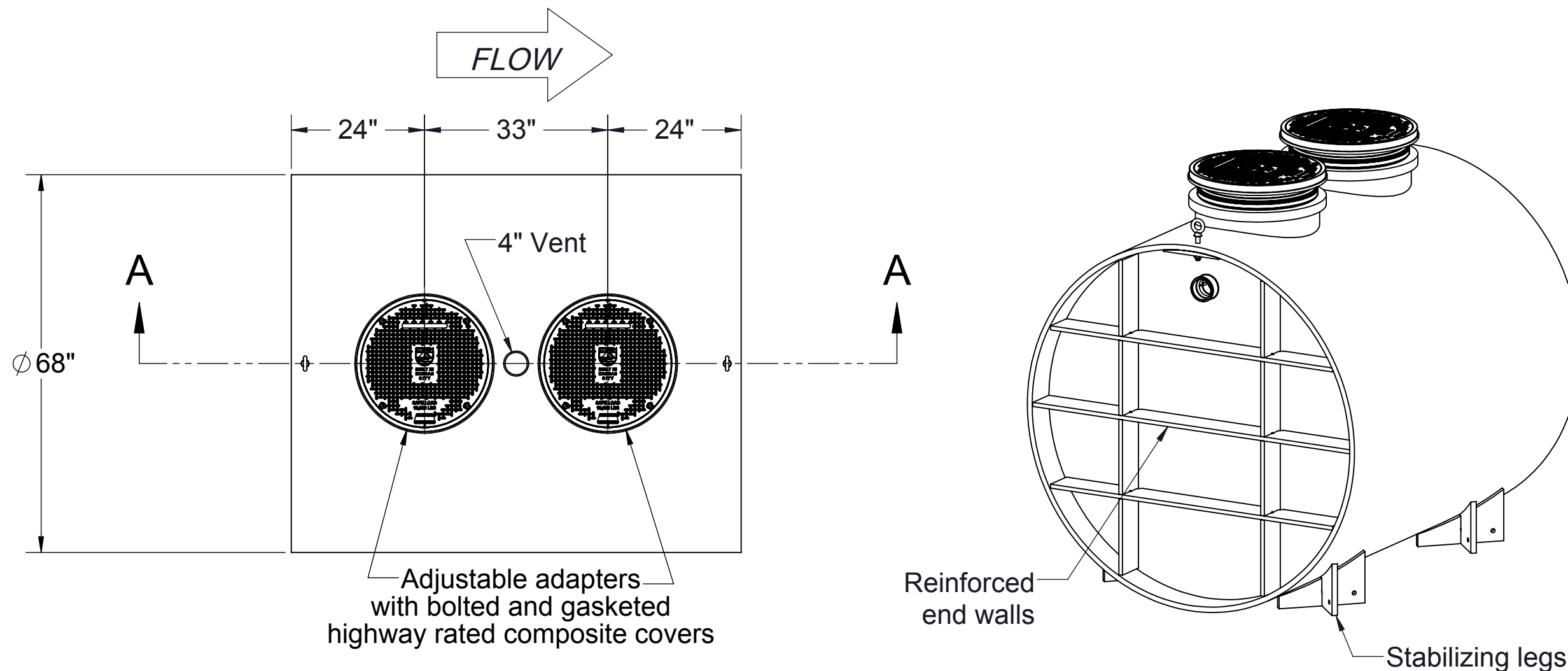
Date of Approval: \_\_\_\_\_

Specifying Engineer: \_\_\_\_\_

Engineering Firm: \_\_\_\_\_

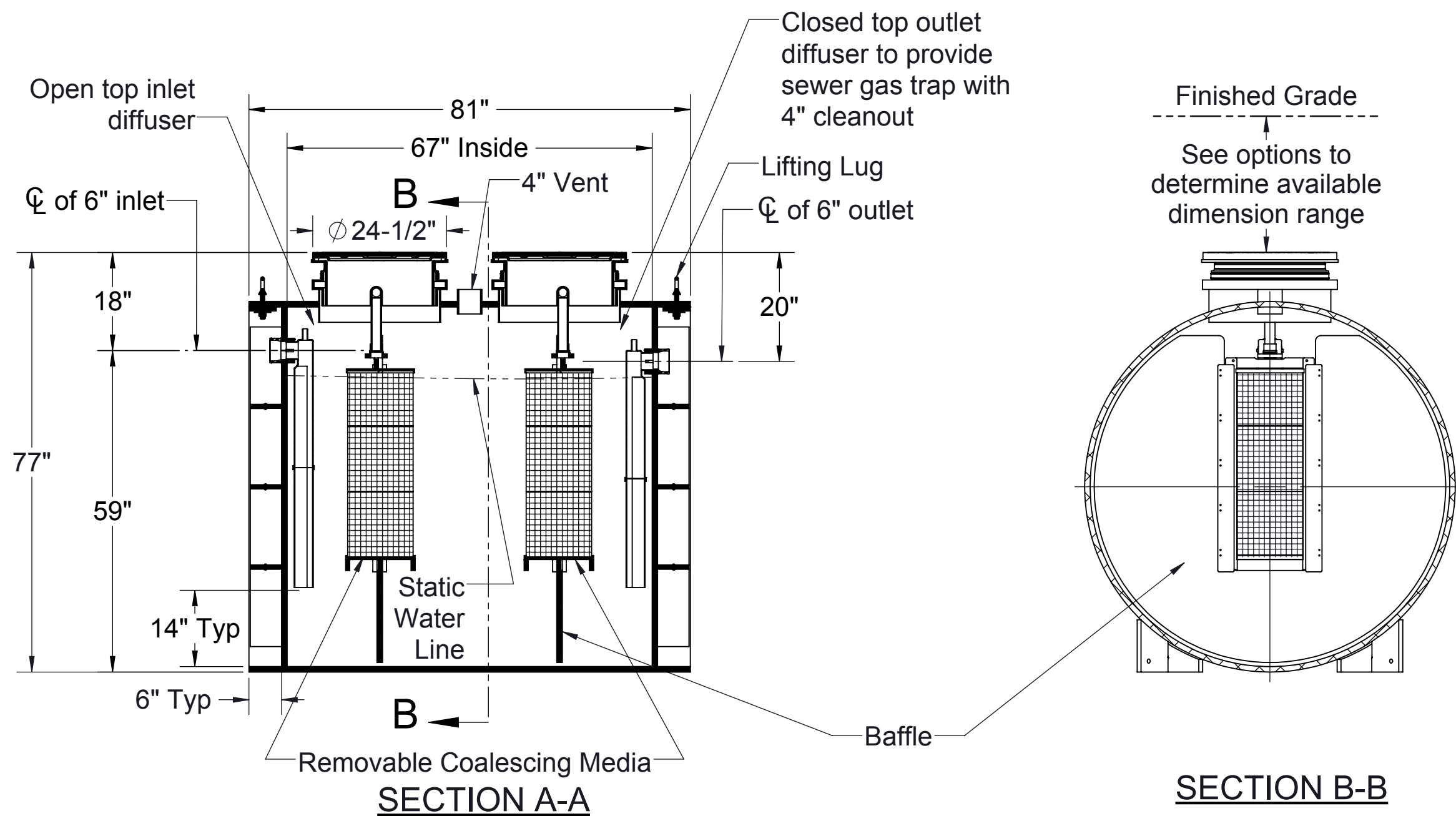
**PROPRIETARY AND CONFIDENTIAL**

THE INFORMATION CONTAINED IN THIS DRAWING IS THE SOLE PROPERTY OF STRIEM, LLC. ANY REPRODUCTION IN PART OR AS A WHOLE WITHOUT THE WRITTEN PERMISSION OF STRIEM, LLC. IS PROHIBITED.



**TOP VIEW**

**ISOMETRIC VIEW**



**SECTION A-A**

**SECTION B-B**

<b>MODEL NUMBER:</b> OS-750-CS6	
<b>DESCRIPTION:</b> POLYETHYLENE OIL SEPARATOR 314 GPM 750 GALLON CAPACITY	
<b>DWG BY:</b> RS	<b>DATE:</b> 1/30/19
<b>REV:</b> 0	<b>ECO:</b>

**SPECIFICATION SHEET**

**Striem**  
3100 Brinkerhoff  
Kansas City, KS 66115  
Tel: 913-222-1500  
Fax: 913-291-0457  
www.striemco.com

Made in the U.S.A

