

SPECIFICATIONS (OS-750)

1. 6" inlet/outlet connections, 4" vent connection.
2. Max flow rate: 314 GPM
3. Liquid capacity: 750 Gallons (100 cu. ft.)
4. Oil capacity: 401 Gallons
5. Solids/sediment capacity: 307 Gallons
6. Unit weight w/std. covers: 1200 lbs.
7. Highway traffic load rated, bolted, gas/water tight composite covers. (16,000 lbs)
8. Maximum operating temperature 140°F continuous.

NOTES

1. 1" thick high density polyethylene walls.
2. Unit supplied with built-in adapter(s) for up to 6" of adjustability. Additional riser(s) available for deeper burial depth.
3. For buried applications.
4. Lifting lug set included for easy install.

ENGINEER SPECIFICATION GUIDE

Striem oil separator model OS-750 shall be lifetime guaranteed and made in USA of High Density Polyethylene with minimum 1" uniform wall thickness. Separator shall be furnished for below grade installation with field adjustable riser system. Separator flow rate shall be 314 GPM. Separator oil capacity shall be 401 gallons. Sand capacity shall be 307 gallons. Cover shall provide water/gas-tight seal and have a maximum 16,000 lbs load capacity.

THIRD PARTY STRUCTURAL ANALYSIS

The OS-750 has been structurally analyzed in accordance with the requirements of IBC 2012 and ASCE/SEI 7 for direct burial. The maximum burial depth and backfill material are specified in our installation instructions. The structural design has been reviewed and sealed by a professional engineer registered in the state of California. A sealed structural analysis report is available upon request.

OPTIONS

- 4M** - 4" Male Thread Inlet / Outlet
- 4P** - 4" Plain End Inlet / Outlet
- 6M** - 6" Male Thread Inlet / Outlet
- 8P** - 8" Plain End Inlet / Outlet
- C24-HP (2)** - H20 Rated Pickable Cast Iron Cover
- CS3** - Clean Sweep Coalescing Media (single)
- CS6** - Clean Sweep Coalescing Media (double)
- HDK-1** - High Water Table Hold Down Kit

TeleGlide RISER OPTIONS

- SR24 (2)** - >6"-24"
- LR24 (2)** - >24"-39"
- SR24 (4)** - >39"-43"
- SR24 (2) + LR24 (2)** - >43"-58"
- LR24 (4)** - >58"-72"

**PO IS NON-CANCELABLE
ORDER IS NON-RETURNABLE**

Signature of Approval: _____

Company: _____

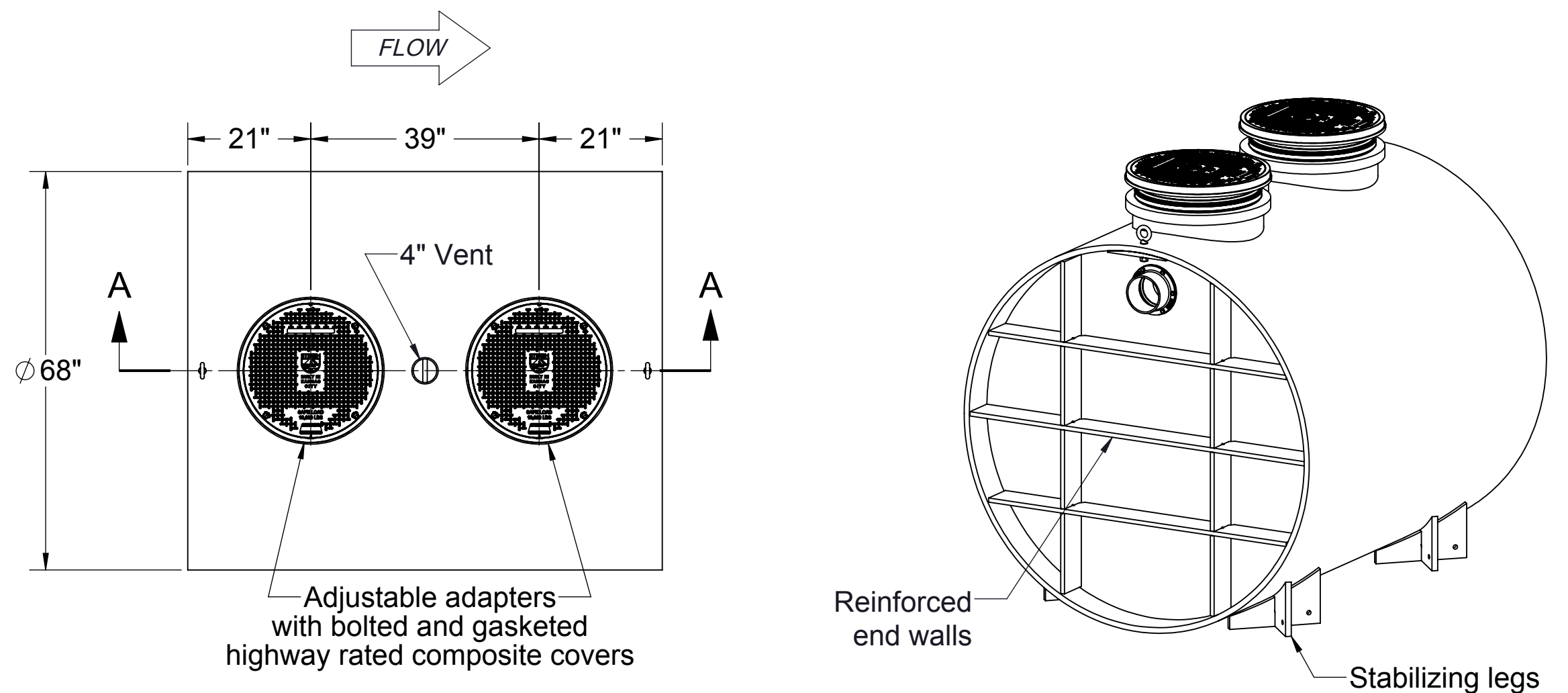
Date of Approval: _____

Specifying Engineer: _____

Engineering Firm: _____

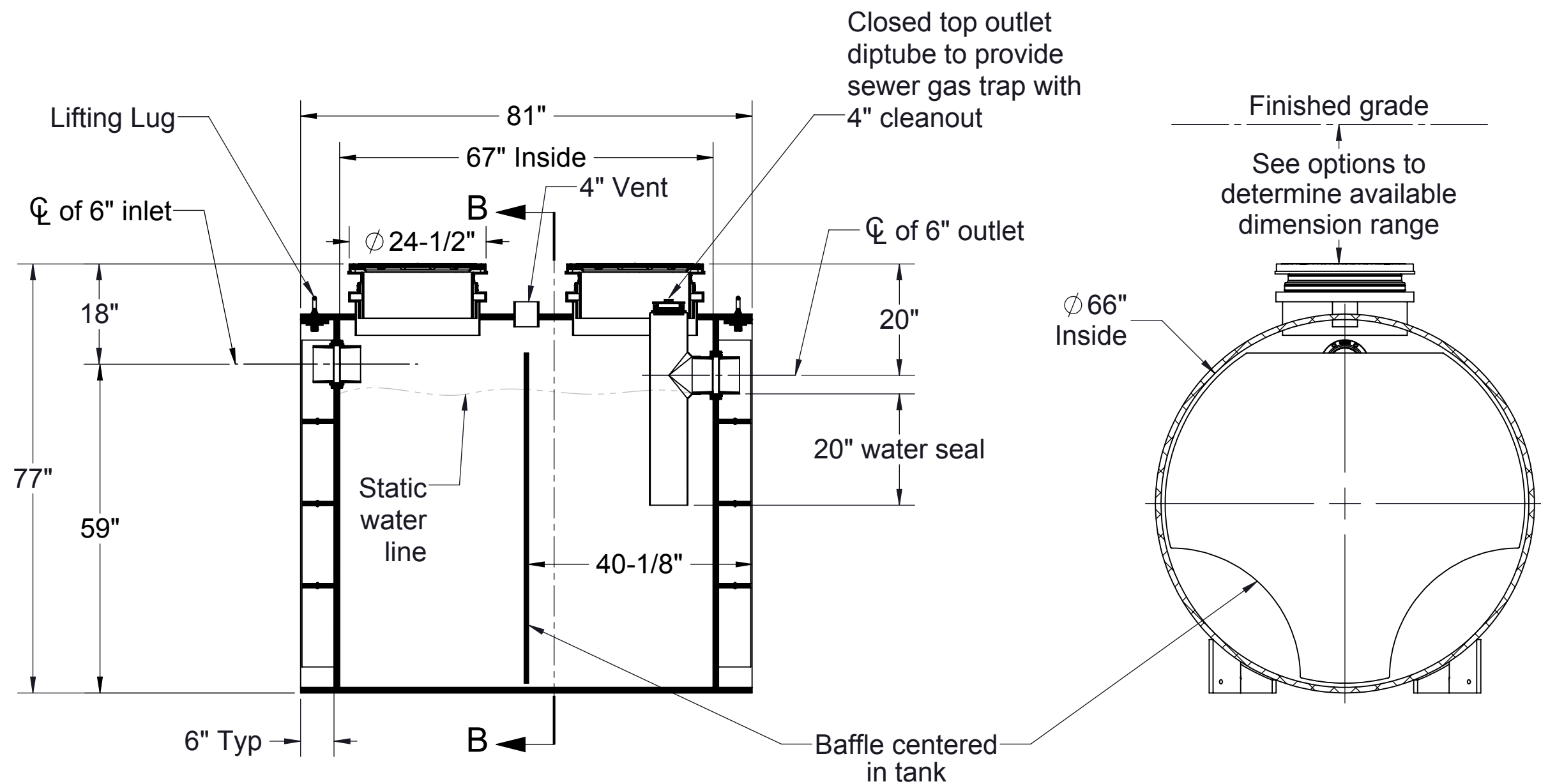
PROPRIETARY AND CONFIDENTIAL

THE INFORMATION CONTAINED IN THIS DRAWING IS THE SOLE PROPERTY OF STRIEM, LLC. ANY REPRODUCTION IN PART OR AS A WHOLE WITHOUT THE WRITTEN PERMISSION OF STRIEM, LLC. IS PROHIBITED.



TOP VIEW

ISOMETRIC VIEW



SECTION A-A

SECTION B-B

| | |
|---|----------------------|
| MODEL NUMBER: OS-750 | |
| DESCRIPTION: POLYETHYLENE OIL SEPARATOR 314 GPM 750 GALLON CAPACITY | |
| DWG BY: RS | DATE: 1/29/19 |
| REV: 0 | ECO: |

SPECIFICATION SHEET

Striem
3100 Brinkerhoff
Kansas City, KS 66115
Tel: 913-222-1500
Fax: 913-291-0457
www.striemco.com

Made in the U.S.A